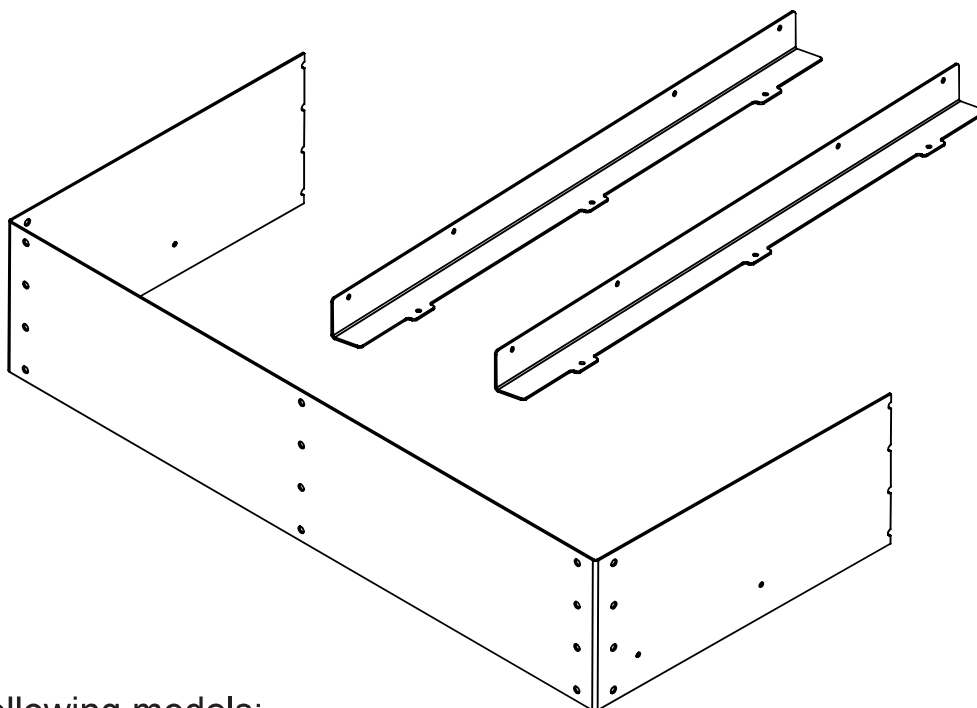
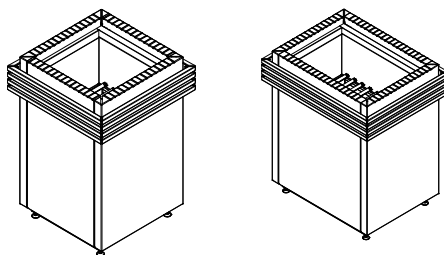


Qube

Heater railing BRACKET SET

QUBE-HSR1 / QUBE-HSR2

ASSEMBLY INSTRUCTIONS
English



Fits the following models:

QUBE-090 QUBE-105
QUBE-120 QUBE-150

EN

Table of Contents

1. About these instructions	2
2. Important Information for your Safety	3
2.1. Intended Use	3
2.2. General Safety Instructions	3
3. Scope of Delivery	4
4. Optional Accessories	4
5. Assembly	5
5.1. Mounting the Guardrail Holder	5
5.2. Mounting Wooden Parts on the Attachment Brackets	6
5.3. Mounting the Guardrail	7
6. Disposal	7

1. About these instructions

Read these assembly instructions carefully and keep them near the product. This way, you will be able to read information for your safety and for assembly of the kit at any time.

Symbols

In these assembly instructions, symbols and signal words are used which have the following meanings:

CAUTION!

This signal word warns you of damage to property.



This symbol indicates tips and useful information.

2. Important Information for your Safety

2.1. Intended Use

The QUBE HSR1 / QUBE HSR2 attachment set makes it possible to attach a wooden railing to the Qube sauna oven.

Any other form of use is considered to be improper use that is not in accordance with the designated purpose. Improper use can result in product damage and personal injury.

The QUBE-HSR1 attachment kit is suitable for the following guardrail models:

<i>Article no.</i>	<i>Description</i>	<i>Matching oven models</i>
QUBE-L1	Qube wooden guardrail (9, 10.5 kW) Lime	QUBE-090 / QUBE-105
QUBE-N1	Qube wooden guardrail (9, 10.5 kW) Nut	QUBE-090 / QUBE-105

The QUBE-HSR2 attachment kit is suitable for the following guardrail models:

<i>Article no.</i>	<i>Description</i>	<i>Matching oven models</i>
QUBE-L2	Qube wooden guardrail (12, 15 kW) Lime	QUBE-120 / QUBE-150
QUBE-N2	Qube wooden guardrail (12, 15 kW) Nut	QUBE-120 / QUBE-150

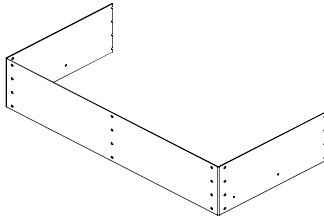
EN

2.2. General Safety Instructions

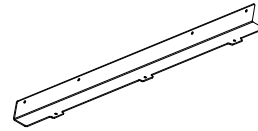
- Remove any leftover packaging from the attachment set. Otherwise this might ignite when the sauna oven/evaporator is operated.
- Assemble the guardrail holder and the guardrail with a standard screwdriver. If cordless screwdrivers are used, the product can be damaged.
- If you experience problems that are not dealt with in sufficient detail in the operating instructions, please contact your supplier for your own safety.

3. Scope of Delivery

1



2

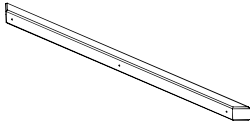


- 2 attachment brackets 1
- 2 guardrail holders 2
- 8 fillister head screws (M 3 x 6 mm A2)
- 36 wood screws (13 mm)

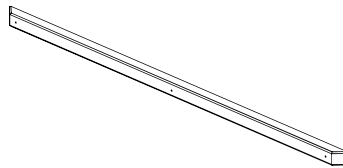
4. Optional Accessories

Wooden guardrail (QUBE-L2, QUBE-N2)

4



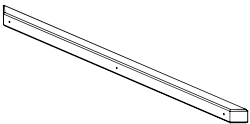
5



- 8 wooden strips, short 8 wooden strips, long

Wooden guardrail (QUBE-L1, QUBE-N1)

4



- 16 wooden strips, short

5. Assembly

CAUTION!

Damage to the Product

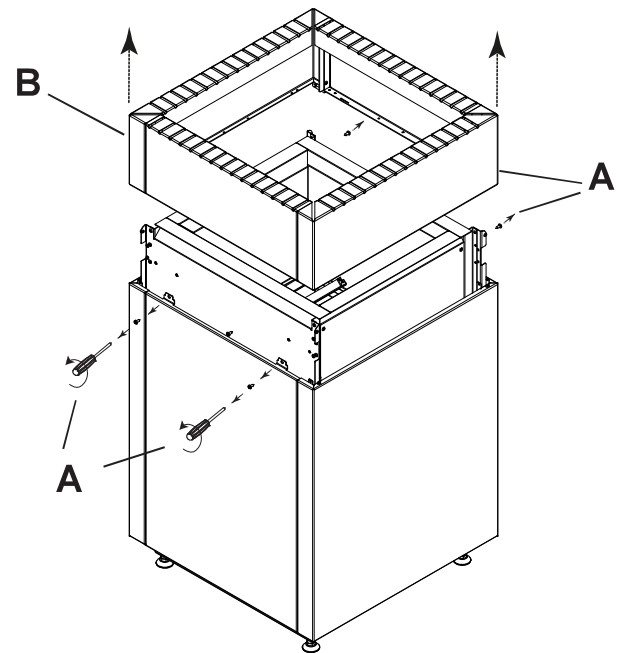
If cordless screwdrivers are used, the product can be damaged.

- Assemble the guardrail holder with a standard screwdriver.

5.1. Mounting the Guardrail Holder

Step 1

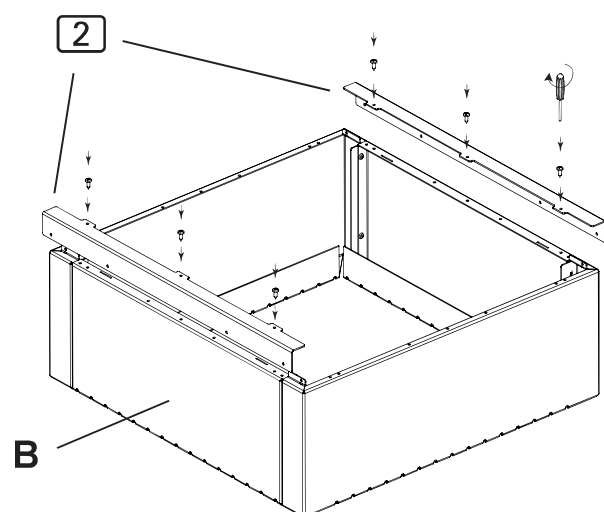
Loosen the **A** screws with a screwdriver. Remove the covering frame **B**.



Step 2

Turn the covering frame **B** over.

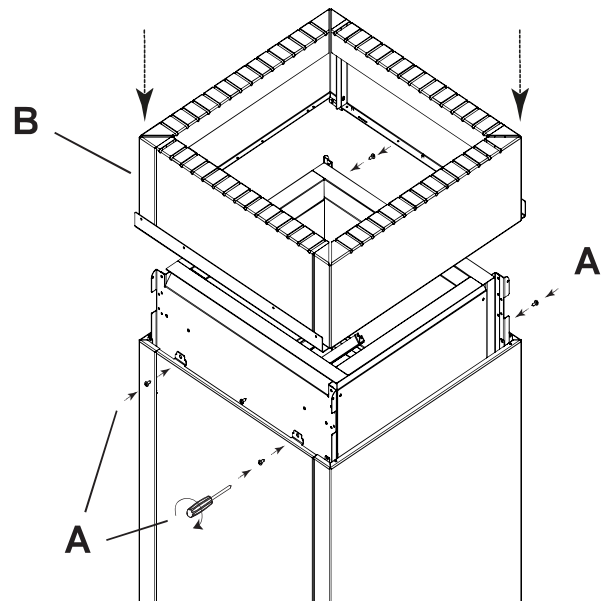
Assemble the two guardrail holders **2** with 3 fillister head screws each on the covering frame.



EN

Step 3

Mount the covering frame **B** again. Use the **A** screws.

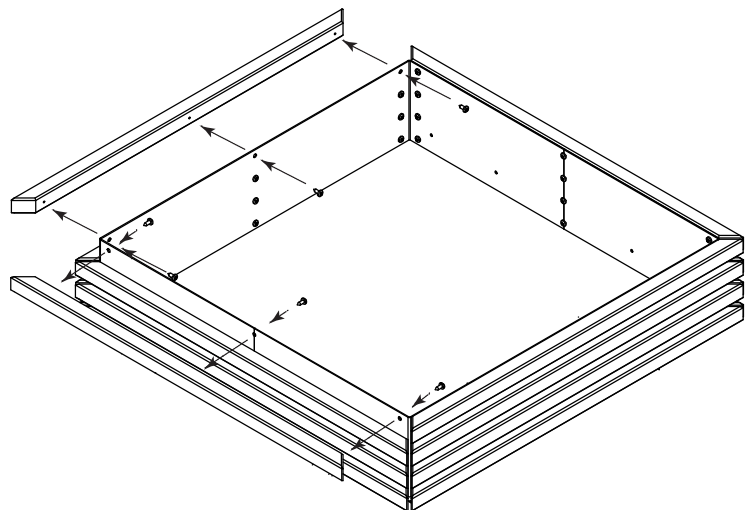
**5.2. Mounting Wooden Parts on the Attachment Brackets**

Use the enclosed wood screws.

Step 4

Place the two attachment brackets **1** next to each other so that they form a square / rectangle.

Screw the wooden strips **4** / **5** on the mounting bracket **1**. Use 3 wood screws for each wooden strip.



5.3. Mounting the Guardrail

CAUTION!

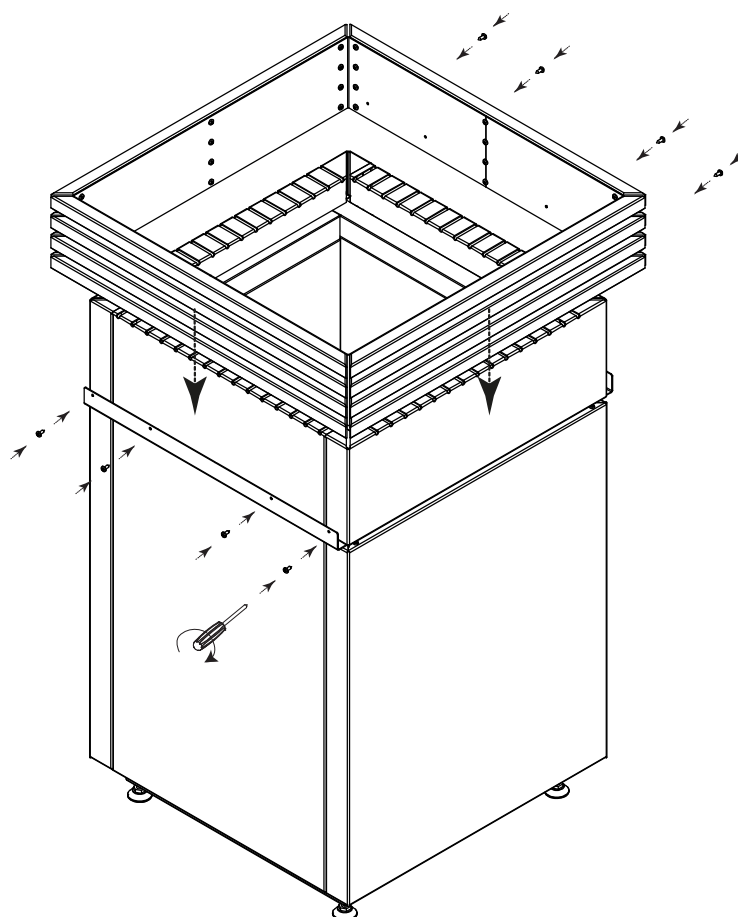
Damage to the Product

If cordless screwdrivers are used, the product can be damaged.

- Mount the guardrail with a standard screwdriver.

Step 5

Mount the guardrail on the attachment bracket. To do this, screw the guardrail from the front between the third and fourth wooden strip on to the attachment bracket. Use the enclosed fillister head screws for this.



EN

6. Disposal



- Dispose of the packaging materials in accordance with the applicable disposal regulations.
- Old products contain recyclable materials, but also harmful substances. Therefore you should not put your old product in the residual waste, but dispose of it in accordance with local regulations.



WORLD OF WELLNESS

sentiotec GmbH world of wellness Oberregauer Strasse 48 4844 Regau, Austria

T +43 (0) 7672/277 20-800 F +43 (0) 7672/277 20-801

E info@sentiotec.com www.sentiotec.com