

Sauna heater

Concept R mini

CP-RM-35 / 1-030-892: Concept R mini 3.5 kW

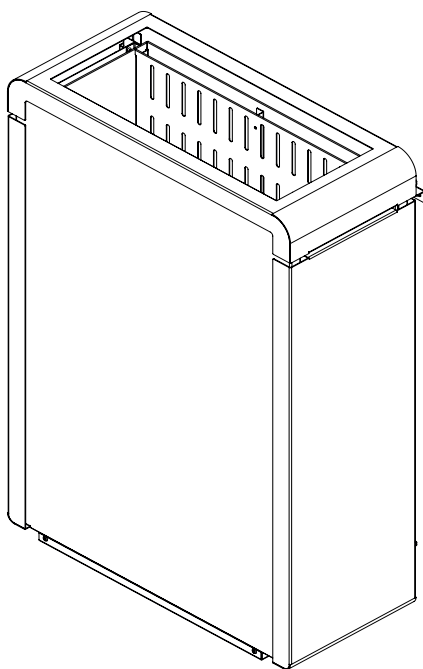
CP-RM-45 / 1-030-962: Concept R mini 4.5 kW

CP-RM-60 / 1-030-984: Concept R mini 6.0 kW

CP-RM-75 / 1-038-852: Concept R mini 7.5 kW

INSTRUCTIONS FOR INSTALLATION AND USE

English



EN

DE

FR

IT

NL

SV

CS

SL

FI

Table of Contents

1. About this instruction manual	4
2. Important information for your safety	5
2.1. Intended use	5
2.2. Safety information for the installer	6
2.3. Safety information for the user	7
3. Product description	9
3.1. Scope of delivery	9
3.2. Accessories	9
3.3. Product functions	9
4. Installation and connection	10
4.1. Installation location and sensor position	10
4.2. Safety distances	11
4.3. Installation on the cabin wall	12
4.4. Installation with foot (optional)	14
4.5. Connection diagram for 400 V 3N~	16
4.6. Connection diagram for 230 V 3~	16
4.7. Connection diagram for 230 V 1N~	17
4.8. Wiring diagrams	18
4.9. Electrical connection	19
5. Commissioning	20
5.1. Filling the stone container	20
5.2. Heating for the first time	21

6. Operation	22
6.1. Operating the sauna heater	22
6.2. Infusion	22
7. Maintenance	23
7.1. Extended periods of non-use	23
7.2. Cleaning the sauna heater	23
7.3. Changing the sauna stones	23
8. Disposal	24
9. Problem-solving by the installer	24
10. Dimensions	25
11. Technical data	26

1. About this instruction manual

Carefully read these instructions for installation and use, and keep them near the sauna. This ensures that you can refer to information about your safety and the operation at any time.



These installation and operating instructions can also be found in the downloads section of our website: www.sentiotec.com/downloads.

Symbols used for warning notices

In these instructions for installation and use, a warning notice located next to an activity indicates that this activity poses a risk. Always observe the warning notices. This prevents damage to property and injuries, which in the worst case may be fatal.

The warning notices contain keywords, which have the following meanings:



DANGER!

Serious or fatal injury will occur if this warning notice is not observed.



WARNING!

Serious or fatal injury can occur if this warning notice is not observed.



CAUTION!

Minor injuries can occur if this warning notice is not observed.

ATTENTION!

This keyword is a warning that damage to property can occur.

Other symbols



This symbol indicates tips and useful information.



Do not cover



Read the operating instructions

2. Important information for your safety

The Concept R mini sauna heater has been produced in accordance with the applicable safety rules and regulations. However, hazards may occur during use. Therefore adhere to the following safety information and the specific warning notices in the individual chapters.

2.1. Intended use

The Concept R mini sauna heater is intended solely for heating sauna cabins, in conjunction with a sauna control unit which does not include a remote start function.

The Concept R mini sauna heater can also be used with a sauna control unit with a remote start function, but only in conjunction with the optional safety shutdown feature.

The Concept R mini sauna heater can also be used in public saunas, but only in conjunction with the optional safety shutdown feature.

Any use exceeding this scope is considered improper use. Improper use can result in damage to the product, severe injuries or death.

2.2. Safety information for the installer

- Installing and connecting the sauna heater may only be performed when the power supply is disconnected.
- Installation may only be performed by a qualified electrician or similarly qualified person.
- A fully disconnecting all-pole isolating device compliant with overvoltage category III must be fitted on site.
- Always use silicone cables that are heat-resistant up to 150 °C to connect the sauna heater.
- Only install one sauna heater in the cabin. The Concept R mini sauna heater must not be used together with other sauna heaters in a sauna cabin.
- The roof and walls of the sauna cabin must be manufactured from low-resin, untreated or thermally treated wood, e.g. Nordic spruce, hemlock, pine or fir, or from laminated wooden materials. If laminated wooden materials are used, make sure that the adhesive used in them does not give off formaldehyde. If other materials than wood are used in the sauna cabin, these materials must be heat-resistant and corrosion-resistant and must not cause any negative effects on the health of the sauna users.
- The height of the sauna cabin must be at least 1.9 m.
- Observe the specifications on volumes and on ventilation of the sauna cabin in chapter **11. Technical data**.
- When positioning the sauna heater, observe the minimum safety distances (see chapter **4.2. Safety distances**).
- Also comply with the regulations applicable at the installation location.
- For your own safety, consult your supplier in the event of problems that are not explained in sufficient detail in the installation instructions.

2.3. Safety information for the user

- The device must not be used by children under 8 years of age.
- The device may only be used by children over 8 years of age, by persons with limited psychological, sensory or mental capabilities or by persons with lack of experience/knowledge under the following conditions:
 - They are supervised.
 - They have been shown how to use the device safely and are aware of the hazards that could occur.
- Children must not play with the device.
- Children under 14 years of age may only clean the device if they are supervised.
- For health reasons, do not use the sauna when under the influence of alcohol, medication or drugs.
- Never operate the sauna heater without sauna stones, as this can cause fires.

-
- Make sure that no flammable objects have been placed on the sauna heater before the sauna control unit is switched on.
 - Heat up the sauna heater for half an hour BEFORE using the sauna for the first time. Do NOT remain in the sauna cabin during this period. Then ventilate the sauna cabin well (see **5.2. Heating for the first time** on page 21).
 - Never touch the sauna heater while it is operating. The surfaces of the sauna heater and sauna stones become extremely hot.
 - For your own safety, consult your supplier in the event of problems that are not described in sufficient detail in the user instructions.

3. Product description

3.1. Scope of delivery

- Sauna heater
- Instructions for installation and use

3.2. Accessories

<i>Accessories</i>	<i>Item number</i>
Set of brackets for the Concept R mini heater railing	CP-RM-HSR-4S / 1-049-506
Wood railing for Concept R mini, lime wood	CP-RM-L-4S / 1-049-706
Wood railing for Concept R mini, walnut	CP-RM-N-4S / 1-049-707
Foot for Concept R mini heater	CP-RM-SF / 1-043-964
Foot cover for Concept R mini, lime wood	CP-RM-CSF-L / 1-041-482
Foot cover for Concept R mini, walnut	CP-RM-CSF-N / 1-041-483

EN

3.3. Product functions

The Concept R mini sauna heater is a Finnish sauna heater and makes it possible to produce a typical Finnish sauna climate of 80 to 100 °C with an air humidity of approximately 10%.

4. Installation and connection

Take the following points into account when positioning and connecting the sauna heater:



WARNING!

Danger of electric shock

- The sauna heater may only be installed and connected when the power supply is disconnected.
-
- The electrical connection may only be performed by a qualified electrician or similarly qualified person.
 - A fully disconnecting all-pole isolating device compliant with overvoltage category III must be fitted on site.
 - The Concept R mini sauna heater is a wall-mounted heater. Before starting the heater, check that the heater has been firmly installed on the mounting rail.

4.1. Installation location and sensor position

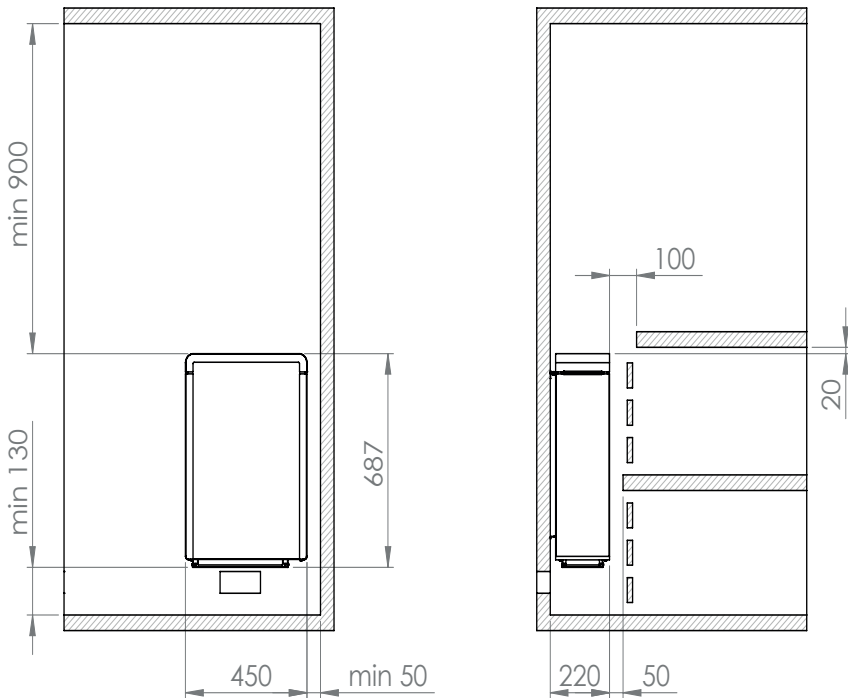
Position the heater centrally in front of the air intake opening on the cabin wall. Observe the safety distances to the cabin wall specified in **Fig. 1**.

Install the temperature sensor with excess temperature cut-out to the cabin wall above the centre of the sauna heater. Maintain a distance of 15 cm to the sauna cabin roof.

4.2. Safety distances

Observe the minimum safety distances specified in **Fig. 1**.

Fig. 1 Safety distances for the
 Concept R combi 3.5 kW, 4.5 kW, 6.0 kW and 7.5 kW
 (CP-RM-35 / CP-RM-45 / CR-RM-60 / CP-RM-75)
 Dimensions in mm



4.3. Installation on the cabin wall

Observe **Fig. 1**, **Fig. 2**, **Fig. 3** and **Fig. 4** (page 11, 12, 13).

1. Attach the mounting rail **1** to the wall horizontally using the wood screws supplied **2**. Observe the minimum distances for the heater shown in Fig. 4.
2. Suspend the heater **3** from the mounting rail from above, moving it downwards. Make sure that the heater is flush with the wall.
3. Secure the heater **3** using the lock screws supplied **4** on the mounting rail **1**.



WARNING!

Risk of fire

- To fix the heater in place and secure it against slippage, use the supplied lock screw 4 for attachment.

Fig. 2 Position of the mounting rail for Concept R mini
Dimensions in mm

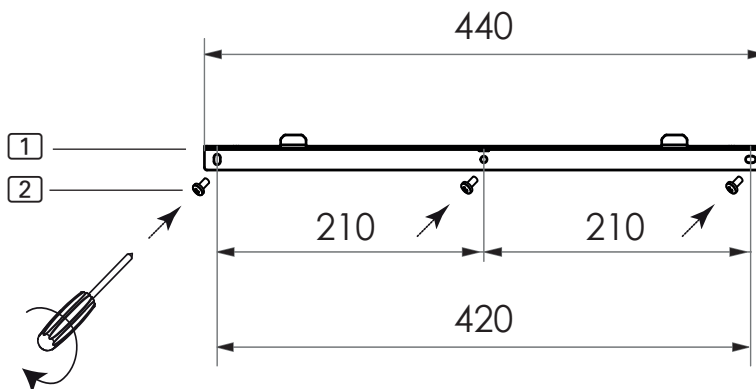
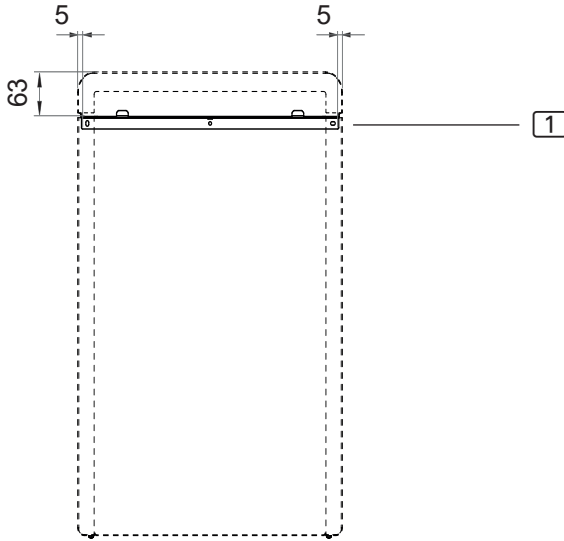
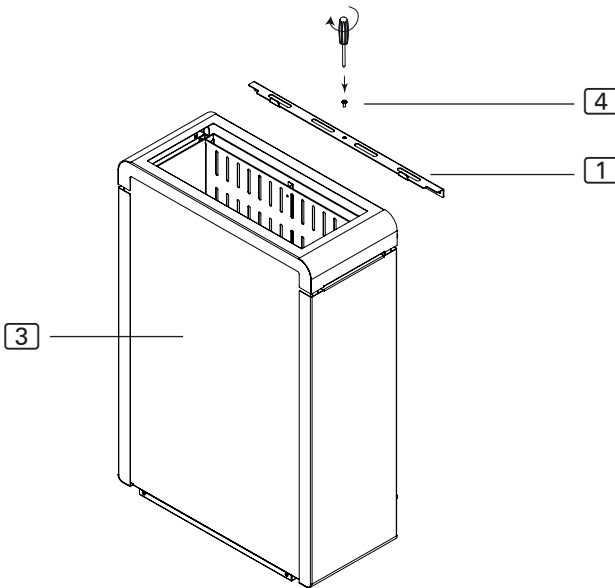


Fig. 3 Position of the mounting rail for Concept R mini
Dimensions in mm



EN

Fig. 4 Securing the Concept R mini (wooden railing)



4.4. Installation with foot (optional)

Observe **Fig. 1**, **Fig. 5**, **Fig. 6** (page 11, 14, 15).

1. Attach the foot **1** using the screws enclosed **2** to the bottom of the heater. Please note that the round recess is on the evaporator side.
2. Affix the foot using the screws enclosed to the floor (**Fig. 6**). Depending on the floor conditions, use the enclosed wood screws or anchors with the corresponding screws. Observe the minimum distances for the heater shown in **Fig. 1**.



WARNING!

Risk of fire

- Affix the heater with the foot on a sufficiently solid substrate, e.g. on the substrate onto which the sauna cabin is built – NOT on the floor covering of the sauna.

Fig. 5 Installing the foot on the Concept R mini

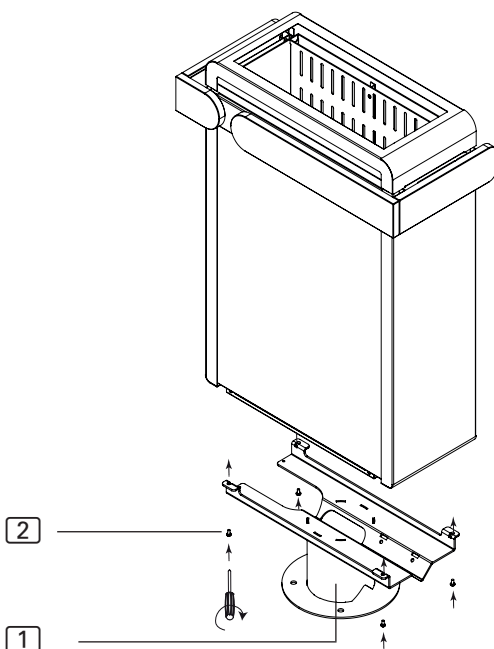
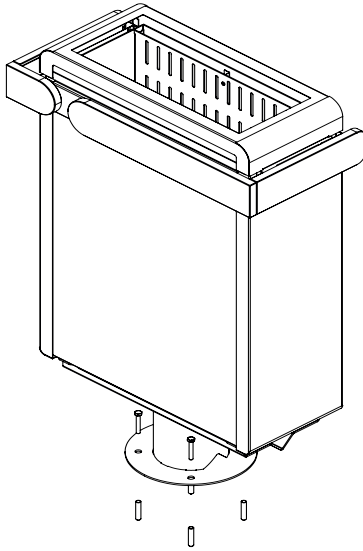
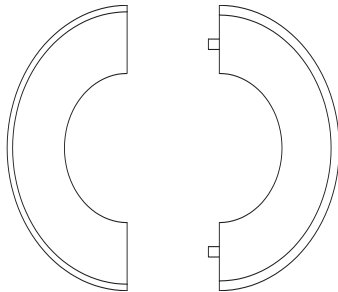
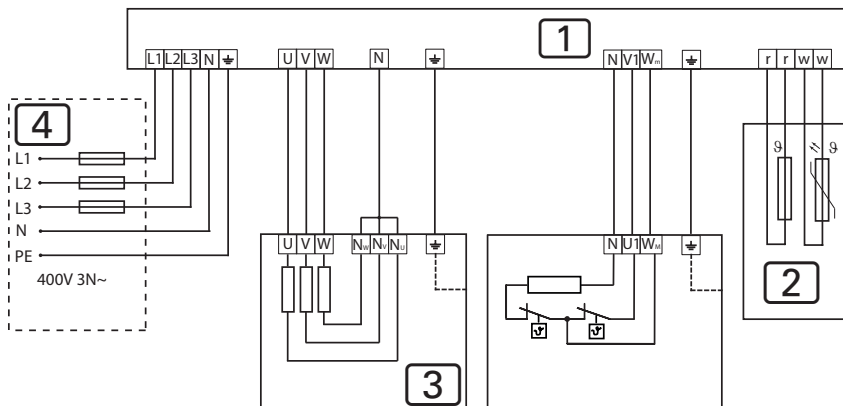


Fig. 6 Fixing the Concept R mini with foot in place**Fig. 7** Installing the wooden cover for the foot (optional)

Place the two halves of the cover ring around the foot and press them together firmly to cover the screws of the foot.

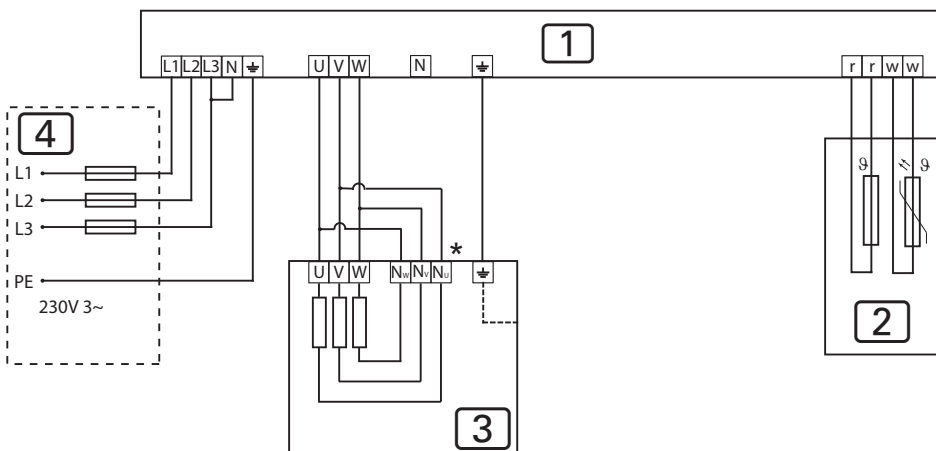
4.5. Connection diagram for 400 V 3N~

Fig. 8 Connection diagram for the Concept R mini
3.5 kW, 4.5 kW, 6.0 kW and 7.5 kW
(CP-RM-35 / CP-RM-45 / CR-RM-60 / CP-RM-75)



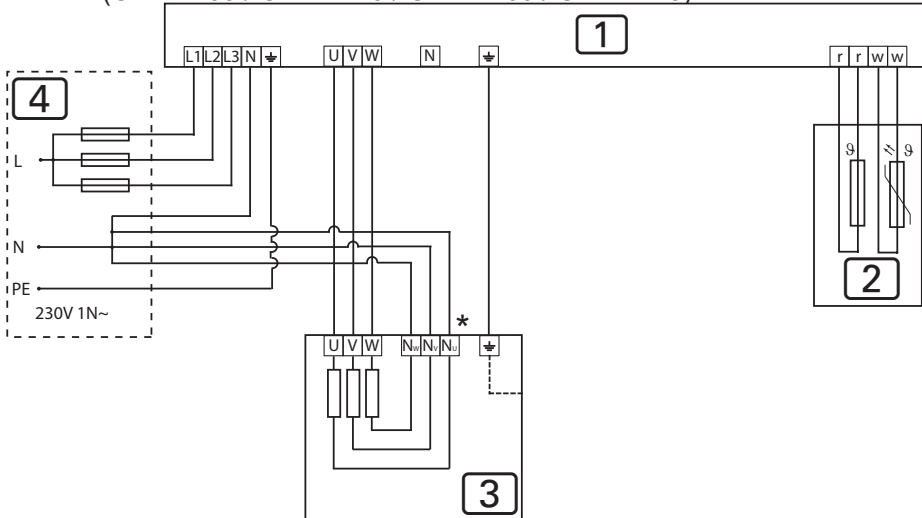
4.6. Connection diagram for 230 V 3~

Fig. 9 Connection diagram for the Concept R mini
3.5 kW, 4.5 kW and 6.0 kW
(CP-RM-35 / CP-RM-45 / CR-RM-60)



4.7. Connection diagram for 230 V 1N~

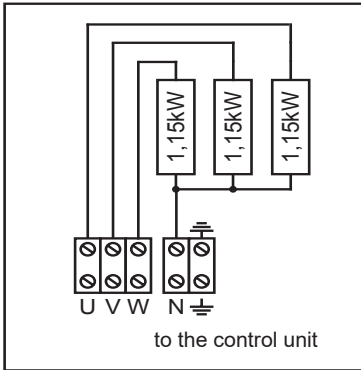
Fig. 10 Connection diagram for the Concept R mini
 3.5 kW, 4.5 kW, 6.0 kW and 7.5 kW
 (CP-RM-35 / CP-RM-45 / CR-RM-60 / CP-RM-75)



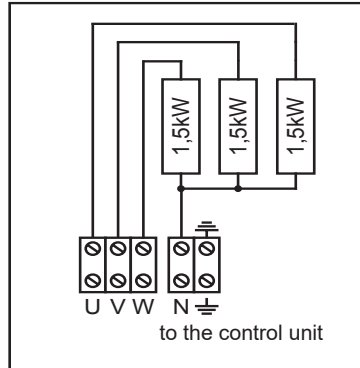
EN

- 1 Sauna control unit
- 2 Temperature sensor with excess temperature cut-out
- 3 Sauna heater
- 4 Power supply
- * Remove the copper bridge

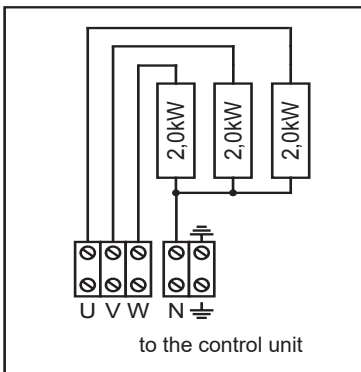
4.8. Wiring diagrams



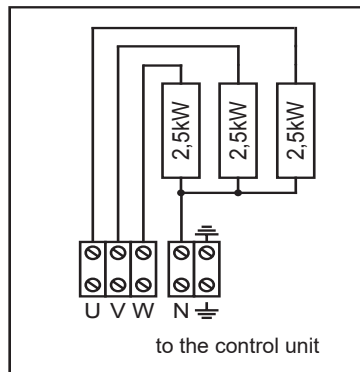
CP-RM-35
3.45 kW



CP-RM-45
4.5 kW



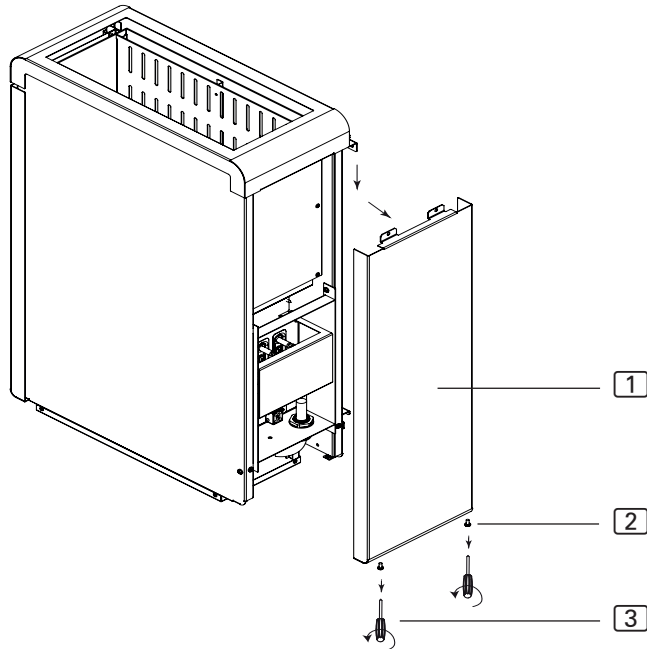
CP-RM-60
6.0 kW



CP-RM-75
7.5 kW

4.9. Electrical connection

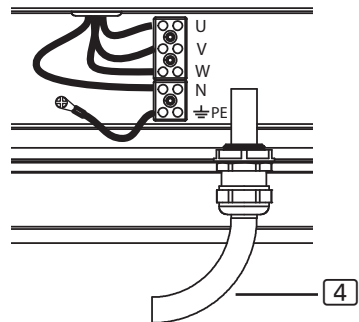
1. Unscrew the screws **2** and **3** with a screwdriver.
2. Remove the cover plate **1**.



EN

Connecting the Concept R 3.5 kW, 4.5 kW, 6.0 kW and 7.5 kW (CP-RM-35 / CP-RM-45 / CR-RM-60 / CP-RM-75)

1. Guide the connection cable through the feed-through **4**.
2. Connect the connectors of the connection cable to the U – V – W – N – PE terminals of the sauna heater and to the applicable sauna control unit terminals. Observe the installation instructions for the sauna control unit when doing so.
3. Reattach the cover panel **1** to the heater.



5. Commissioning

5.1. Filling the stone container

**WARNING!*****Risk of fire due to overheating***

If the sauna heater is used without sauna stones, the cabin walls will become extremely hot. This could cause fires.

- NEVER operate the sauna heater without the sauna stones.
-

The amount of stones suited to your heater can be found in chapter **11. Technical data** (see page **26**).

1. Wash the stones thoroughly using water and a brush before use. Do not use any cleaning additives.
2. Before filling the heater with the sauna stones, check them for foreign objects and remove any remaining packaging.
3. Place the stones in the stone container. Stack the sauna stones loosely so that air can flow through the gaps.
4. Make sure that the sauna stones do not protrude beyond the edge of the stone container.

5.2. Heating for the first time



CAUTION!

Formation of smoke and odours when heating up for the first time

Materials used during the manufacturing process will be present on the new heating elements. These evaporate when the sauna heater is heated up for the first time. This produces smoke and an unpleasant odour. Breathing in the fumes or smoke can be harmful to your health.

Perform the following steps when **operating the sauna heater for the first time** and if the **heating elements for the sauna heater have been replaced**. This prevents damage to health due to the fumes and smoke produced when heating for the first time.

1. Select the highest possible temperature on the sauna control unit.
2. Heat up the sauna heater for half an hour.
Do NOT remain in the sauna cabin during this period.
3. Allow the sauna cabin to ventilate thoroughly after heating for the first time.
4. If no smoke or odours form the next time the sauna heater is heated, you can start to use the sauna.
If smoke or odour is produced again, leave the sauna cabin immediately and repeat the initial heating up process followed by ventilation.

6. Operation

**WARNING!*****Risk of fire***

Combustible objects that are placed on the heater will ignite and cause fires.

- NEVER place combustible objects on the sauna heater.
 - Make sure that NO flammable objects have been placed on the heater before operating it.
-

6.1. Operating the sauna heater

A sauna control unit is used to operate the sauna heater. For information on how to operate the sauna control unit, read the operating instructions for the device used. Please note that the Concept R mini sauna heater is only suitable for use with sauna control units that have a remote start function.

6.2. Infusion

At the end of the sauna session, you can pour an infusion of water over the stones. Pour water over the stones using a sauna ladle. The water evaporates and the humidity in the sauna cabin increases.

When pouring water over the stones, observe the following points:

- Only use tap water. Sea water, hard water and chlorinated water can damage the sauna heater.
- Only use fragrances and essential oils that are suitable for use in saunas. Follow the manufacturer's instructions on the packaging of the scented substance.
- Do not pour the water onto the stones too quickly. Only this way will all the water evaporate completely.

7. Maintenance

7.1. Extended periods of non-use

Moisture can accumulate in the heating rods in humid ambient conditions or during long periods of non-use. This is a physical process and not a manufacturing fault. Accumulation of moisture in the heating rods can lead to the FI circuit breaker being triggered. In this case, contact an electrician to correct the fault (see chapter **9. Problem-solving by the installer**).



Heat the sauna heater for approximately 15 minutes every 5 to 6 weeks. This prevents moisture from building up on the heating rods during extended periods of non-use.

7.2. Cleaning the sauna heater

Make sure that the ventilation openings are free of lint and dust. This prevents the air circulation in the sauna heater from being restricted and prevents the device from overheating.

7.3. Changing the sauna stones

Sauna stones are subject to stress by the water poured on them, and by large fluctuations in temperature which occur during use. The sauna stones can become weak and brittle.

Check the sauna stones at regular intervals and replace the stones at least once a year.



WARNING!

Risk of fire due to overheating

If the sauna heater is used without sauna stones, the cabin walls will become extremely hot. This could cause fires.

- NEVER operate the sauna heater without the sauna stones.
-

1. Remove the old sauna stones.
2. Clear the stone container of limescale deposits, dust and other contamination.
3. Wash the stones thoroughly using water and a brush before use. Do not use any cleaning additives.
4. Before filling the heater with the sauna stones, check them for foreign objects and remove any remaining packaging.
5. Place the stones in the stone container. Stack the sauna stones loosely so that air can flow through the gaps.
6. Make sure that the sauna stones do not protrude beyond the edge of the stone container.

8. Disposal



- Please dispose of packaging materials in accordance with the applicable disposal regulations.
- Used appliances contain reusable materials as well as hazardous substances. Therefore, do not dispose of your used appliance with household waste, but rather do so in accordance with the locally applicable regulations.

9. Problem-solving by the installer

Baking out of the heating rods

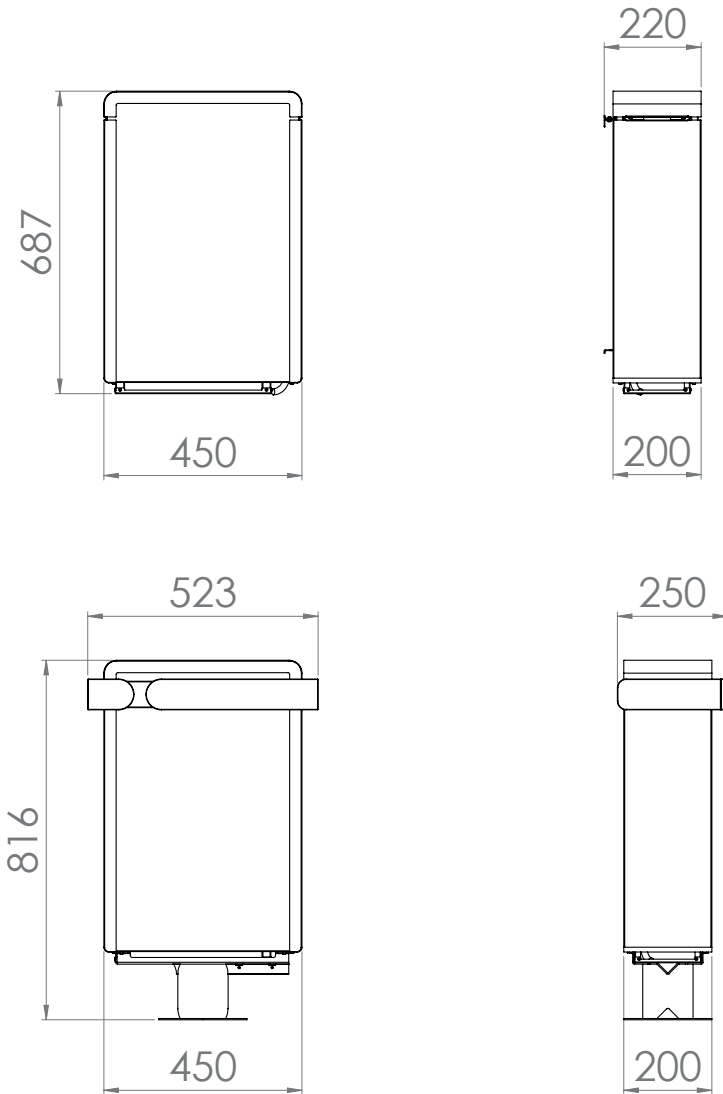
Moisture can accumulate in the heating rods in humid ambient conditions or during long periods of non-use. This is a physical process and not a manufacturing fault. Under certain circumstances, accumulation of moisture in the heating rods can lead to the FI circuit breaker being triggered.

In this case, it is necessary to bake out the sauna heater under the supervision of an electrician. To do this, the protective function of the FI circuit breaker must be switched off. The baking out procedure takes approximately 10 minutes. The safety function of the FI circuit breaker must subsequently be reactivated.

If the problem persists, consult your supplier.

10. Dimensions

Fig. 11 Dimensions of Concept R mini 3.5 kW, 4.5 kW, 6.0 kW and 7.5 kW (CP-RM-35 / CP-RM-45 / CR-RM-60 / CP-RM-75)
Dimensions in mm



11. Technical data

The dimensions can be found in **Fig. 11**.

<i>Item number</i>	<i>Power rating [kW]</i>	<i>Cabin volume [m³]</i>	<i>Minimum size of ventilation opening [mm]</i>	<i>Weight without stones [kg]</i>
CP-RM-35	3.45	3 – 5	350 x 20	19.5
CP-RM-45	4.5	4 – 6	350 x 25	19.5
CP-RM-60	6.0	5 – 8	350 x 30	19.5
CP-RM-75	7.5	7 – 11	350 x 35	19.5

<i>Item number</i>	<i>Stone weight [kg]</i>	<i>Fuse [A]</i>	<i>Supply voltage</i>
CP-RM-35	approx. 15	3 x 10	400 V AC 3N~ 50/60 Hz 230 V AC 1N~ 50/60 Hz 230 V AC 3~ 50/60 Hz
CP-RM-45	approx. 15	3 x 10	400 V AC 3N~ 50/60 Hz 230 V AC 1N~ 50/60 Hz 230 V AC 3~ 50/60 Hz
CP-RM-60	approx. 15	3 x 10	400 V AC 3N~ 50/60 Hz 230 V AC 1N~ 50/60 Hz 230 V AC 3~ 50/60 Hz
CP-RM-75	approx. 15	3 x 16	400 V AC 3N~ 50/60 Hz 230 V AC 1N~ 50/60 Hz

<i>Item number</i>	<i>Heating rods</i>
CP-RM-35	3 x CPRM115 (1-043-621)
CP-RM-45	3 x SCA150 (1-028-518)
CP-RM-60	3 x SCA200 (1-028-503)
CP-RM-75	3 x CPRM250 (1-042-346)



Saunaofen

Concept R mini

CP-RM-35 / 1-030-892: Concept R mini 3,5 kW

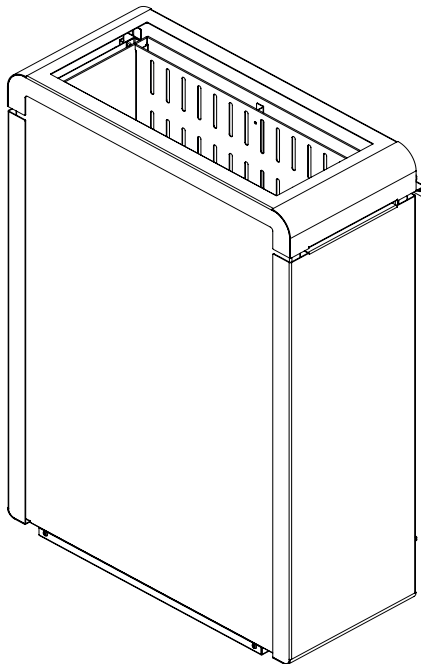
CP-RM-45 / 1-030-962: Concept R mini 4,5 kW

CP-RM-60 / 1-030-984: Concept R mini 6,0 kW

CP-RM-75 / 1-038-852: Concept R mini 7,5 kW

MONTAGE- UND GEBRAUCHSANWEISUNG Deutsch

DE



Inhaltsverzeichnis

1. Zu dieser Anleitung	4
2. Wichtige Hinweise zu Ihrer Sicherheit	5
2.1. Bestimmungsgemäßer Gebrauch	5
2.2. Sicherheitshinweise für den Monteur	6
2.3. Sicherheitshinweise für den Anwender	7
3. Produktbeschreibung	9
3.1. Lieferumfang	9
3.2. Zubehör	9
3.3. Produktfunktionen	9
4. Montage und Anschluss	10
4.1. Aufstellort und Fühlerposition	10
4.2. Sicherheitsabstände	11
4.3. Montage an der Kabinenwand	12
4.4. Montage mit Standfuß (optional)	14
4.5. Anschlussplan für 400V 3N~	16
4.6. Anschlussplan für 230V 3~	16
4.7. Anschlussplan für 230V 1N~	17
4.8. Verdrahtungsschemen	18
4.9. Elektrischer Anschluss	19
5. Inbetriebnahme	20
5.1. Steinebehälter füllen	20
5.2. Erstmaliges Aufheizen	21

6. Bedienung	22
6.1. Saunaofen bedienen.....	22
6.2. Aufgießen.....	22
7. Wartung	23
7.1. Längere Betriebspausen.....	23
7.2. Saunaofen reinigen.....	23
7.3. Saunasteine wechseln.....	23
8. Entsorgung	24
9. Problemlösung durch den Monteur	24
10. Abmessungen	25
11. Technische Daten	26

1. Zu dieser Anleitung

Lesen Sie diese Montage- und Gebrauchsanweisung gut durch und bewahren Sie sie in der Nähe der Sauna auf. So können Sie jederzeit Informationen zu Ihrer Sicherheit und zur Bedienung nachlesen.



Sie finden diese Montage- und Gebrauchsanweisung auch im Downloadbereich unserer Webseite auf www.sentiotec.com/downloads.

Symbole in Warnhinweisen

In dieser Montage- und Gebrauchsanweisung ist vor Tätigkeiten, von denen eine Gefahr ausgeht, ein Warnhinweis angebracht. Befolgen Sie diese Warnhinweise unbedingt. So vermeiden Sie Sachschäden und Verletzungen, die im schlimmsten Fall sogar tödlich sein können.

In den Warnhinweisen werden Signalwörter verwendet, die folgende Bedeutungen haben:



GEFAHR!

Wenn Sie diesen Warnhinweis nicht beachten, sind Tod oder schwere Verletzungen die Folge.



WARNUNG!

Wenn Sie diesen Warnhinweis nicht beachten, können Tod oder schwere Verletzungen die Folge sein.



VORSICHT!

Wenn Sie diesen Warnhinweis nicht befolgen, können leichte Verletzungen die Folge sein.

ACHTUNG!

Dieses Signalwort warnt Sie vor Sachschäden.

Andere Symbole



Dieses Symbol kennzeichnet Tipps und nützliche Hinweise.



Nicht abdecken!



Bedienungsanleitung lesen

2. Wichtige Hinweise zu Ihrer Sicherheit

Der Saunaofen Concept R mini ist nach anerkannten sicherheitstechnischen Regeln gebaut. Dennoch können bei der Verwendung Gefahren entstehen. Befolgen Sie deshalb die folgenden Sicherheitshinweise und die speziellen Warnhinweise in den einzelnen Kapiteln.

2.1. Bestimmungsgemäßer Gebrauch

Der Saunaofen Concept R mini darf nur zur Erwärmung von Saunakabinen in Kombination mit einer Saunasteuerung ohne Fernstartfunktion verwendet werden.

Nur in Kombination mit der optional erhältlichen Sicherheitsabschaltung darf der Saunaofen Concept R mini auch mit einer Saunasteuerung, die über eine Fernstartfunktion verfügt, betrieben werden.

Nur in Kombination mit der optional erhältlichen Sicherheitsabschaltung darf der Saunaofen Concept R mini auch in öffentlichen Saunen eingesetzt werden.

Jeder darüber hinausgehende Gebrauch gilt als nicht bestimmungsgemäß. Nicht bestimmungsgemäßer Gebrauch kann zur Beschädigung des Produkts, zu schweren Verletzungen oder Tod führen.

2.2. Sicherheitshinweise für den Monteur

- Montage- und Anschlussarbeiten am Saunaofen dürfen nur im spannungsfreien Zustand durchgeführt werden.
- Die Montage darf nur durch eine Elektrofachkraft oder eine vergleichsweise qualifizierte Person ausgeführt werden.
- Es ist bauseits eine allpolige Trennvorrichtung mit voller Abschaltung entsprechend der Überspannungskategorie III vorzusehen.
- Verwenden Sie zum Anschluss des Saunaofens ausschließlich bis 150 °C temperaturbeständige Silikonleitungen.
- Installieren Sie nur einen Saunaofen in der Kabine. Der Saunaofen Concept R mini darf nicht gemeinsam mit anderen Saunaofen in einer Saunakabine verwendet werden.
- Decken und Wände der Saunakabine sind aus harzarmen, unbehandelten oder thermisch behandelten Hölzern, z.B. nordischer Fichte, Hemlock, Kiefer oder Tanne, oder aus Holzlagen-Werkstoffen herzustellen. Bei Verwendung von Holzlagen-Werkstoffen ist darauf zu achten, dass deren Klebstoffe kein Formaldehyd abgeben. Werden andere Werkstoffe als Holz in der Saunakabine eingesetzt, müssen diese Materialien hitze- und korrosionsbeständig sein und dürfen keine negativen Auswirkungen auf die Gesundheit der Saunagäste haben.
- Die Höhe der Saunakabine muss mindestens 1,9 m betragen.
- Beachten Sie die Vorgaben zum Volumen und zur Belüftung der Saunakabine in Kapitel 11. **Technische Daten**.
- Beachten Sie beim Aufstellen des Saunofens die minimalen Sicherheitsabstände (siehe Kapitel 4.2. **Sicherheitsabstände**).
- Beachten Sie auch die örtlichen Bestimmungen am Aufstellort.
- Bei Problemen, die in den Montageanweisungen nicht ausführlich genug behandelt werden, wenden Sie sich zu Ihrer eigenen Sicherheit an Ihren Lieferanten.

2.3. Sicherheitshinweise für den Anwender

- Das Gerät darf nicht von Kindern unter 8 Jahren verwendet werden.
- Das Gerät darf von Kindern über 8 Jahren, von Personen mit verringerten psychischen, sensorischen oder mentalen Fähigkeiten und von Personen mit Mangel an Erfahrung und Wissen unter folgenden Bedingungen verwendet werden:
 - wenn sie beaufsichtigt werden.
 - wenn ihnen die sichere Verwendung gezeigt wurde und sie die Gefahren, die entstehen können, verstehen.
- Kinder dürfen nicht mit dem Gerät spielen.
- Kinder unter 14 Jahren dürfen das Gerät nur reinigen, wenn sie beaufsichtigt werden.
- Wenn Sie unter dem Einfluss von Alkohol, Medikamenten oder Drogen stehen, verzichten Sie aus gesundheitlichen Gründen auf das Saunabad.
- Nehmen Sie den Saunaofen niemals ohne Saunasteine in Betrieb, da dies Brände verursachen kann.
- Stellen Sie sicher, dass keine brennbaren Gegenstände auf dem Saunaofen liegen, bevor Sie die Saunasteuerung einschalten.

- Heizen Sie VOR dem ersten Saunabad den Saunaofen für eine halbe Stunde auf. Halten Sie sich während dieser Zeit NICHT in der Saunkabine auf. Lüften Sie anschließend die Saunakabine gut durch (siehe **5.2. Erstmaliges Aufheizen** auf Seite 21).
- Berühren Sie niemals den Saunaofen während des Betriebs. Die Oberfläche des Saunaofens und die Saunasteine werden sehr heiß.
- Bei Problemen, die in der Gebrauchsanweisung nicht ausführlich genug behandelt werden, wenden Sie sich zu Ihrer eigenen Sicherheit an Ihren Lieferanten.

3. Produktbeschreibung

3.1. Lieferumfang

- Saunaofen
- Montage- und Gebrauchsanweisung

3.2. Zubehör

<i>Zubehör</i>	<i>Artikelnummer</i>
Halterungsset für Ofenreling Concept R mini	CP-RM-HSR-4S / 1-049-506
Holzreling Concept R mini Linde	CP-RM-L-4S / 1-049-706
Holzreling Concept R mini Nuss	CP-RM-N-4S / 1-049-707
Standfuß für Concept R mini	CP-RM-SF / 1-043-964
Abdeckung Standfuß Concept R mini Linde	CP-RM-CSF-L / 1-041-482
Abdeckung Standfuß Concept R mini Nuss	CP-RM-CSF-N / 1-041-483

DE

3.3. Produktfunktionen

Der Saunaofen Concept R mini ist ein finnischer Saunaofen und ermöglicht die Erzeugung des für die finnische Sauna typischen Saunaklimas von 80 bis 100 °C bei einer Luftfeuchtigkeit von ca. 10 %.

4. Montage und Anschluss

Berücksichtigen Sie folgende Punkte beim Aufstellen und beim Anschluss des Saunaofens:



WARNUNG!

Stromschlag-Gefahr

- Führen Sie Montage- und Anschlussarbeiten am Saunaofen nur im spannungsfreien Zustand durch.
-
- Der elektrische Anschluss darf nur durch eine Elektrofachkraft oder eine vergleichsweise qualifizierte Person ausgeführt werden.
 - Es ist bauseits eine allpolige Trennvorrichtung mit voller Abschaltung entsprechend der Überspannungskategorie III vorzusehen.
 - Der Saunaofen Concept R mini ist ein Wandofen. Der feste Sitz des Ofens auf der Montageleiste ist vor der Inbetriebnahme zu überprüfen.

4.1. Aufstellort und Fühlerposition

Montieren Sie den Ofen mittig vor die Lufteintrittsöffnung an der Kabinenwand. Halten Sie dabei die in **Abb.1** angegebenen Sicherheitsabstände zur Kabinenwand ein.

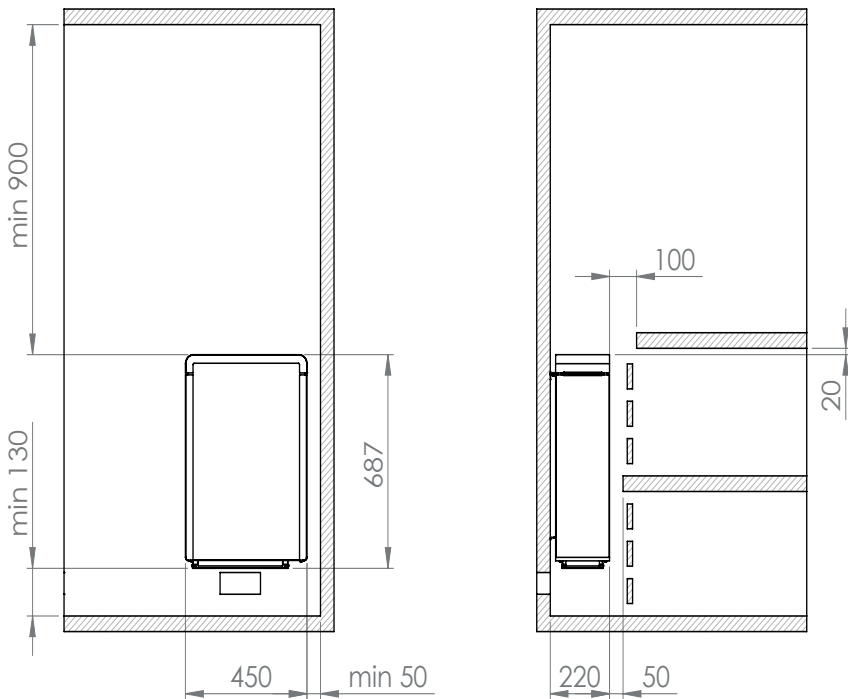
Montieren Sie den Temperaturfühler mit Übertemperatur-Sicherung an der Kabinenwand oberhalb der Mitte des Saunaofens. Halten Sie einen Abstand von 15 cm zur Kabinendecke ein.

4.2. Sicherheitsabstände

Beachten Sie die in der **Abb.1** angegebenen minimalen Sicherheitsabstände.

Abb.1 Sicherheitsabstände

Concept R mini 3,5 kW, 4,5 kW, 6,0 kW und 7,5 kW
(CP-RM-35 / CP-RM-45 / CR-RM-60 / CP-RM-75)
Maße in mm



4.3. Montage an der Kabinenwand

Beachten Sie die **Abb. 1**, **Abb. 2**, **Abb. 3** und **Abb. 4** (Seite 11, 12, 13).

1. Befestigen Sie die Montageleiste **1** waagrecht mit den beiliegenden Holzschrauben **2** an der Wand. Beachten Sie dabei die Mindestabstände des Ofens in Abb. 1.
2. Hängen Sie den Ofen **3** von oben nach unten an der Montageleiste ein. Achten Sie dabei auf den bündigen Sitz des Ofens.
3. Sichern Sie den Ofen **3** mittels beiliegender Sicherungsschraube **4** auf der Montageleiste **1**.



WARNUNG!

Brandgefahr

- Um den Ofen zu fixieren und gegen Verrutschen zu sichern, befestigen Sie diesen mit der beiliegenden Sicherungsschraube 4.

Abb.2 Montageleiste Concept R mini
Maße in mm

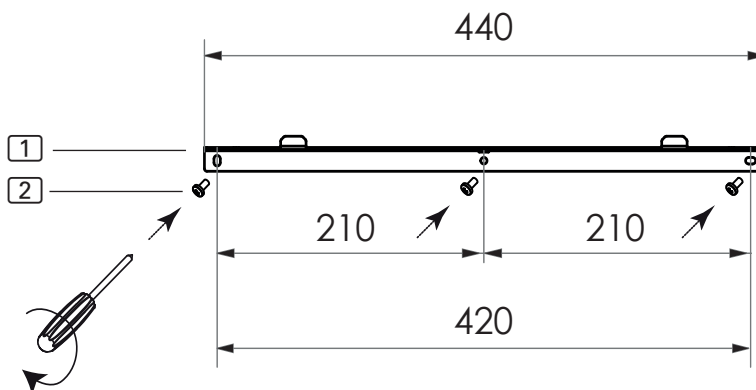


Abb.3 Position der Montageleiste Concept R mini
Maße in mm

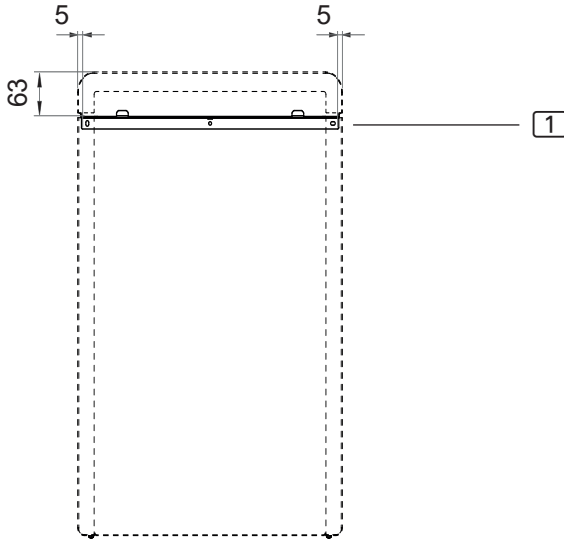
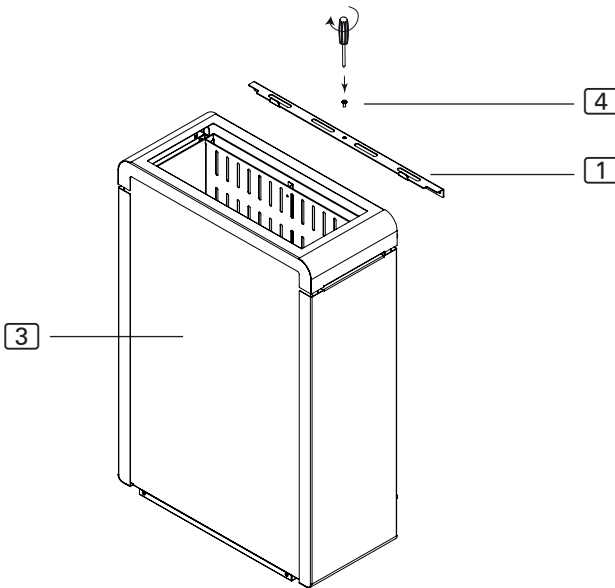


Abb.4 Sicherung Concept R mini (Montageleiste)



4.4. Montage mit Standfuß (optional)

Beachten Sie die **Abb.1**, **Abb.5**, **Abb.6** (Seite **11**, **14**, **15**).

1. Befestigen Sie den Standfuß **1** mit den beiliegenden Schrauben **2** auf die Unterseite des Ofens. Beachten Sie dabei, dass die runde Ausnehmung auf der Verdampferseite ist.
2. Fixieren Sie den Standfuß mit den beiliegenden Schrauben am Boden (**Abb.6**). Verwenden Sie je nach Bodenbeschaffenheit die beiliegenden Holzschrauben oder die Dübel mit den dazugehörigen Schrauben. Beachten Sie dabei die Mindestabstände des Ofens in **Abb.1**.



WARNUNG! **Brandgefahr**

- Fixieren Sie den Ofen mit Standfuß direkt auf ausreichend festen Untergrund, z. Bsp. auf dem Untergrund auf dem die Saunakabine aufgebaut ist - NICHT auf dem Einlegeboden der Sauna.

Abb.5 Montage Standfuß auf Concept R mini

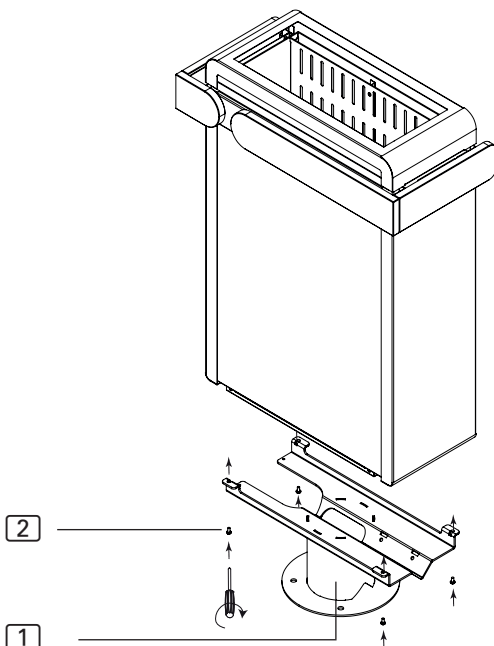
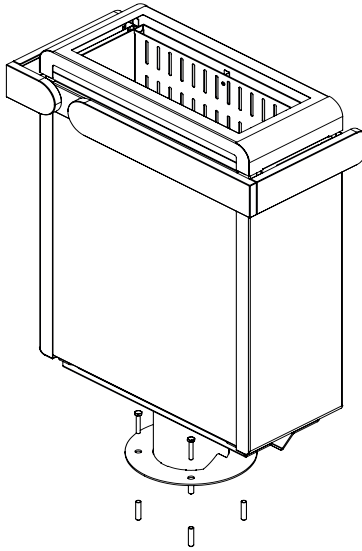
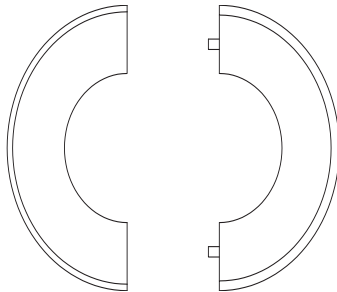
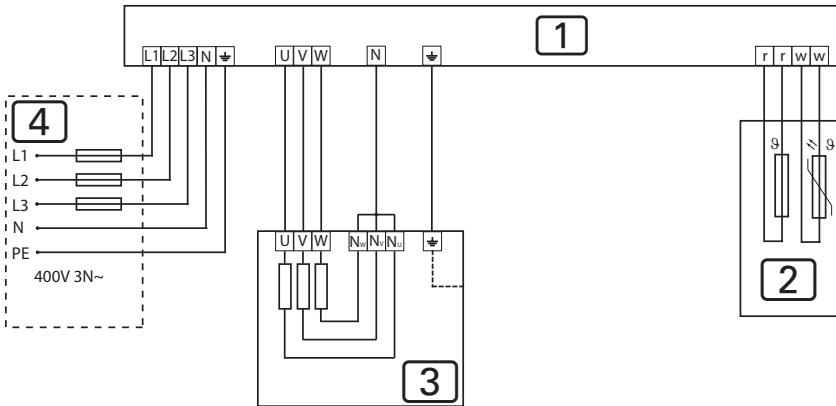


Abb.6 Fixierung Concept R mini mit Standfuß**Abb.7** Montage der Holzabdeckung für den Standfuß (optional)

Zur Abdeckung der Schrauben des Standfußes legen Sie die beiden Hälften des Abdeckringes um den Standfuß und drücken diese fest zusammen.

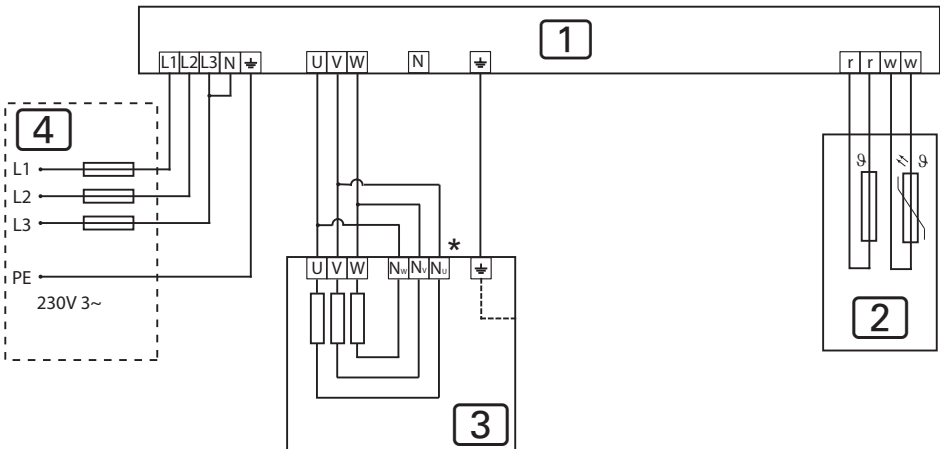
4.5. Anschlussplan für 400V 3N~

Abb.8 Anschlussplan Concept R mini
 3,5 kW, 4,5 kW, 6,0 kW und 7,5 kW
 (CP-RM-35 / CP-RM-45 / CR-RM-60 / CP-RM-75)



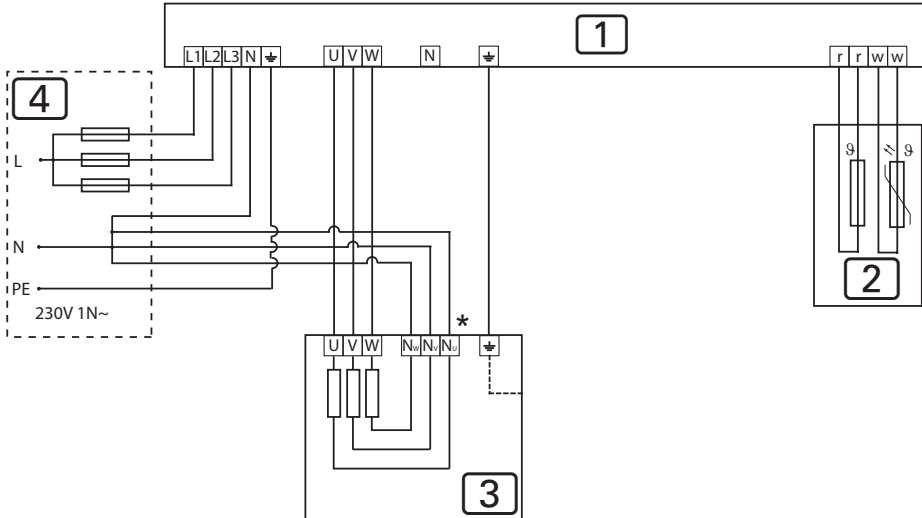
4.6. Anschlussplan für 230V 3~

Abb.9 Anschlussplan Concept R mini
 3,5 kW, 4,5 kW und 6,0 kW
 (CP-RM-35 / CP-RM-45 / CR-RM-60)



4.7. Anschlussplan für 230V 1N~

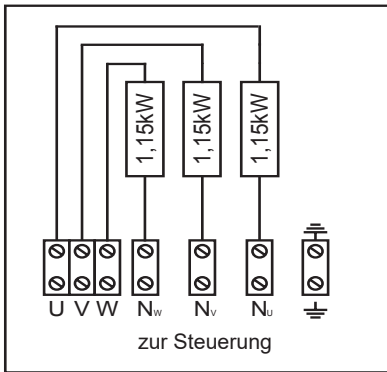
Abb.10 Anschlussplan Concept R mini
 3,5 kW, 4,5 kW, 6,0 kW und 7,5 kW
 (CP-RM-35 / CP-RM-45 / CR-RM-60 / CP-RM-75)



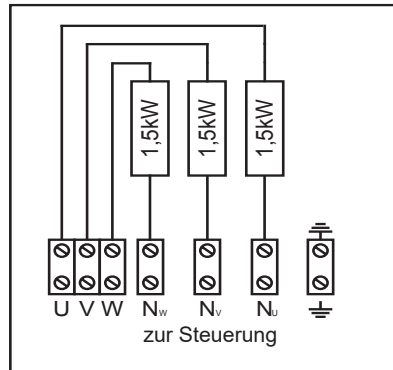
DE

- 1 Saunasteuerung
- 2 Temperaturfühler mit Übertemperatur-Sicherung
- 3 Saunaofen
- 4 Stromversorgung
- * Kupfer-Brücke entfernen

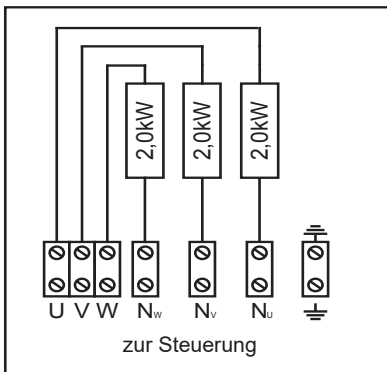
4.8. Verdrahtungsschemen



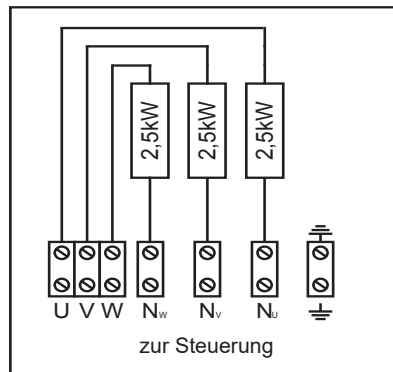
CP-RM-35
3,45 kW



CP-RM-45
4,5 kW



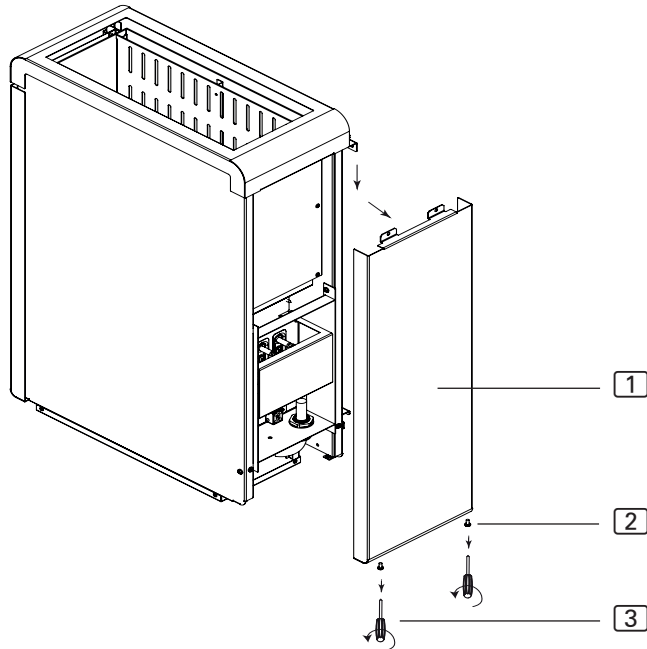
CP-RM-60
6,0 kW



CP-RM-75
7,5 kW

4.9. Elektrischer Anschluss

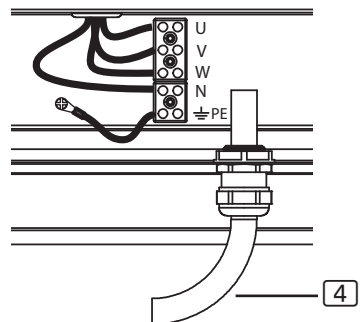
1. Lösen Sie die Schrauben **2** und **3** mit einem Schraubendreher.
2. Entfernen Sie das Abdeckblech **1**.



DE

Anschluss Concept R mini 3,5 kW, 4,5 kW, 6,0 kW und 7,5 kW (CP-RM-35 / CP-RM-45 / CR-RM-60 / CP-RM-75)

1. Führen Sie das Anschlusskabel durch die Durchführung **4**.
2. Schließen Sie die Adern des Anschlusskabels an den Klemmen U – V – W – N – PE des Saunaofens und an den passenden Klemmen der Saunasteuerung an. Beachten Sie dabei die Montageanleitung der Saunasteuerung.
3. Befestigen Sie das Abdeckblech **1** wieder am Saunaofen.



5. Inbetriebnahme

5.1. Steinebehälter füllen

**WARNUNG!*****Brandgefahr durch Überhitzung***

Wird der Saunaofen ohne Saunasteine verwendet, erhitzen sich die Kabinenwände stark. Dadurch können Brände verursacht werden.

- Nehmen Sie den Saunaofen NIEMALS ohne Saunasteine in Betrieb.
-

Die für Ihren Ofen passende Steinmenge finden Sie im Kapitel **11. Technische Daten** (siehe Seite **26**).

1. Waschen Sie die Saunasteine vor der Verwendung gründlich mit Bürste und Wasser. Verwenden Sie keine Reinigungszusätze.
2. Prüfen Sie die Steine vor dem Einfüllen in den Saunaofen auf Fremdkörper und entfernen Sie Verpackungsreste.
3. Legen Sie die Saunasteine in den Steinbehälter. Schichten Sie die Saunasteine locker, damit Luft durch die Zwischenräume strömen kann.
4. Achten Sie darauf, dass die Saunasteine nicht über den Rand des Steinbehälters ragen.

5.2. Erstmaliges Aufheizen



VORSICHT!

Rauch- und Geruchsbildung beim ersten Aufheizen

Auf neuen Heizstäben befinden sich Betriebsstoffe aus dem Fertigungsprozess. Diese zersetzen sich beim ersten Aufheizen des Saunaofens. Dabei entsteht Rauch und unangenehmer Geruch. Wenn Sie diese Dämpfe oder den Rauch einatmen, schadet dies Ihrer Gesundheit.

Führen Sie folgende Schritte durch, wenn Sie Ihren Saunaofen **erstmalig in Betrieb** nehmen und wenn die **Heizstäbe Ihres Saunaofens getauscht** wurden. Sie verhindern so Gesundheitsschäden durch Dämpfe und Rauch, die beim ersten Aufheizen entstehen.

1. Wählen Sie an der Saunasteuerung die höchst mögliche Temperatur.
2. Heizen den Saunaofen für eine halbe Stunde auf.
Halten Sie sich während dieser Zeit NICHT in der Saunakabine auf.
3. Lüften Sie nach dem ersten Aufheizen die Saunakabine gut durch.
4. Wenn beim nächsten Aufheizen kein Rauch und kein Geruch mehr entstehen, können Sie mit dem ersten Saunabad beginnen.
Wenn erneut Rauch oder Geruch entsteht, verlassen Sie sofort die Saunakabine und wiederholen Sie das erstmalige Aufheizen mit anschließendem Lüften.

6. Bedienung



WARNUNG!

Brandgefahr

Brennbare Gegenstände, die auf dem heißen Saunaofen liegen, entzünden sich und verursachen Brände.

- Legen Sie **NIEMALS** brennbare Gegenstände auf den Saunaofen.
 - Stellen Sie sicher, dass **KEINE** brennbaren Gegenstände auf dem Saunaofen liegen, bevor Sie den Saunaofen in Betrieb nehmen.
-

6.1. Saunaofen bedienen

Die Bedienung des Saunaofens erfolgt über eine Saunasteuerung. Für Informationen zur Bedienung der Saunasteuerung lesen Sie die Bedienungsanleitung des verwendeten Geräts. Beachten Sie, dass der Saunaofen Concept R mini nur für Saunasteuerungen ohne Fernstartfunktion geeignet ist.

6.2. Aufgießen

Am Ende des Saunaganges können Sie einen Aufguss durchführen. Gießen Sie dazu Wasser mit einer Saunakelle über die Saunasteine. Dadurch wird das Wasser verdampft und die Luftfeuchtigkeit in der Saunakabine erhöht.

Beachten sie beim Aufguss folgende Punkte:

- Verwenden Sie zum Aufgießen nur Leitungswasser. Meerwasser, stark kalkhaltiges und chloriertes Wasser können den Saunaofen beschädigen.
- Verwenden Sie nur Duftstoffe und ätherische Öle, die ausdrücklich für die Verwendung als Aufgussmittel in Saunen geeignet sind. Beachten Sie die Herstellerangaben auf der Verpackung der Aufgussmittel.
- Gießen Sie das Wasser nicht zu schnell über die Saunasteine. Nur dann wird das Aufgusswasser vollständig verdampft.

7. Wartung

7.1. Längere Betriebspausen

Bei feuchten Umgebungsbedingungen oder langen Betriebspausen reichert sich Feuchtigkeit in den Heizstäben an. Dies ist ein physikalischer Vorgang und kein Fehler des Herstellers. Die Feuchtigkeit in den Heizstäben kann zum Auslösen des FI-Schutzschalters führen. Verständigen Sie in diesem Fall zur Fehlerbehebung eine Elektrofachkraft (siehe Kapitel **9. Problemlösung durch den Monteur**).



Heizen Sie den Saunaofen alle 5 bis 6 Wochen für ca. 15 Minuten auf. So verhindern Sie, dass sich bei längeren Betriebspausen Wasser in den Heizstäben anreichert.

7.2. Saunaofen reinigen

Achten Sie darauf, dass die Belüftungsöffnungen frei von Flusen und Staub sind. So verhindern Sie, dass die Luftzirkulation im Saunaofen eingeschränkt wird und das Gerät überhitzt.

7.3. Saunasteine wechseln

Saunasteine werden durch Aufgussmittel und große Temperaturunterschiede, die bei der Benutzung auftreten, beansprucht. Die Saunasteine können angegriffen und brüchig werden.

Überprüfen Sie die Saunasteine in regelmäßigen Abständen und tauschen Sie die Steine mindestens einmal jährlich.



WARNUNG!

Brandgefahr durch Überhitzung

Wird der Saunaofen ohne Saunasteine verwendet, erhitzen sich die Kabinenwände stark. Dadurch können Brände verursacht werden.

- Nehmen Sie den Saunaofen **NIEMALS** ohne Saunasteine in Betrieb.

1. Entfernen Sie die alten Saunasteine.
2. Befreien Sie den Steinbehälter von Kalkrückständen, Staub und anderen Verunreinigungen.
3. Waschen Sie die Saunasteine vor der Verwendung gründlich mit Bürste und Wasser. Verwenden Sie keine Reinigungszusätze.
4. Prüfen Sie die Steine vor dem Einfüllen in den Saunaofen auf Fremdkörper und entfernen Sie Verpackungsreste.
5. Legen Sie die Saunasteine in den Steinbehälter. Schichten Sie die Saunasteine locker, damit Luft durch die Zwischenräume strömen kann.
6. Achten Sie darauf, dass die Saunasteine nicht über den Rand des Steinbehälters ragen.

8. Entsorgung



- Entsorgen Sie die Verpackungsmaterialien nach den gültigen Entsorgungsrichtlinien.
- Altgeräte enthalten wiederverwendbare Materialien, aber auch schädliche Stoffe. Geben Sie Ihr Altgerät deshalb auf keinen Fall in den Restmüll, sondern entsorgen Sie das Gerät nach den örtlich geltenden Vorschriften.

9. Problemlösung durch den Monteur

Heizstäbe ausheizen

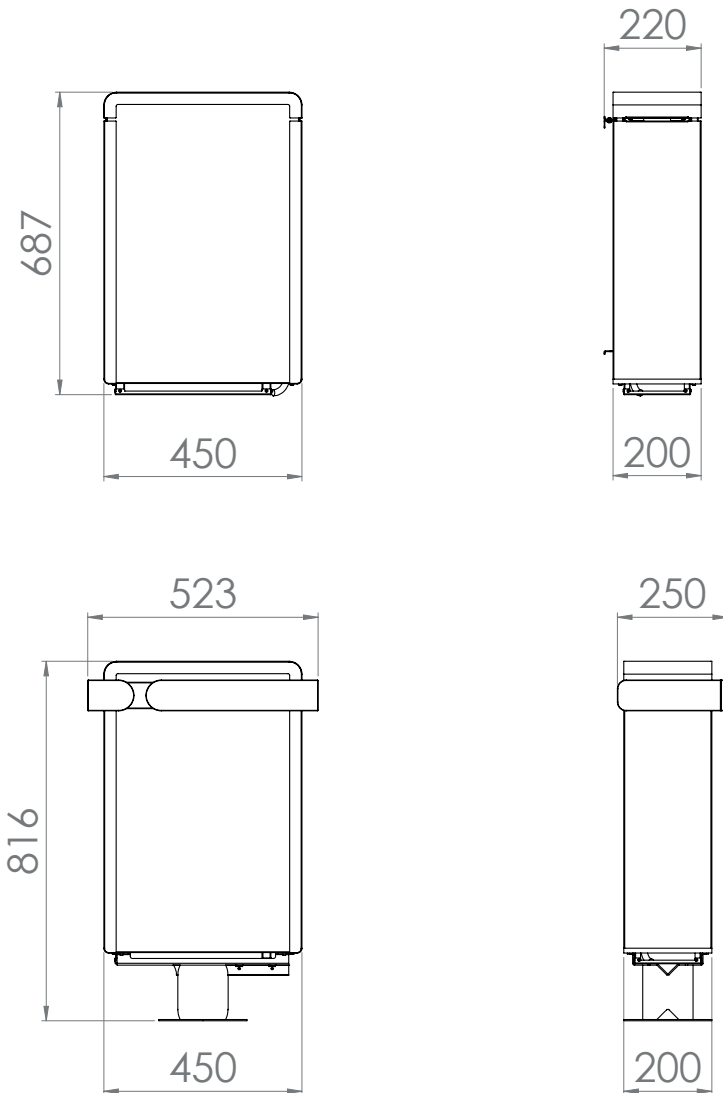
Bei feuchten Umgebungsbedingungen oder langen Betriebspausen kann es zu einer Anreicherung von Feuchtigkeit in den Heizstäben kommen. Dies ist ein physikalischer Vorgang und kein Fehler des Herstellers. Die Feuchtigkeit in den Heizstäben kann unter Umständen zum Auslösen des FI-Schutzschalters führen.

In diesem Fall ist es notwendig, den Saunaofen unter Aufsicht einer Elektrofachkraft auszuheizen. Dabei muss die Schutzfunktion des FI-Schalters außer Kraft gesetzt werden. Der Ausheizvorgang nimmt ca. 10 Minuten in Anspruch. Danach muss die Sicherungsfunktion des FI-Schalters wiederhergestellt werden.

Sollte das Problem weiterhin bestehen, wenden Sie sich an Ihren Lieferanten.

10. Abmessungen

Abb.11 Abmessungen Concept R mini 3,5 kW, 4,5 kW 6,0 kW und 7,5 kW
(CP-RM-35 / CP-RM-45 / CR-RM-60 / CP-RM-75)
Maße in mm



11. Technische Daten

Die Abmessungen entnehmen Sie der **Abb.11**.

Artikelnummer	Leistung [kW]	Kabinenvolumen [m ³]	Mindestgröße Belüftungsöffnung [mm]	Gewicht ohne Steine [kg]
CP-RM-35	3,45	3 - 5	350 x 20	19,5
CP-RM-45	4,5	4 - 6	350 x 25	19,5
CP-RM-60	6,0	5 - 8	350 x 30	19,5
CP-RM-75	7,5	7 - 11	350 x 35	19,5

Artikelnummer	Steinmenge [kg]	Absicherung [A]	Versorgung
CP-RM-35	ca. 15	3 x 10	400 V AC 3N~ 50/60 Hz 230 V AC 1N~ 50/60 Hz 230 V AC 3~ 50/60 Hz
CP-RM-45	ca. 15	3 x 10	400 V AC 3N~ 50/60 Hz 230 V AC 1N~ 50/60 Hz 230 V AC 3~ 50/60 Hz
CP-RM-60	ca. 15	3 x 10	400 V AC 3N~ 50/60 Hz 230 V AC 1N~ 50/60 Hz 230 V AC 3~ 50/60 Hz
CP-RM-75	ca. 15	3 x 16	400 V AC 3N~ 50/60 Hz 230 V AC 1N~ 50/60 Hz

Artikelnummer	Heizstäbe
CP-RM-35	3 x CPRM115 (1-043-621)
CP-RM-45	3 x SCA150 (1-028-518)
CP-RM-60	3 x SCA200 (1-028-503)
CP-RM-75	3 x CPRM250 (1-042-346)



Poêle de sauna

Concept R mini

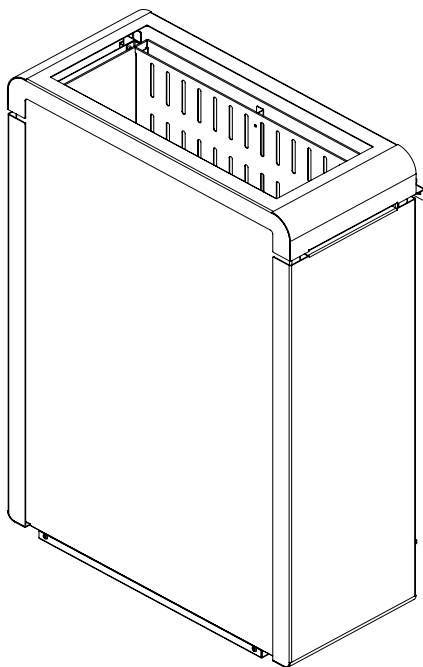
CP-RM-35 / 1-030-892 : Concept R mini 3,5 kW

CP-RM-45 / 1-030-962 : Concept R mini 4,5 kW

CP-RM-60 / 1-030-984 : Concept R mini 6,0 kW

CP-RM-75 / 1-038-852 : Concept R mini 7,5 kW

INSTRUCTIONS DE MONTAGE ET MODE D'EMPLOI Français



FR

Table des matières

1. Concernant ces instructions	4
2. Remarques importantes pour votre sécurité	5
2.1. Usage conforme	5
2.2. Consignes de sécurité pour le monteur	6
2.3. Consignes de sécurité pour l'utilisateur	7
3. Description du produit	9
3.1. Contenu de la livraison	9
3.2. Accessoires	9
3.3. Fonctions du produit	9
4. Montage et raccordement	10
4.1. Lieu d'installation et position de la sonde	10
4.2. Distances de sécurité	11
4.3. Montage sur la paroi de la cabine	12
4.4. Montage avec pied (en option)	14
4.5. Schéma de raccordement pour 400V 3N~	16
4.6. Schéma de raccordement pour 230 V 3~	16
4.7. Schéma de raccordement pour 230V 1N~	17
4.8. Schémas de câblage	18
4.9. Branchements électriques	19
5. Mise en service	20
5.1. Remplissage du réservoir de pierres	20
5.2. Premier chauffage	21

6. Utilisation	22
6.1. Commande du poêle de sauna.....	22
6.2. Arrosage.....	22
7. Entretien	23
7.1. Périodes d'arrêt prolongées.....	23
7.2. Nettoyage du poêle de sauna.....	23
7.3. Remplacement des pierres à sauna.....	23
8. Élimination	24
9. Dépannage par le monteur	24
10. Dimensions	25
11. Caractéristiques techniques	26

1. Concernant ces instructions

Lisez attentivement ces instructions de montage et ce mode d'emploi et conservez-les à proximité du sauna. Ainsi, vous pourrez consulter à tout moment des informations concernant son utilisation et relatives à votre sécurité.



Ces instructions de montage et ce mode d'emploi sont également disponibles dans la rubrique de téléchargement de notre site Internet www.sentiotec.com/downloads.

Symboles d'avertissement

Dans les instructions de montage et le mode d'emploi, un avertissement précède les activités représentant un danger. Conformez-vous impérativement à ces avertissements. Vous éviterez ainsi des dommages matériels et des blessures qui, dans le pire des cas, peuvent être mortelles.

Ces avertissements utilisent des termes clés qui ont la signification suivante :



DANGER !

Le non-respect de cet avertissement entraîne un risque de blessures graves, voire mortelles.



AVERTISSEMENT !

Le non-respect de cet avertissement entraîne un risque éventuel de blessures graves, voire mortelles.



PRUDENCE !

Le non-respect de cet avertissement entraîne un risque éventuel de blessures légères.

ATTENTION !

Ce terme clé vous avertit de dommages matériels éventuels.

Autres symboles



Ce symbole désigne les conseils et indications utiles.



Ne pas couvrir !



Lire le mode d'emploi

2. Remarques importantes pour votre sécurité

Le poêle de sauna Concept R mini a été construit selon l'état de la technique et les règles de sécurité reconnues. Cependant, des dangers peuvent survenir lors de l'utilisation. C'est pourquoi vous devez suivre les consignes de sécurité suivantes et les avertissements spécifiques des différents chapitres.

2.1. Usage conforme

Le poêle Concept R mini a pour unique fonction de chauffer les cabines de sauna et cela, avec une commande sans fonction de démarrage à distance.

Le poêle de sauna Concept R mini peut être utilisé également avec une commande pour sauna disposant d'une fonction de démarrage à distance, uniquement en combinaison avec l'extinction de sécurité disponible en option.

Le poêle de sauna Concept R mini peut être utilisé également dans des saunas publics, uniquement en combinaison avec l'extinction de sécurité disponible en option.

Toute autre utilisation est considérée comme un usage non conforme. Un usage non conforme peut endommager le produit et provoquer de graves blessures, voire la mort.

2.2. Consignes de sécurité pour le monteur

- Les travaux de montage et de raccordement du poêle de sauna doivent être effectués uniquement lorsque l'appareil est hors tension.
- Seul un électricien spécialisé ou une personne ayant une qualification similaire est habilité à procéder au montage.
- Un dispositif de coupure totale du circuit sur tous les pôles selon la catégorie de surtension III doit être prévu par le client.
- Pour le raccordement du poêle de sauna, utilisez exclusivement des lignes en silicone résistant à des températures allant jusqu'à 150 °C.
- Installez un seul poêle de sauna par cabine. Le poêle de sauna Concept R mini ne doit pas être utilisé avec d'autres poêles pour sauna dans une même cabine de sauna.
- Les plafonds et parois de la cabine de sauna doivent être fabriqués en bois peu résineux, non traités ou traités thermiquement, par ex. pin nordique, tsuga, pin ou sapin, ou en matériaux composés de couches de bois. En cas d'utilisation de matériaux composés de couches de bois, veillez à ce que leurs colles n'émettent pas de formaldéhyde. Si d'autres matériaux que le bois sont utilisés dans la cabine de sauna, ils doivent résister à la chaleur et à la corrosion et ne doivent avoir aucun effet négatif sur la santé des utilisateurs du sauna.
- La cabine de sauna doit mesurer au moins 1,9 m de hauteur.
- Respectez les indications concernant le volume et la ventilation de la cabine de sauna du chapitre **11. Caractéristiques techniques**.
- Lors de l'installation du poêle de sauna, respectez les distances minimales de sécurité (voir chapitre **4.2. Distances de sécurité**).
- Respectez également les dispositions légales du lieu d'installation.
- En cas de problèmes insuffisamment traités dans les instructions de montage, adressez-vous à votre fournisseur pour votre propre sécurité.

2.3. Consignes de sécurité pour l'utilisateur

- L'appareil ne doit pas être utilisé par des enfants de moins de 8 ans.
- L'appareil peut être utilisé par des enfants de plus de 8 ans, par des personnes ayant des capacités psychiques, sensorielles ou mentales limitées et par des personnes manquant d'expérience et de connaissances dans les conditions suivantes :
 - lorsqu'ils sont surveillés.
 - lorsque l'utilisation en toute sécurité leur a été expliquée et qu'ils comprennent les dangers qui peuvent survenir.
- Les enfants ne doivent pas jouer avec l'appareil.
- Les enfants de moins de 14 ans peuvent nettoyer l'appareil uniquement s'ils sont surveillés.
- Pour des raisons de santé, n'utilisez pas le sauna lorsque vous êtes sous l'influence d'alcool, de médicaments ou de drogues.
- Ne faites jamais fonctionner le poêle de sauna sans pierres à sauna, cela pourrait provoquer des incendies.

- Assurez-vous qu'aucun objet inflammable ne se trouve sur le poêle de sauna avant de mettre en marche la commande.
- AVANT de commencer à utiliser le sauna, faites chauffer le poêle de sauna pendant une demi-heure. Pendant ce temps, NE restez PAS dans la cabine de sauna. Ensuite, aérez bien la cabine de sauna (voir **5.2. Premier chauffage** à la page **21**).
- Ne touchez jamais le poêle de sauna pendant son fonctionnement. Les surfaces du poêle de sauna et les pierres à sauna sont très chaudes.
- Pour votre sécurité, adressez-vous à votre fournisseur si le mode d'emploi ne traite pas exhaustivement de certains problèmes.

3. Description du produit

3.1. Contenu de la livraison

- Poêle de sauna
- Instructions de montage et mode d'emploi

3.2. Accessoires

<i>Accessoires</i>	<i>Numéro de produit</i>
Kit de fixation de la rambarde du poêle Concept R mini	CP-RM-HSR-4S / 1-049-506
Rambarde en bois Concept R mini tilleul	CP-RM-L-4S / 1-049-706
Rambarde en bois Concept R mini noyer	CP-RM-N-4S / 1-049-707
Pied pour Concept R mini	CP-RM-SF / 1-043-964
Cache pour pied Concept R mini tilleul	CP-RM-CSF-L / 1-041-482
Cache pour pied Concept R mini noyer	CP-RM-CSF-N / 1-041-483

3.3. Fonctions du produit

Le poêle de sauna Concept R mini est un poêle de sauna finlandais et permet de créer le climat typique du sauna finlandais, à savoir une température de 80 à 100 °C, avec une humidité de l'air d'environ 10 %.

4. Montage et raccordement

Tenez compte des points suivants lors de l'installation et du raccordement du poêle de sauna :



AVERTISSEMENT !

Risque d'électrocution

- Effectuez les travaux de montage et de raccordement du poêle de sauna uniquement lorsque celui-ci est hors tension.
-
- Seul un électricien spécialisé ou une personne ayant une qualification similaire est habilité à procéder au raccordement électrique.
 - Un dispositif de coupure totale du circuit sur tous les pôles selon la catégorie de surtension III doit être prévu par le client.
 - Le poêle de sauna Concept R mini est un poêle mural. Procédez à un contrôle de stabilité et de fixation sur la barre de montage avant la mise en service.

4.1. Lieu d'installation et position de la sonde

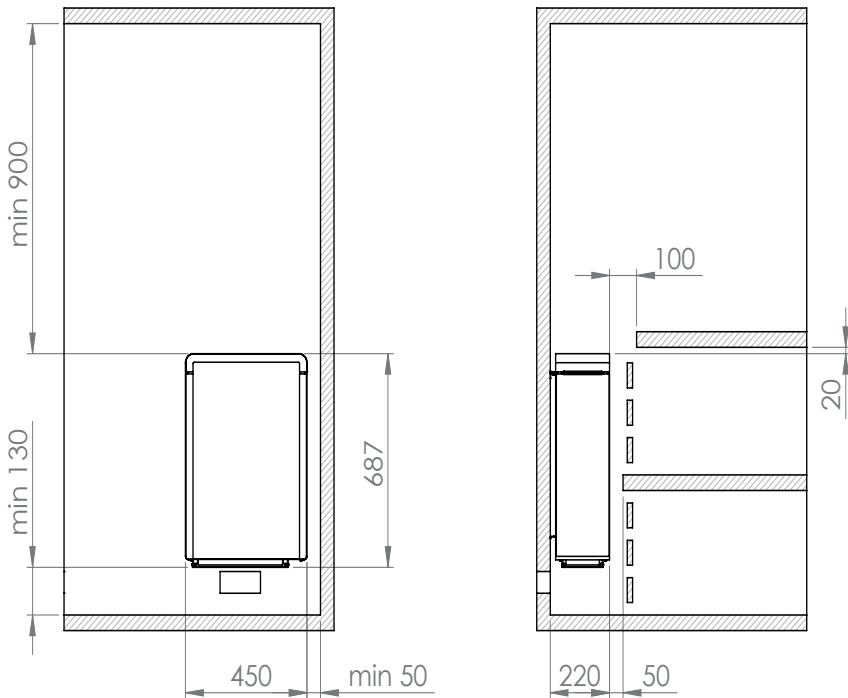
Le poêle doit être monté en position centrale devant l'orifice d'admission d'air de la paroi de la cabine. Ce faisant, respectez les distances de sécurité par rapport à la paroi de la cabine indiquées à la **Fig. 1**.

Montez la sonde de température avec dispositif de protection contre la surtempérature au niveau de la paroi de la cabine, au-dessus du centre du poêle de sauna. Respectez une distance de 15 cm par rapport au plafond de la cabine.

4.2. Distances de sécurité

Respectez les distances de sécurité minimales indiquées sur la **Fig. 1**.

Fig. 1 Distances de sécurité
Concept R mini 3,5 kW, 4,5 kW, 6,0 kW et 7,5 kW
(CP-RM-35/CP-RM-45/CR-RM-60/CP-RM-75)
Dimensions en mm



4.3. Montage sur la paroi de la cabine

Reportez-vous aux **Fig. 1**, **Fig. 2**, **Fig. 3** et **Fig. 4** (pages 11, 12 et 13).

1. Fixez la barre de montage **1** horizontalement au mur avec les vis à bois **2** fournies. Reportez-vous à la fig. 1 en ce qui concerne les distances minimales du poêle.
2. Accrochez le poêle **3** du haut vers le bas à la barre de montage. Veillez à ce qu'il soit parfaitement affleurant.
3. Fixez le poêle **3** à la barre de montage **1** avec la vis fournie **4**.



AVERTISSEMENT !

Risque d'incendie

- Fixez le poêle avec la vis fournie 4 afin de prévenir tout glissement.

Fig. 2 Barre de montage du Concept R mini
Dimensions en mm

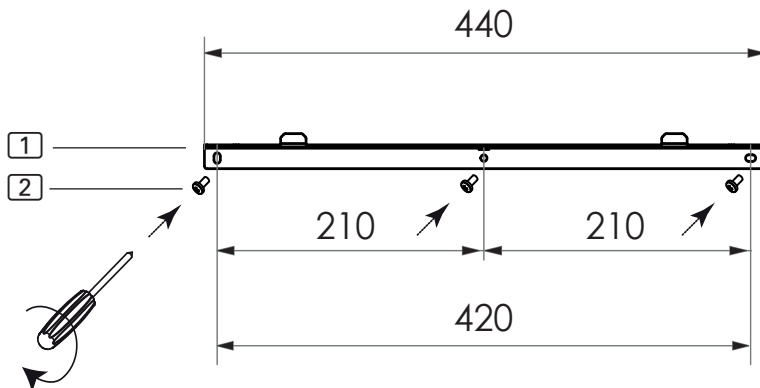


Fig. 3 Position de la barre de montage du Concept R mini
Dimensions en mm

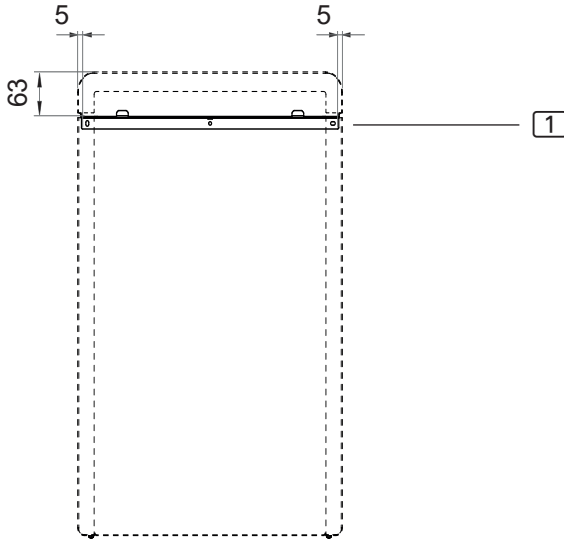
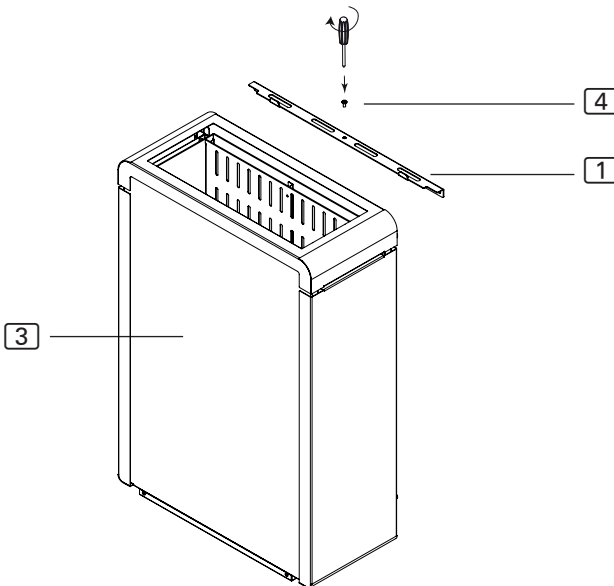


Fig. 4 Fixation du Concept R mini (barre de montage)



4.4. Montage avec pied (en option)

Reportez-vous aux **Fig. 1**, **Fig. 5**, **Fig. 6** (pages **11**, **14** et **15**).

1. Fixez le pied **1** à la partie inférieure du poêle à l'aide des vis **2** fournies. Assurez-vous que l'évidement rond se trouve du côté de l'évaporateur.
2. Fixez le pied au sol à l'aide des vis fournies (**Fig. 6**). Selon la nature du sol, utilisez les vis à bois fournies ou les chevilles et vis correspondantes. Respectez les distances minimales du poêle indiquées sur la **Fig. 1**.



AVERTISSEMENT !

Risque d'incendie

- Fixez le poêle et le pied directement dans un sol suffisamment solide, par ex. le sol sur lequel la cabine de sauna est montée, mais **PAS** au revêtement de sol du sauna.

Fig. 5 Montage du pied sur le Concept R mini

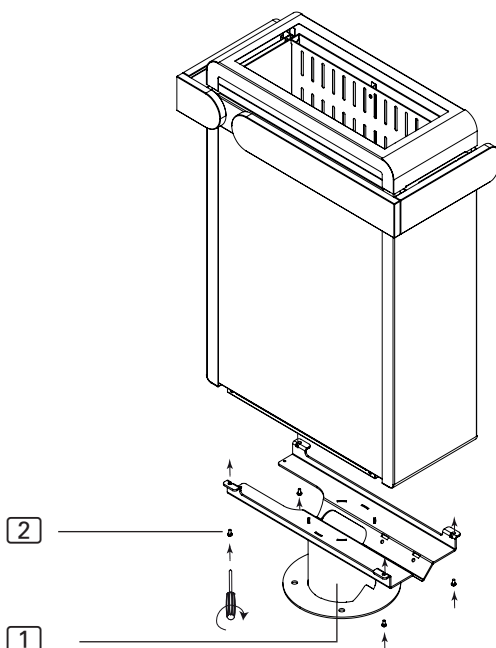
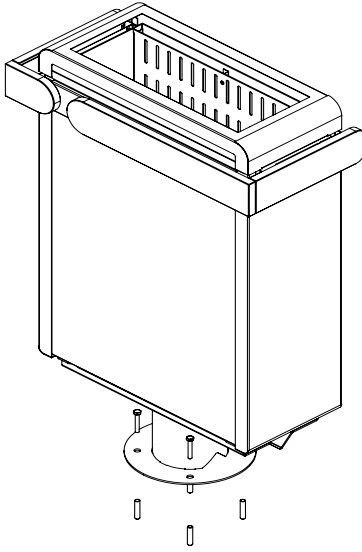
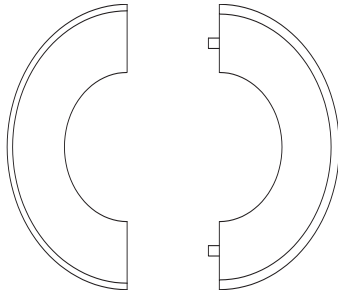
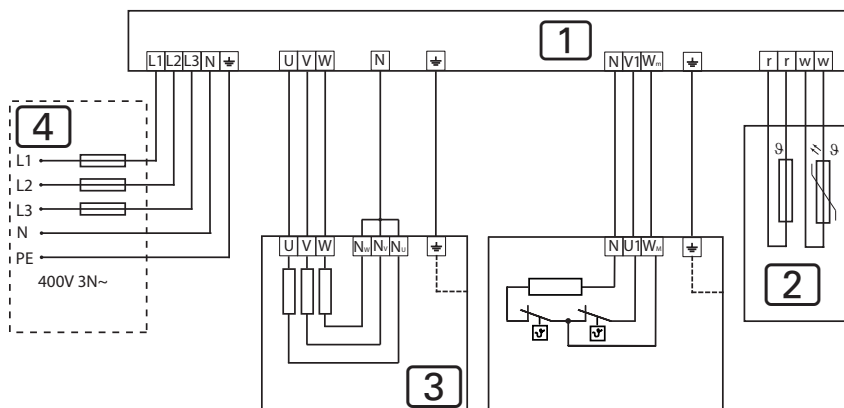


Fig. 6 Fixation du Concept R mini avec pied**Fig. 7** Montage du cache en bois pour pied (en option)

Pour cacher les vis du pied, placez les deux parties du cache circulaire sur le pied et pressez-les fermement l'une contre l'autre.

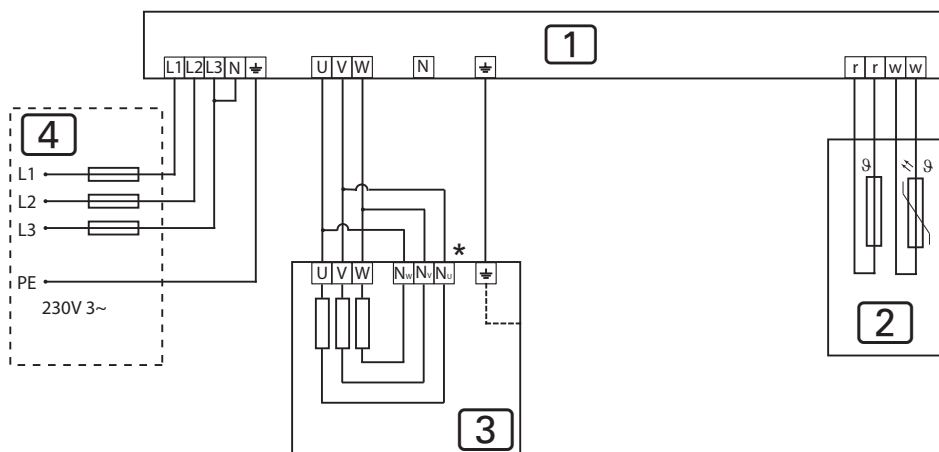
4.5. Schéma de raccordement pour 400V 3N~

Fig. 8 Schéma de raccordement des Concept R mini
3,5 kW, 4,5 kW, 6,0 kW et 7,5 kW
(CP-RM-35/CP-RM-45/CR-RM-60/CP-RM-75)



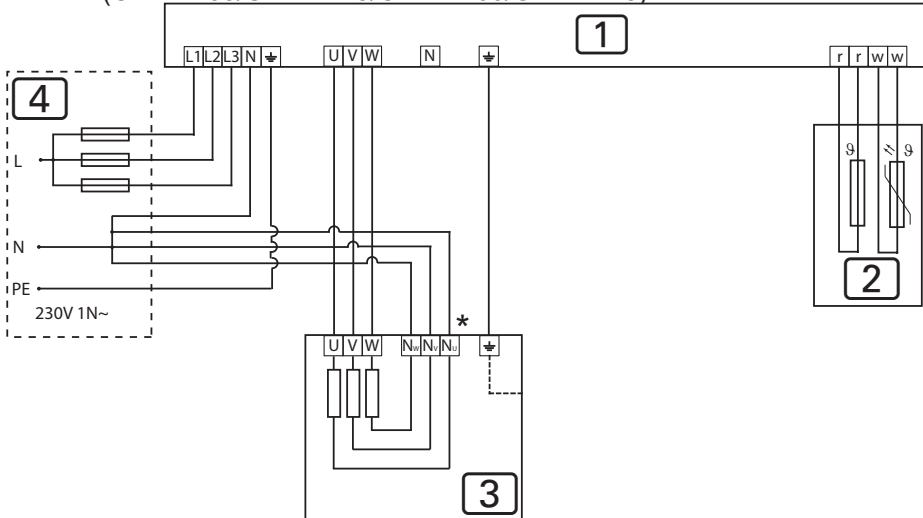
4.6. Schéma de raccordement pour 230 V 3~

Fig. 9 Schéma de raccordement des Concept R mini
3,5 kW, 4,5 kW et 6,0 kW
(CP-RM-35/CP-RM-45/CR-RM-60)



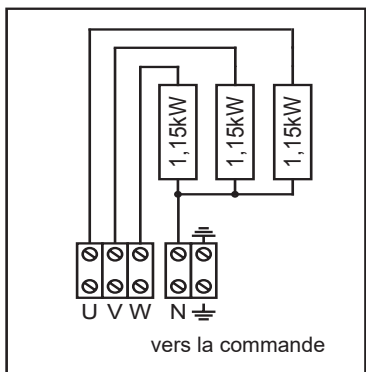
4.7. Schéma de raccordement pour 230V 1N~

Fig. 10 Schéma de raccordement des Concept R mini
3,5 kW, 4,5 kW, 6,0 kW et 7,5 kW
(CP-RM-35/CP-RM-45/CR-RM-60/CP-RM-75)

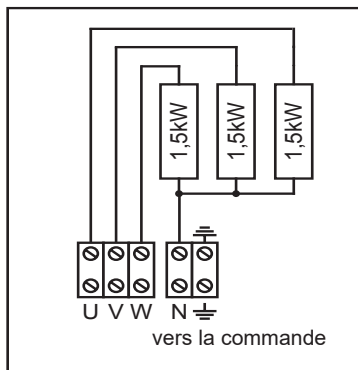


- 1 Commande de sauna
- 2 Sonde de température avec dispositif de protection contre la surtempérature
- 3 Poêle de sauna
- 4 Alimentation électrique
- * Retirer le cavalier de cuivre

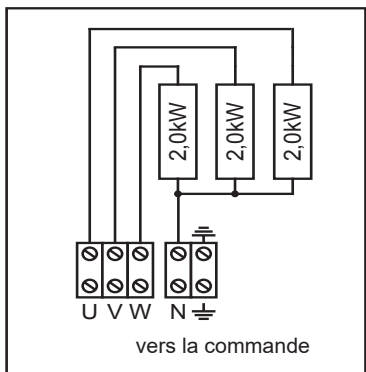
4.8. Schémas de câblage



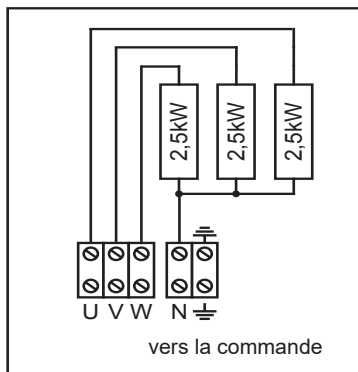
CP-RM-35
3,45 kW



CP-RM-45
4,5 kW



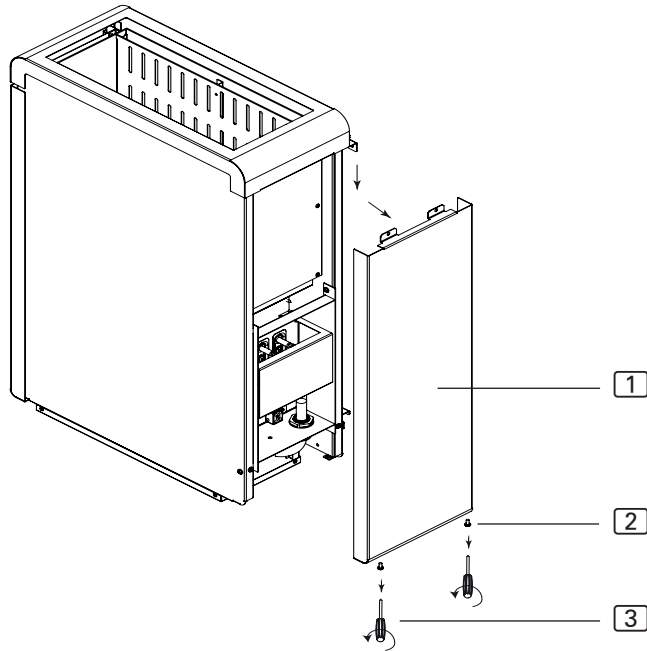
CP-RM-60
6,0 kW



CP-RM-75
7,5 kW

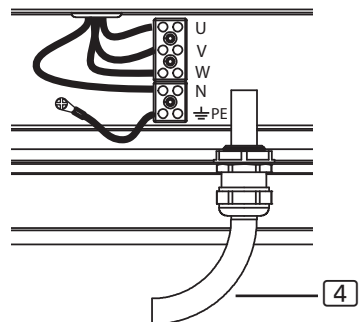
4.9. Branchements électriques

1. Desserrez les vis **2** et **3** à l'aide d'un tournevis.
2. Retirez le cache en tôle **1**.



Raccordement des Concept R mini 3,5 kW, 4,5 kW, 6,0 kW et 7,5 kW (CP-RM-35/CP-RM-45/CR-RM-60/CP-RM-75)

1. Faites passer le câble de raccordement par le passage **4**.
2. Raccordez les fils du câble de raccordement aux bornes U – V – W – N – PE du poêle de sauna et au niveau des bornes correspondantes de la commande du sauna. Ce faisant, respectez les instructions de montage de la commande du sauna.
3. Refixez le cache en tôle **1** sur le poêle de sauna.



5. Mise en service

5.1. Remplissage du réservoir de pierres

**AVERTISSEMENT !*****Risque d'incendie dû à la surchauffe***

Si le poêle de sauna est utilisé sans pierres à sauna, les parois de la cabine de réchauffent fortement. Cela peut provoquer des incendies.

- NE mettez JAMAIS le poêle de sauna en marche sans pierres à sauna.
-

Vous trouverez la quantité de pierres correspondant à votre poêle au chapitre

11. Caractéristiques techniques (voir page **26**).

1. Avant utilisation, nettoyez soigneusement les pierres à sauna à l'eau, à l'aide d'une brosse. N'utilisez pas de produits de nettoyage.
2. Avant de les placer dans le poêle de sauna, vérifiez que les pierres sont exemptes de corps étrangers et retirez les restes d'emballage.
3. Placez les pierres à sauna dans le réservoir de pierres. Disposez les pierres à sauna sans les serrer, afin que l'air puisse passer entre les interstices.
4. Veillez à ce que les pierres à sauna ne dépassent pas du bord du réservoir de pierres.

5.2. Premier chauffage



PRUDENCE !

Formation de fumée et de mauvaises odeurs lors du premier chauffage

Sur les thermoplongeurs neufs se trouvent des matières consommables issues du processus de fabrication. Celles-ci se décomposent lors du premier chauffage du poêle de sauna. Cela provoque de la fumée et des odeurs désagréables. Le fait de respirer ces vapeurs ou la fumée nuit à votre santé.

Procédez aux opérations suivantes lorsque vous mettez votre poêle de sauna **en service pour la première fois** et lorsque les **thermoplongeurs de votre poêle de sauna ont été remplacés**. Vous évitez ainsi des dommages pour votre santé provoqués par les vapeurs et la fumée se formant lors du premier chauffage.

1. Sur la commande du sauna, sélectionnez la température la plus élevée possible.
2. Faites chauffer le poêle de sauna pendant une demi-heure.
Pendant ce temps, NE restez PAS dans la cabine de sauna.
3. Après le premier chauffage, aérez bien la cabine de sauna.
4. Si plus aucune fumée ni aucune odeur ne se forment lors du prochain chauffage, vous pouvez commencer à utiliser votre sauna.
Si de la fumée ou des odeurs apparaissent à nouveau, quittez immédiatement la cabine de sauna et répétez la procédure de premier chauffage, suivie d'une aération.

6. Utilisation



AVERTISSEMENT !

Risque d'incendie

Des objets inflammables se trouvant sur le poêle de sauna brûlant peuvent s'enflammer et provoquer des incendies.

- NE placez JAMAIS de matériaux inflammables sur le poêle de sauna.
 - Assurez-vous qu'AUCUN objet inflammable ne se trouve sur le poêle de sauna avant de mettre le sauna en marche.
-

6.1. Commande du poêle de sauna

L'utilisation du poêle de sauna s'effectue par l'intermédiaire d'une commande de sauna. Pour obtenir des informations concernant l'utilisation de la commande pour sauna, lisez le mode d'emploi de l'appareil correspondant. Notez que le poêle de sauna Concept R mini ne convient qu'aux commandes sans fonction de démarrage à distance.

6.2. Arrosage

À la fin de l'utilisation du sauna, vous pouvez effectuer un arrosage. Pour ce faire, versez de l'eau sur les pierres à sauna à l'aide d'une louche pour sauna. Cela fait évaporer l'eau et augmente l'humidité de l'air dans la cabine.

Lors de l'arrosage, respectez les points suivants :

- Utilisez uniquement de l'eau du robinet pour l'arrosage. De l'eau de mer, une eau très calcaire et de l'eau chlorée peuvent endommager le poêle de sauna.
- Utilisez uniquement des parfums et des huiles essentielles explicitement adaptés à l'arrosage dans des saunas. Suivez les consignes données par le fabricant sur l'emballage des essences.
- Ne versez pas l'eau trop vite sur les pierres à sauna. Cela permet que l'eau d'arrosage s'évapore totalement.

7. Entretien

7.1. Périodes d'arrêt prolongées

Si l'environnement est particulièrement humide, ou lors de longues périodes d'arrêt, de l'humidité s'accumule dans les thermoplongeurs. Il s'agit d'un phénomène physique et non d'un défaut de fabrication. L'humidité des thermoplongeurs peut provoquer le déclenchement du disjoncteur. Dans ce cas, contactez un électricien qualifié pour le dépannage (voir chapitre 9. **Dépannage par le monteur**).



Faites chauffer le poêle de sauna toutes les 5 à 6 semaines pendant env. 15 minutes. Vous évitez ainsi que de l'eau ne s'accumule dans les thermoplongeurs lors de longues périodes d'arrêt.

7.2. Nettoyage du poêle de sauna

Veillez à ce que les ouvertures de ventilation soient exemptes de peluches et de poussières. Vous évitez ainsi que la circulation de l'air dans le poêle de sauna soit limitée et que l'appareil chauffe excessivement.

7.3. Remplacement des pierres à sauna

Les pierres à sauna sont très sollicitées par les produits d'arrosage et les importantes différences de température survenant lors de l'utilisation. Les pierres à sauna peuvent être attaquées et devenir cassantes.

Contrôlez les pierres à sauna à intervalles réguliers et remplacez les pierres au moins une fois par an.



AVERTISSEMENT !

Risque d'incendie dû à la surchauffe

Si le poêle de sauna est utilisé sans pierres à sauna, les parois de la cabine de réchauffent fortement. Cela peut provoquer des incendies.

- NE mettez JAMAIS le poêle de sauna en marche sans pierres à sauna.

1. Retirez les anciennes pierres à sauna.
2. Nettoyez le réservoir de pierres pour retirer les dépôts de calcaire, la poussière et autres impuretés.
3. Avant utilisation, nettoyez soigneusement les pierres à sauna à l'eau, à l'aide d'une brosse. N'utilisez pas de produits de nettoyage.
4. Avant de les placer dans le poêle de sauna, vérifiez que les pierres sont exemptes de corps étrangers et retirez les restes d'emballage.
5. Placez les pierres à sauna dans le réservoir de pierres. Disposez les pierres à sauna sans les serrer, afin que l'air puisse passer entre les interstices.
6. Veillez à ce que les pierres à sauna ne dépassent pas du bord du réservoir de pierres.

8. Élimination



- Éliminez les matériaux d'emballage conformément aux directives en vigueur relatives à l'élimination.
- Les appareils usagés contiennent des matériaux recyclables, mais aussi des substances toxiques. Par conséquent, ne jetez en aucun cas votre appareil usagé avec les déchets ménagers. Éliminez-le conformément aux directives locales en vigueur.

9. Dépannage par le monteur

Chauffage des thermoplongeurs

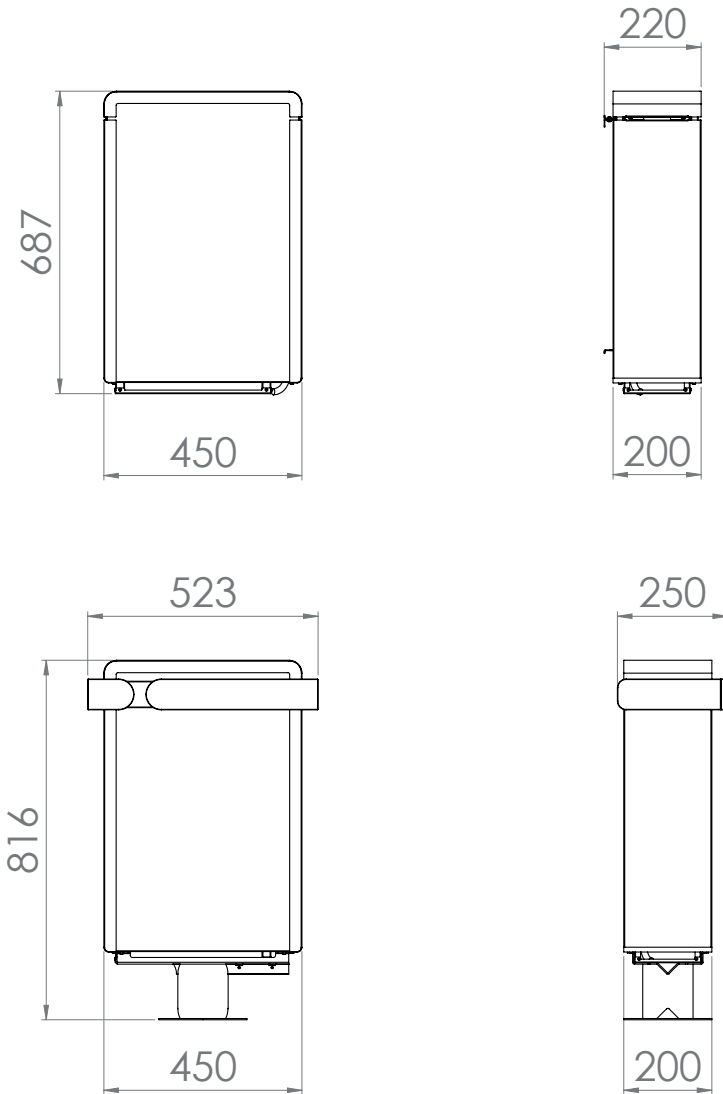
Si l'environnement est particulièrement humide, ou lors de longues périodes d'arrêt, de l'humidité peut s'accumuler dans les thermoplongeurs. Il s'agit d'un phénomène physique et non d'un défaut de fabrication. L'humidité des thermoplongeurs peut éventuellement provoquer le déclenchement du disjoncteur.

Dans ce cas, il est nécessaire de faire chauffer le poêle de sauna sous la surveillance d'un électricien qualifié. Pendant cette procédure, la fonction de protection du disjoncteur doit être hors service. La procédure de chauffage dure env. 10 minutes. La fonction de protection du disjoncteur doit ensuite être rétablie.

Si le problème persiste, adressez-vous à votre fournisseur.

10. Dimensions

Fig. 11 Dimensions des Concept R mini 3,5 kW, 4,5 kW 6,0 kW et 7,5 kW
(CP-RM-35/CP-RM-45/CR-RM-60/CP-RM-75)
Dimensions en mm



11. Caractéristiques techniques

Reportez-vous à la **Fig. 11** pour consulter les dimensions.

<i>Référence</i>	<i>Puis- sance [kW]</i>	<i>Volume de la cabine [m³]</i>	<i>Taille minimale de l'ouverture de ventilation [mm]</i>	<i>Poids sans pierres [kg]</i>
CP-RM-35	3,45	3 - 5	350 x 20	19,5
CP-RM-45	4,5	4 - 6	350 x 25	19,5
CP-RM-60	6,0	5 - 8	350 x 30	19,5
CP-RM-75	7,5	7 - 11	350 x 35	19,5

<i>Référence</i>	<i>Quantité de pierres [kg]</i>	<i>Fusible [A]</i>	<i>Alimentation</i>
CP-RM-35	Env. 15	3 x 10	400 V CA 3N~ 50/60 Hz 230 V CA 1N~ 50/60 Hz 230 V CA 3~ 50/60 Hz
CP-RM-45	Env. 15	3 x 10	400 V CA 3N~ 50/60 Hz 230 V CA 1N~ 50/60 Hz 230 V CA 3~ 50/60 Hz
CP-RM-60	Env. 15	3 x 10	400 V CA 3N~ 50/60 Hz 230 V CA 1N~ 50/60 Hz 230 V CA 3~ 50/60 Hz
CP-RM-75	Env. 15	3 x 16	400 V CA 3N~ 50/60 Hz 230 V CA 1N~ 50/60 Hz

<i>Référence</i>	<i>Thermoplongeurs</i>
CP-RM-35	3 x CPRM115 (1-043-621)
CP-RM-45	3 x SCA150 (1-028-518)
CP-RM-60	3 x SCA200 (1-028-503)
CP-RM-75	3 x CPRM250 (1-042-346)



Stufa per sauna

Concept R mini

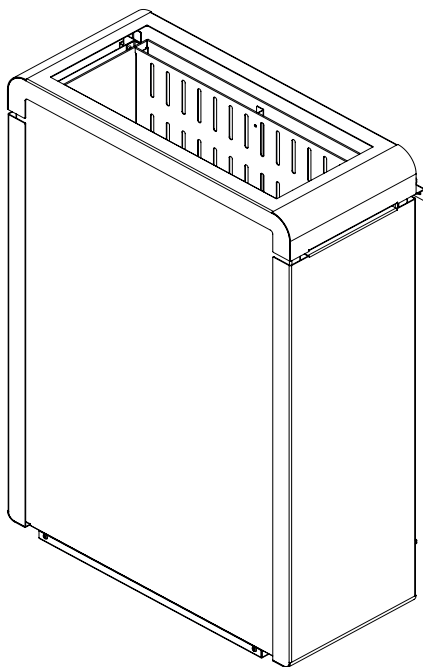
CP-RM-35 / 1-030-892: Concept R mini 3,5 kW

CP-RM-45 / 1-030-962: Concept R mini 4,5 kW

CP-RM-60 / 1-030-984: Concept R mini 6,0 kW

CP-RM-75 / 1-038-852: Concept R mini 7,5 kW

ISTRUZIONI DI MONTAGGIO E D'USO Italiano



IT

Indice

1. Informazioni sul presente manuale	4
2. Importanti indicazioni per la sicurezza personale	5
2.1. Conformità d'uso	5
2.2. Indicazioni di sicurezza per l'installatore	6
2.3. Indicazioni di sicurezza per l'utilizzatore	7
3. Descrizione del prodotto	9
3.1. Dotazione	9
3.2. Accessori	9
3.3. Funzioni del prodotto	9
4. Montaggio e collegamento	10
4.1. Luogo di installazione e posizione della sonda	10
4.2. Distanze di sicurezza	11
4.3. Montaggio alla parete della cabina	12
4.4. Montaggio con piede d'appoggio (opzionale)	14
4.5. Schema di collegamento per 400V 3N~	16
4.6. Schema di collegamento per 230V 3~	16
4.7. Schema di collegamento per 230V 1N~	17
4.8. Schemi di cablaggio	18
4.9. Collegamento elettrico	19
5. Messa in funzione	20
5.1. Riempimento del contenitore delle pietre	20
5.2. Primo riscaldamento	21

6. Impiego	22
6.1. Utilizzo della stufa per sauna.....	22
6.2. Gettata di vapore.....	22
7. Manutenzione	23
7.1. Pause di funzionamento prolungate.....	23
7.2. Pulizia della stufa per sauna.....	23
7.3. Sostituzione delle pietre.....	23
8. Smaltimento	24
9. Risoluzione del problema con l'intervento di un installatore	24
10. Dimensioni	25
11. Specifiche tecniche	26

1. Informazioni sul presente manuale

Leggere attentamente le presenti istruzioni di montaggio e d'uso e conservarle vicino alla sauna. Così facendo è possibile in ogni momento controllare le informazioni sulla sicurezza personale e il comando.



Le presenti istruzioni di montaggio e d'uso si trovano anche nell'area di download della nostra pagina web all'indirizzo: www.sentiotec.com/downloads.

Simboli nelle avvertenze

Nelle presenti istruzioni di montaggio e d'uso, prima di ogni attività che genera un pericolo, è applicata un'avvertenza. Osservare sempre queste avvertenze. Così facendo, si evitano danni a beni materiali e lesioni che, nel peggiore dei casi, possono essere addirittura mortali.

Nelle avvertenze vengono utilizzati pittogrammi che hanno i seguenti significati:



PERICOLO!

L'inosservanza di questa avvertenza può causare lesioni gravi o addirittura mortali.



AVVERTENZA!

L'inosservanza di questa avvertenza può causare lesioni gravi o addirittura mortali.



ATTENZIONE!

L'inosservanza di questa avvertenza può causare lesioni lievi.

ATTENZIONE!

Questo pittogramma avverte della possibilità di danni a beni materiali.

Altri simboli



Questo simbolo indica consigli e indicazioni utili.



Non coprire!



Leggere il manuale di istruzioni

2. Importanti indicazioni per la sicurezza personale

La stufa per sauna Concept R mini è costruita secondo le regole di sicurezza tecniche riconosciute. Tuttavia, durante l'utilizzo, possono presentarsi pericoli. Osservare pertanto le seguenti indicazioni di sicurezza e le avvertenze speciali riportate nei singoli capitoli.

2.1. Conformità d'uso

La stufa per sauna Concept R mini può essere utilizzata unicamente per riscaldare le cabine della sauna in combinazione con un comando sauna senza funzione di avvio remoto.

Solo se in combinazione con il disinserimento di sicurezza disponibile come opzione, la stufa per sauna Concept R mini può essere azionata anche con un comando della sauna dotato di funzione di avvio remoto.

Solo in combinazione con il disinserimento di sicurezza disponibile come opzione è consentito azionare la stufa per saune Concept R mini anche in saune pubbliche.

Qualsiasi altro utilizzo è considerato improprio. Un utilizzo improprio può causare danni al prodotto e lesioni gravi o mortali.

2.2. Indicazioni di sicurezza per l'installatore

- I lavori di montaggio e di collegamento della stufa per sauna devono essere eseguiti solo in assenza di tensione.
- Il montaggio deve essere eseguito solo da elettricisti o da persone con una qualifica simile.
- Per l'installazione, predisporre sul posto un dispositivo di separazione su tutti i poli con disinnesto totale corrispondente alla categoria di sovratensione III.
- Per collegare la stufa per sauna, utilizzare solamente tubi in silicone termoresistenti fino a una temperatura di 150°C.
- Installare la stufa per sauna solo nella cabina. La stufa per sauna Concept R mini non deve essere utilizzata insieme ad altre stufe nella stessa cabina.
- Il soffitto e la pareti della cabina della sauna devono essere costruiti in legno a basso contenuto di resina, non trattato o termotrattato, ad es. abete rosso nordico, tsuga, pino o abete o in materiali in strati di legno. Se si utilizzano materiali in strati di legno, assicurarsi che le colle ivi presenti non rilascino formaldeide. Se nella cabina vengono utilizzati altri materiali, questi devono essere resistenti al calore e alla corrosione e non devono avere effetti negativi sulla salute di chi fa la sauna.
- La cabina deve avere un'altezza di almeno 1,9 m.
- Osservare i valori prescritti per il volume e la ventilazione della cabina per sauna al capitolo **11. Specifiche tecniche**.
- Durante l'installazione della stufa per sauna osservare le distanze di sicurezza minime (vedi capitolo **4.2. Distanze di sicurezza**).
- Osservare anche le disposizioni locali valide sul posto di installazione.
- Qualora si presentassero problemi non trattati in modo esaustivo nelle presenti istruzioni di montaggio, per la vostra sicurezza, vi preghiamo di rivolgervi al vostro fornitore.

2.3. Indicazioni di sicurezza per l'utilizzatore

- Il dispositivo non deve essere utilizzato da bambini di età inferiore agli 8 anni.
- Questo dispositivo può essere utilizzato da bambini con più di 8 anni di età, da persone con capacità fisiche, sensoriali o mentali limitate e prive della sufficiente esperienza e del know-how necessari, alle seguenti condizioni:
 - se sono in presenza di persone responsabili per loro;
 - se è stato spiegato loro come utilizzare l'apparecchio in modo sicuro e sono chiari i pericoli che ne possono derivare.
- Ai bambini non è permesso giocare con il dispositivo.
- I bambini al di sotto dei 14 anni possono pulire il dispositivo solo in presenza di adulti.
- Se si è sotto l'effetto di alcol, medicinali o droghe, per motivi di salute, evitare di andare in sauna.
- Non mettere mai in funzione la stufa per sauna senza le pietre perché potrebbero verificarsi incendi.

- Prima di accendere il comando della sauna, assicurarsi che sulla stufa per sauna non si trovino oggetti infiammabili.
- PRIMA dell'utilizzo iniziale della sauna, riscaldare la stufa per mezz'ora. NON rimanere nella cabina della sauna durante questo arco di tempo. Quindi aerare bene la cabina (vedi **5.2. Primo riscaldamento** a pagina **21**).
- Non toccare mai la stufa per sauna durante il funzionamento. La superficie della stufa per sauna e le pietre si scaldano molto.
- Qualora si presentassero problemi non trattati in modo esaustivo nelle istruzioni per l'uso, per la vostra sicurezza, vi preghiamo di rivolgervi al vostro fornitore.

3. Descrizione del prodotto

3.1. Dotazione

- Stufa per sauna
- Istruzioni di montaggio e d'uso

3.2. Accessori

<i>Accessori</i>	<i>Numero articolo</i>
Set di supporto per cornice per stufa Concept R mini	CP-RM-HSR-4S / 1-049-506
Corrimano in legno Concept R mini in tiglio	CP-RM-L-4S / 1-049-706
Corrimano in legno Concept R mini in noce	CP-RM-N-4S / 1-049-707
Piede d'appoggio per Concept R mini	CP-RM-SF / 1-043-964
Coperchio piede d'appoggio Concept R mini in tiglio	CP-RM-CSF-L / 1-041-482
Coperchio piede d'appoggio Concept R mini in noce	CP-RM-CSF-N / 1-041-483

3.3. Funzioni del prodotto

Concept R mini è una stufa per sauna finlandese e consente la creazione di un clima tipico dagli 80 ai 100°C con un'umidità dell'aria di circa il 10%.

4. Montaggio e collegamento

Tenere presente i seguenti punti durante l'installazione e il collegamento della stufa per sauna:



AVVERTENZA!

Pericolo di scossa elettrica

- Eseguire i lavori di montaggio e collegamento alla stufa per sauna solo in assenza di tensione.
-
- Il collegamento elettrico deve essere eseguito solo da elettricisti specializzati o da persone con una qualifica simile.
 - Per l'installazione, predisporre sul posto un dispositivo di separazione su tutti i poli con disinnesto totale corrispondente alla categoria di sovratensione III.
 - La stufa per sauna Concept R è una stufa da parete. Prima della messa in funzione è necessario verificare che la stufa sia stata fissata bene sul listello di montaggio.

4.1. Luogo di installazione e posizione della sonda

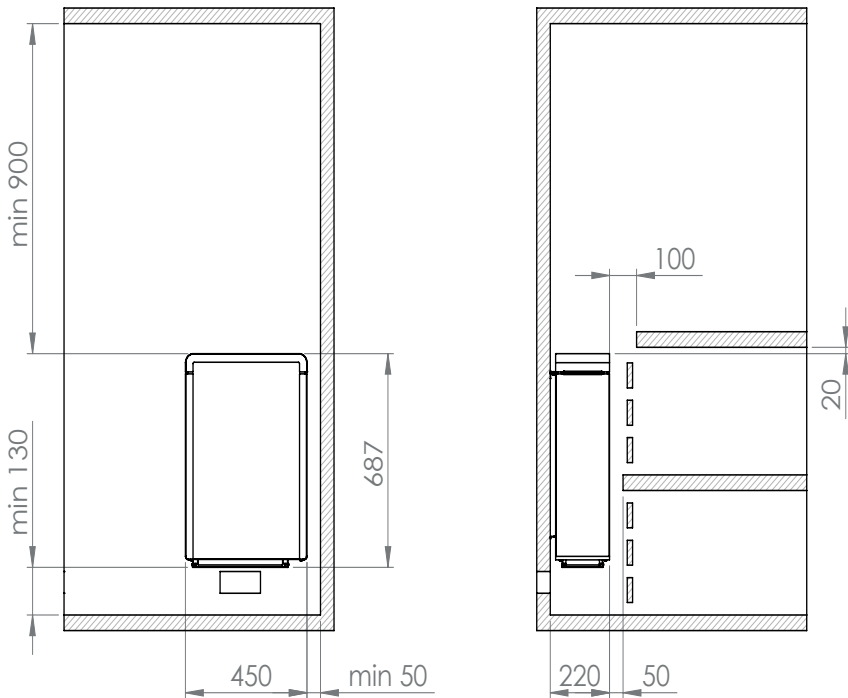
Montare la stufa centralmente davanti all'apertura dell'entrata dell'aria sulla parete della cabina. Durante questa operazione mantenere le distanze di sicurezza indicate nella **Fig. 1** rispetto alla parete della cabina.

Montare la sonda termica con fusibile termico di protezione alla parete della cabina al di sopra del centro della stufa della sauna. Rispettare una distanza di 15 cm dal tetto della cabina.

4.2. Distanze di sicurezza

Osservare le distanze di sicurezza minime indicate nella **Fig. 1**.

Fig. 1 Distanze di sicurezza
Concept R mini 3,5 kW, 4,5 kW, 6,0 kW e 7,5 kW
(CP-RM-35 / CP-RM-45 / CR-RM-60 / CP-RM-75)
Dimensioni in mm



4.3. Montaggio alla parete della cabina

Osservare le **Fig. 1**, **Fig. 2**, **Fig. 3** e **Fig. 4** (pagina **11**, **12**, **13**).

1. Fissare il listello di montaggio **1** orizzontalmente con le viti per legno in dotazione **2**. Rispettare le distanze minime della stufa nella fig. 1.
2. Appendere la stufa **3** dall'alto in basso ilul listello montaggio. La stufa deve essere posizionata saldamente.
3. Fissare la stufa **3** con la vite di sicurezza in dotazione **4** al listello di montaggio **1**.



AVVERTENZA!

Pericolo di incendio

- Per fissare la stufa ed evitare che si sposti, utilizzare la vite di sicurezza 4 fornita in dotazione.

Fig. 2 Listello di montaggio Concept R mini
Dimensioni in mm

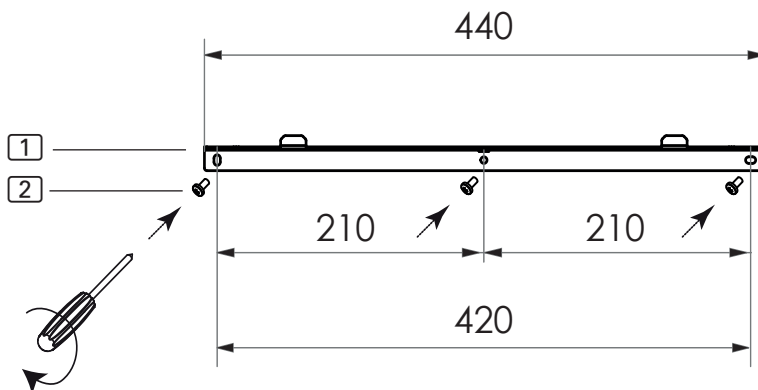


Fig. 3 Posizione del listello di montaggio Concept R mini
Dimensioni in mm

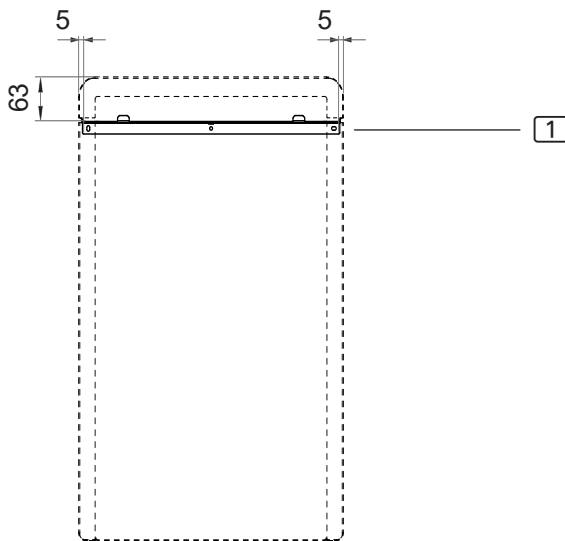
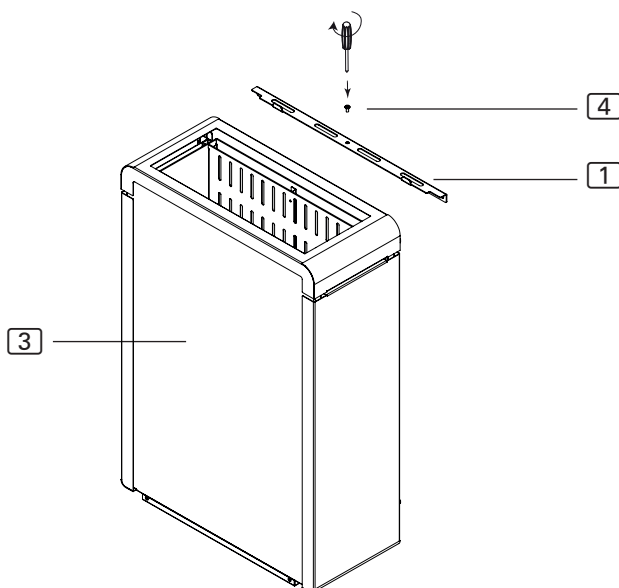


Fig. 4 Fissaggio di sicurezza Concept R mini (listello di montaggio)



4.4. Montaggio con piede d'appoggio (opzionale)

Osservare le **Fig. 1**, **Fig. 5**, **Fig. 6** (pagina **11**, **14**, **15**).

1. Fissare il piede d'appoggio **1** con le viti in dotazione **2** sul lato inferiore della stufa. Osservare durante quest'operazione che la rientranza circolare si trovi sul lato evaporatore.
2. Fissare il piede d'appoggio sul pavimento con le viti in dotazione (**Fig. 6**). A seconda del materiale del pavimento, utilizzare le viti per legno in dotazione o i tasselli con le rispettive viti. Rispettare le distanze minime della stufa nella **Fig. 1**.



AVVERTENZA!

Pericolo di incendio

- Fissare la stufa con il piede d'appoggio direttamente su una superficie sufficientemente solida, ad es. sulla superficie d'appoggio su cui è installata la cabina – NON sul ripiano della sauna.

Fig. 5 Montaggio del piede d'appoggio sulla Concept R mini

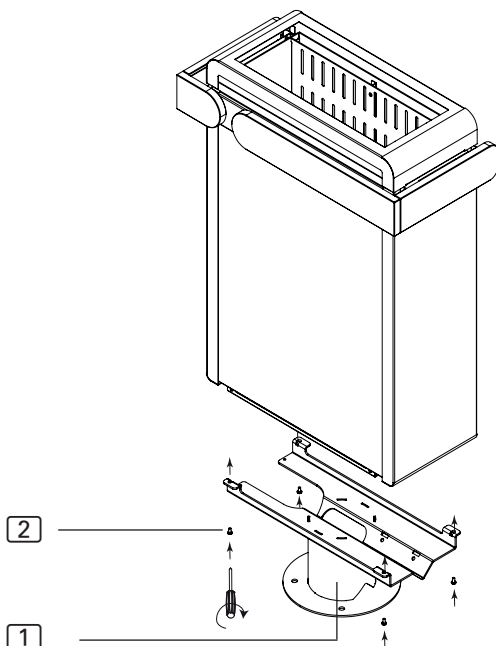
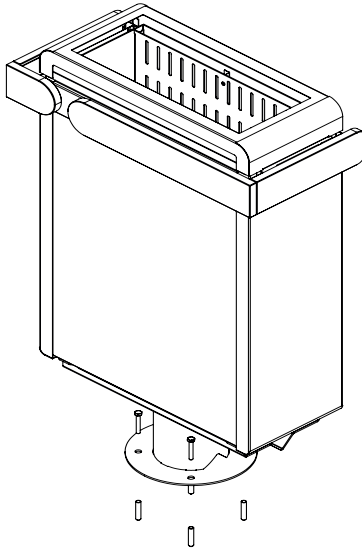
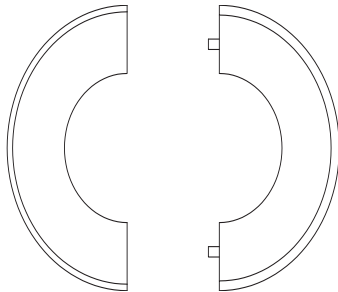
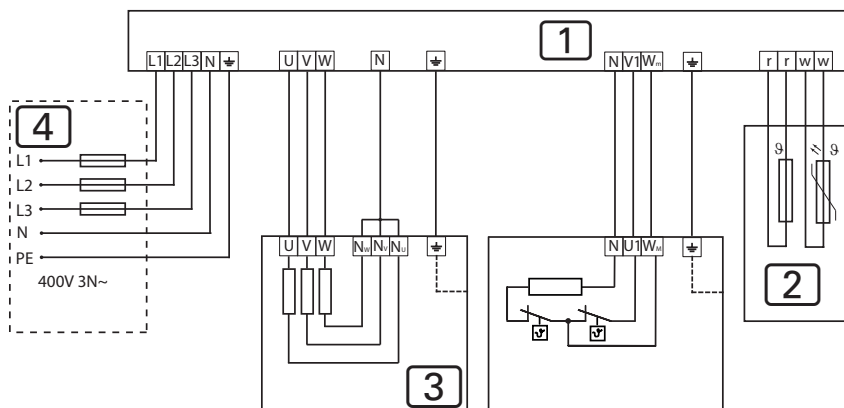


Fig. 6 Fissaggio della Concept R mini con piede d'appoggio**Fig. 7** Montaggio del coperchio in legno per il piede d'appoggio (opzionale)

Per coprire le viti del piede d'appoggio, poggiare le due metà dell'anello di copertura intorno al piede d'appoggio e comprimerle.

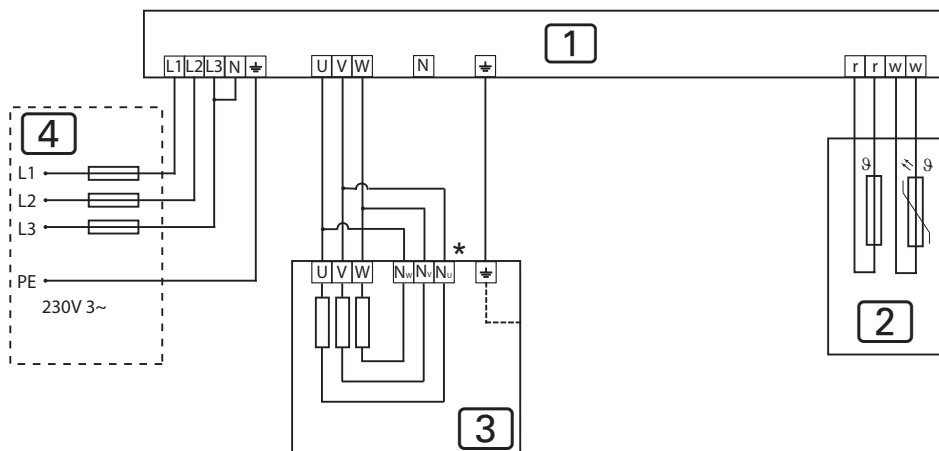
4.5. Schema di collegamento per 400V 3N~

Fig. 8 Schema di collegamento Concept R mini
3,5 kW, 4,5 kW, 6,0 kW e 7,5 kW
(CP-RM-35 / CP-RM-45 / CR-RM-60 / CP-RM-75)



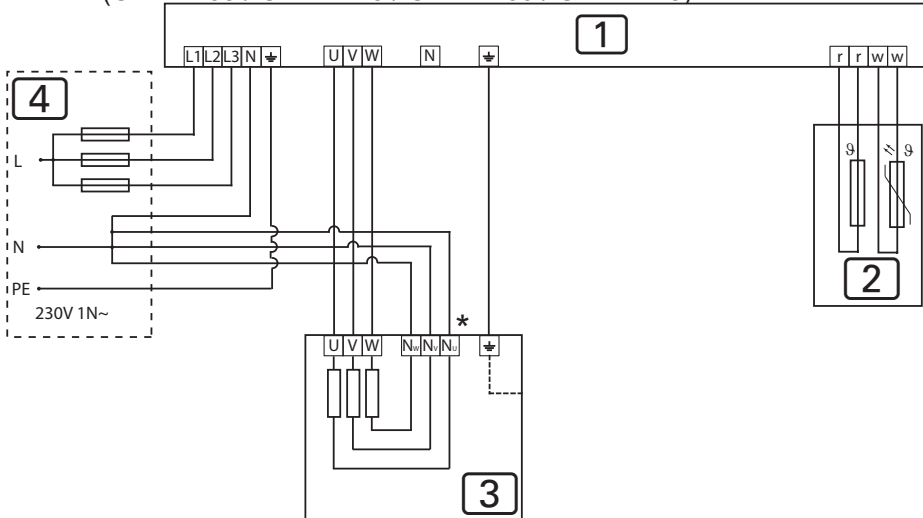
4.6. Schema di collegamento per 230V 3~

Fig. 9 Schema di collegamento Concept R mini
3,5 kW, 4,5 kW e 6,0 kW
(CP-RM-35 / CP-RM-45 / CR-RM-60)



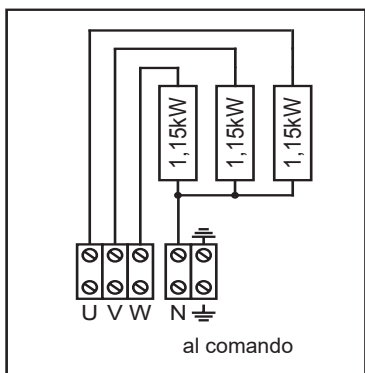
4.7. Schema di collegamento per 230V 1N~

Fig. 10 Schema di collegamento Concept R mini
3,5 kW, 4,5 kW, 6,0 kW e 7,5 kW
(CP-RM-35 / CP-RM-45 / CR-RM-60 / CP-RM-75)

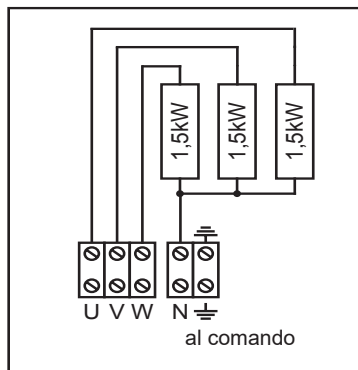


- 1 Comando della sauna
- 2 Sonda termica con fusibile termico di protezione
- 3 Stufa della sauna
- 4 Alimentazione di corrente
- * Rimuovere il ponte in rame

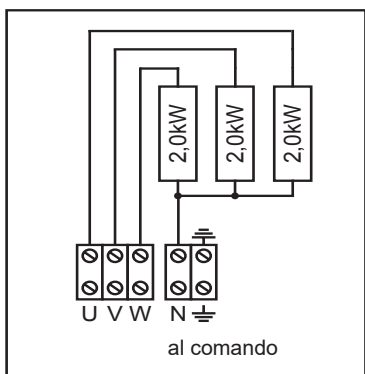
4.8. Schemi di cablaggio



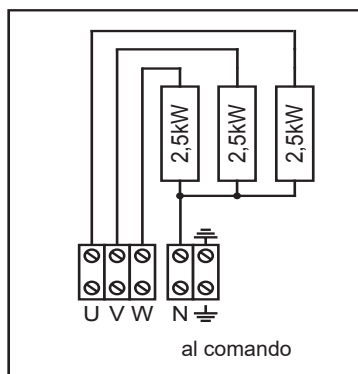
CP-RM-35
3,45 kW



CP-RM-45
4,5 kW



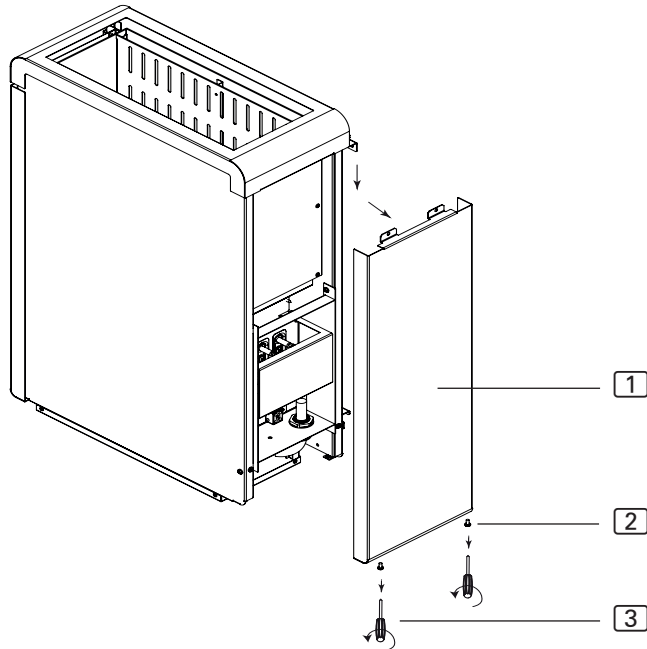
CP-RM-60
6,0 kW



CP-RM-75
7,5 kW

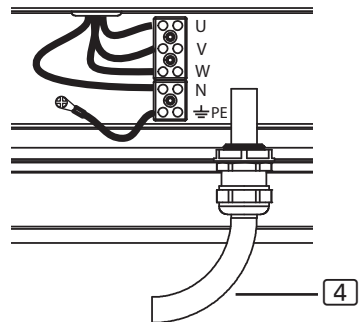
4.9. Collegamento elettrico

1. Allentare le viti **2** e **3** con un cacciavite.
2. Rimuovere la lamiera di copertura **1**.



Collegamento Concept R mini 3,5 kW, 4,5 kW, 6,0 kW e 7,5 kW (CP-RM-35 / CP-RM-45 / CR-RM-60 / CP-RM-75)

1. Inserire il cavo di collegamento attraverso l'apertura di passaggio **4**.
2. Collegare i fili del cavo di collegamento ai morsetti U – V – W – N – PE della stufa per sauna e ai morsetti corrispondenti del comando della sauna. Per questa operazione osservare il manuale di montaggio del comando della sauna.
3. Fissare di nuovo la lamiera di copertura **1** sulla stufa della sauna.



5. Messa in funzione

5.1. Riempimento del contenitore delle pietre

**AVVERTENZA!*****Pericolo d'incendio per surriscaldamento***

Se la stufa per sauna viene utilizzata senza pietre, le pareti della cabina si riscaldano molto. Per questo motivo possono verificarsi incendi.

- Non mettere MAI in funzione la stufa per sauna senza pietre.
-

Per la quantità di pietre adatta alla vostra stufa, consultare il capitolo **11. Specifiche tecniche** (vedi pagina **26**).

1. Prima di utilizzare le pietre per la sauna, lavarle accuratamente con una spazzola e acqua. Non utilizzare additivi per la pulizia.
2. Prima di mettere le pietre nella stufa, controllare se sono presenti corpi estranei e rimuovere i resti dell'imballaggio.
3. Mettere le pietre per sauna nell'apposito contenitore. Collocare le pietre per sauna in modo non troppo ravvicinato, affinché l'aria possa circolare fra gli spazi.
4. Assicurarsi che le pietre non sporgano oltre il bordo del contenitore.

5.2. Primo riscaldamento



ATTENZIONE!

Formazione di fumo e odori durante il primo riscaldamento

Sulle nuove resistenze si trovano materiali di consumo derivanti dal processo di produzione. Questi si disgregano al momento del primo riscaldamento della stufa. Ciò produce fumo e un odore sgradevole. In caso di inalazione, questi fumi e vapori sono nocivi per la salute.

Eseguire i seguenti passaggi se si mette in funzione **per la prima volta** la stufa e se **sono state sostituite le resistenze**. In tal modo si evitano danni alla salute dovuti a fumi e vapori che derivano dal primo riscaldamento.

1. Selezionare la temperatura più alta possibile sul comando della sauna.
2. Riscaldare la stufa per mezz'ora.
NON rimanere nella cabina durante questo arco di tempo.
3. Aerare bene la cabina dopo il primo riscaldamento.
4. Se al successivo riscaldamento non si produce alcun odore e fumo, si può procedere alla prima sauna.

Se continuano a prodursi odore e fumo, uscire immediatamente dalla cabina della sauna e ripetere la procedura del primo riscaldamento con successiva aerazione.

6. Impiego



AVVERTENZA!

Pericolo di incendio

Gli oggetti infiammabili che poggiano sulla stufa calda, infiammandosi causano incendi.

- Non appoggiare MAI oggetti infiammabili sulla stufa.
 - Prima di mettere in funzione la stufa per sauna, assicurarsi che su quest'ultima NON poggino oggetti infiammabili.
-

6.1. Utilizzo della stufa per sauna

Il comando della stufa per sauna avviene mediante un dispositivo di comando della sauna. Per informazioni sul comando della sauna leggere il manuale di istruzioni dell'apparecchio utilizzato. Osservare che la stufa per sauna Concept R mini è adatta solo per comandi della sauna senza funzione di avvio remoto.

6.2. Gettata di vapore

Al termine della sauna è possibile eseguire una gettata di vapore. A tal fine versare acqua con un mestolo sulle pietre. Così facendo l'acqua evapora e l'umidità dell'aria nella cabina aumenta.

Durante la gettata di vapore, osservare i seguenti punti:

- Per la gettata di vapore utilizzare solo acqua del rubinetto. L'acqua salata e l'acqua contenente molto calcare e cloro possono danneggiare la stufa della sauna.
- Utilizzare solo aromi e oli essenziali adatti per essere utilizzati come sostanze per la gettata di vapore nelle saune. Osservare le indicazioni del produttore presenti sulla confezione delle essenze utilizzate per la gettata di vapore.
- Non versare l'acqua troppo velocemente sulle pietre. Solo così l'acqua per la gettata di vapore evapora completamente.

7. Manutenzione

7.1. Pause di funzionamento prolungate

In caso di condizioni ambientali umide o in seguito a pause di funzionamento prolungate, si accumula umidità nelle resistenze. Questo è un processo fisico e non un errore del produttore. L'umidità nelle resistenze può far scattare l'interruttore differenziale di protezione. Per eliminare il problema in questo caso informare un elettricista (vedi capitolo **9. Risoluzione del problema con l'intervento di un installatore**).



Riscaldare la stufa della sauna ogni 5, 6 settimane per ca. 15 minuti. In questo modo si impedisce l'accumulo d'acqua nelle resistenze in caso di pause di funzionamento prolungate.

7.2. Pulizia della stufa per sauna

Assicurarsi che le bocchette di aerazione siano libere da pelucchi e polvere. In questo modo si evita che diminuisca la circolazione dell'aria nella stufa e il surriscaldamento del dispositivo.

7.3. Sostituzione delle pietre

Le pietre subiscono forti sollecitazioni da parte delle sostanze per la gettata di vapore e dalle grandi differenze di temperatura che possono presentarsi con l'uso. Le pietre possono consumarsi o diventare friabili.

Controllare le pietre a intervalli regolari e sostituirle almeno una volta l'anno.



AVVERTENZA!

Pericolo d'incendio per surriscaldamento

Se la stufa per sauna viene utilizzata senza pietre, le pareti della cabina si riscaldano molto. Per questo motivo possono verificarsi incendi.

- Non mettere MAI in funzione la stufa per sauna senza pietre.

1. Rimuovere le pietre vecchie.
2. Eliminare dal contenitore delle pietre residui di calcare, polvere e altre impurità.
3. Prima di utilizzare le pietre per la sauna, lavarle accuratamente con una spazzola e acqua. Non utilizzare additivi per la pulizia.
4. Prima di mettere le pietre nella stufa, controllare se sono presenti corpi estranei e rimuovere i resti dell'imballaggio.
5. Mettere le pietre per sauna nell'apposito contenitore. Collocare le pietre per sauna in modo non troppo ravvicinato, affinché l'aria possa circolare fra gli spazi.
6. Assicurarsi che le pietre non sporgano oltre il bordo del contenitore.

8. Smaltimento



- Smaltire i materiali dell'imballaggio conformemente alle normative sullo smaltimento vigenti.
- I vecchi apparecchi contengono materiali riciclabili ma anche sostanze dannose. Non gettare mai l'apparecchio usato insieme ai rifiuti non riciclabili, bensì smaltirlo in conformità alle norme vigenti a livello locale.

9. Risoluzione del problema con l'intervento di un installatore

Riscaldamento delle resistenze

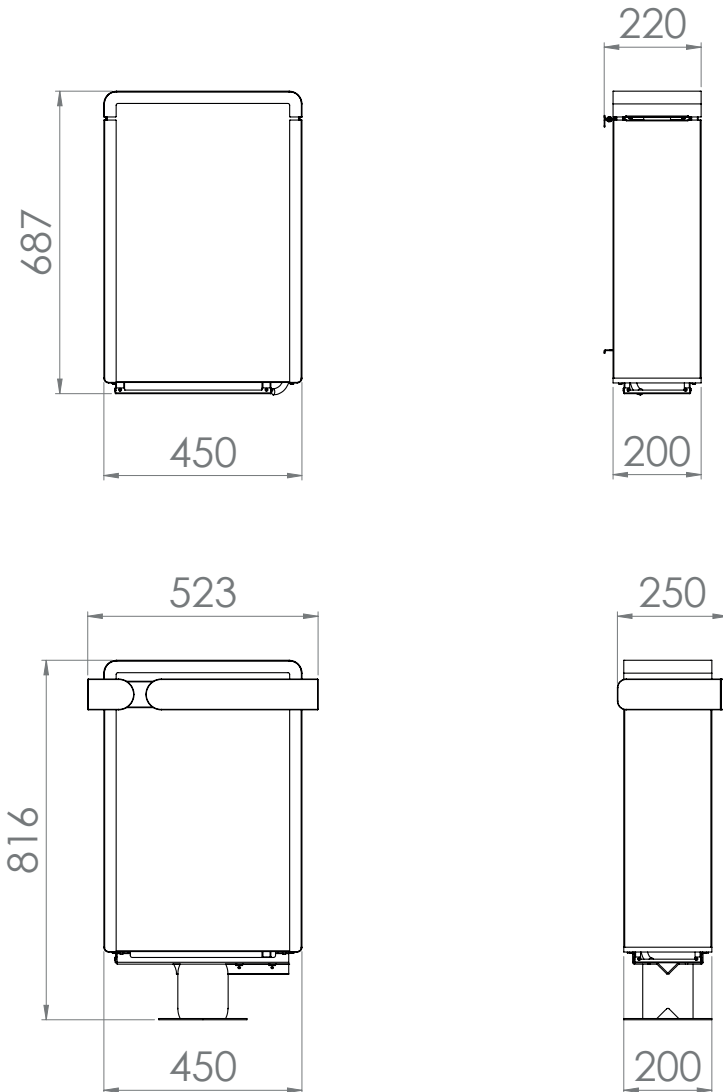
In caso di condizioni ambientali umide o in seguito a pause di funzionamento prolungate, può accumularsi umidità nelle resistenze. Questo è un processo fisico e non un errore del produttore. L'umidità nelle resistenze, in alcuni casi, può far scattare l'interruttore differenziale di protezione.

In questo caso è necessario riscaldare la stufa in presenza di un elettricista. A tal fine, la funzione di protezione dell'interruttore differenziale deve essere disattivata. Il processo di riscaldamento dura ca. 10 minuti. Dopodiché ripristinare la funzione di protezione dell'interruttore differenziale.

Se il problema persiste, rivolgersi al proprio fornitore.

10. Dimensioni

Fig. 11 Dimensioni Concept R mini 3,5 kW, 4,5 kW 6,0 kW e 7,5 kW
(CP-RM-35 / CP-RM-45 / CR-RM-60 / CP-RM-75)
Misure in mm



11. Specifiche tecniche

Per le dimensioni consultare la **Fig. 11**.

<i>Numero articolo</i>	<i>Potenza [kW]</i>	<i>Volume della cabina [m³]</i>	<i>Dimensione minima bocchetta di aerazione [mm]</i>	<i>Peso senza pietre [kg]</i>
CP-RM-35	3,45	3 - 5	350 x 20	19,5
CP-RM-45	4,5	4 - 6	350 x 25	19,5
CP-RM-60	6,0	5 - 8	350 x 30	19,5
CP-RM-75	7,5	7 - 11	350 x 35	19,5

<i>Numero articolo</i>	<i>Quantità di pietre [kg]</i>	<i>Protezione [A]</i>	<i>Alimentazione</i>
CP-RM-35	ca. 15	3 x 10	400 V AC 3N~ 50/60 Hz 230 V AC 1N~ 50/60 Hz 230 V AC 3~ 50/60 Hz
CP-RM-45	ca. 15	3 x 10	400 V AC 3N~ 50/60 Hz 230 V AC 1N~ 50/60 Hz 230 V AC 3~ 50/60 Hz
CP-RM-60	ca. 15	3 x 10	400 V AC 3N~ 50/60 Hz 230 V AC 1N~ 50/60 Hz 230 V AC 3~ 50/60 Hz
CP-RM-75	ca. 15	3 x 16	400 V AC 3N~ 50/60 Hz 230 V AC 1N~ 50/60 Hz

<i>Numero articolo</i>	<i>Resistenze</i>
CP-RM-35	3 x CPRM115 (1-043-621)
CP-RM-45	3 x SCA150 (1-028-518)
CP-RM-60	3 x SCA200 (1-028-503)
CP-RM-75	3 x CPRM250 (1-042-346)



Saunakachel

Concept R mini

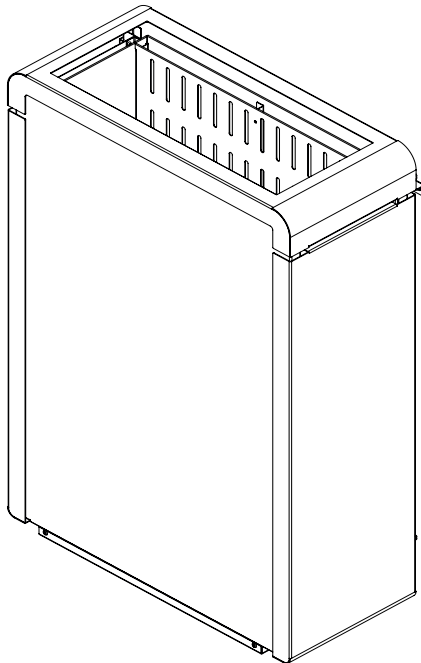
CP-RM-35 / 1-030-892: Concept R mini 3,5 kW

CP-RM-45 / 1-030-962: Concept R mini 4,5 kW

CP-RM-60 / 1-030-984: Concept R mini 6,0 kW

CP-RM-75 / 1-038-852: Concept R mini 7,5 kW

MONTAGE- EN GEBRUIKSAANWIJZING Nederlands



NL

Inhoudsopgave

1. Over deze handleiding	4
2. Belangrijke aanwijzingen voor uw veiligheid	5
2.1. Reglementair gebruik	5
2.2. Veiligheidsaanwijzingen voor de monteur	6
2.3. Veiligheidsaanwijzingen voor de gebruiker	7
3. Productbeschrijving	9
3.1. Leveromvang	9
3.2. Toebehoren	9
3.3. Productfuncties	9
4. Montage en aansluiting	10
4.1. Plaats van opstelling en voelerpositie	10
4.2. Veiligheidsafstanden	11
4.3. Montage aan de cabinewand	12
4.4. Montage met standvoet (optioneel)	14
4.5. Aansluitschema voor 400V 3N~	16
4.6. Aansluitschema voor 230V 3~	16
4.7. Aansluitschema voor 230V 1N~	17
4.8. Bedradingschema's	18
4.9. Elektrische aansluiting	19
5. Inbedrijfstelling	20
5.1. Steenhouder vullen	20
5.2. Eerste keer verwarmen	21

6. Bediening	22
6.1. Saunakachel bedienen.....	22
6.2. Opgieten.....	22
7. Onderhoud	23
7.1. Langere bedrijfspauzes.....	23
7.2. Saunakachel reinigen.....	23
7.3. Saunastenen wisselen.....	23
8. Afvoer	24
9. Oplossen van problemen door de monteur	24
10. Afmetingen	25
11. Technische gegevens	26

1. Over deze handleiding

Lees deze montage- en gebruiksaanwijzing goed door en bewaar deze in de buurt van de sauna. Zo kunt u te allen tijde informatie over uw veiligheid en de bediening nalezen.



U vindt deze montage- en gebruiksaanwijzing ook in het downloadbereik van onze website www.sentiotec.com/downloads.

Symbolen in waarschuwingsaanwijzingen

In deze montage- en gebruiksaanwijzing staat bij werkzaamheden die gevaarlijk kunnen zijn een waarschuwingsaanwijzing. Neem deze waarschuwingsaanwijzingen steeds in acht. Zo voorkomt u materiële schade, letsel en zelfs de dood.

In de waarschuwingsaanwijzingen worden signaalwoorden gebruikt die de volgende betekenis hebben:



GEVAAR!

Als u deze waarschuwingsaanwijzing niet in acht neemt, leidt dit tot ernstig letsel of de dood.



WAARSCHUWING!

Als u deze waarschuwingsaanwijzing niet in acht neemt, kan dit leiden tot ernstig letsel of de dood.



VOORZICHTIG!

Als u deze waarschuwingsaanwijzing niet opvolgt, kan dit leiden tot licht letsel.

ATTENTIE!

Dit signaalwoord waarschuwt voor materiële schade.

Andere symbolen



Dit symbool kenmerkt tips en nuttige aanwijzingen.



Niet afdekken!



Bedieningshandleiding lezen

2. Belangrijke aanwijzingen voor uw veiligheid

De saunakachel Concept R mini is gebouwd volgens de erkende veiligheidstechnische regels. Toch kunnen bij gebruik gevaren ontstaan. Neem daarom volgende veiligheidsaanwijzingen en de speciale waarschuwingaanwijzingen in de afzonderlijke hoofdstukken in acht.

2.1. Reglementair gebruik

De saunakachel Concept R mini mag uitsluitend worden gebruikt voor de verwarming van saunacabines in combinatie met een saunabesturing zonder startfunctie op afstand.

Alleen in combinatie met de optioneel verkrijgbare veiligheidsuitschakeling mag de saunakachel Concept R mini ook in combinatie met een saunabesturing met startfunctie op afstand worden gebruikt.

Alleen in combinatie met de optioneel verkrijgbare veiligheidsuitschakeling mag de saunakachel Concept R mini ook in openbare sauna's worden gebruikt.

Elk ander gebruik geldt als niet-reglementair. Niet-reglementair gebruik kan leiden tot productbeschadiging, ernstig letsel of de dood.

2.2. Veiligheidsaanwijzingen voor de monteur

- Montage- en aansluitwerkzaamheden aan de saunakachel mogen uitsluitend in stroomloze toestand worden uitgevoerd.
- De montage mag alleen door een elektricien of een vergelijkbaar gekwalificeerde persoon worden uitgevoerd.
- Op de plaats van opstelling moet een volledige scheidingsinrichting met complete uitschakeling overeenkomstig de overspanningscategorie III worden aangebracht.
- Gebruik voor de aansluiting van de saunakachel uitsluitend tot 150 °C temperatuurbestendige siliconenleidingen.
- Monteer slechts één saunakachel in de cabine. De saunakachel Concept R mini mag niet samen met andere saunakachels in één saunacabine worden gebruikt.
- Plafonds en muren van de saunacabine moeten van harsarm, onbehandeld of thermisch behandeld hout zijn vervaardigd, zoals Noorse spar, Canadese den, grenen- of sparrenhout, of van materialen met houtlagen. Bij gebruik van materialen met houtlagen mogen de kleefstoffen geen formaldehyde afgeven. Indien andere materialen dan hout in de saunacabine worden gebruikt, moeten deze hitte- en roestbestendig zijn en mogen deze materialen geen negatieve invloed hebben op de gezondheid van de saunagasten.
- De hoogte van de saunacabine moet minstens 1,9 m bedragen.
- Neem de gegevens over volume en ventilatie van de saunacabine in acht in hoofdstuk **11. Technische gegevens**.
- Neem bij het opstellen van de saunakachel de minimale veiligheidsafstanden in acht (zie hoofdstuk **4.2. Veiligheidsafstanden**).
- Neem ook de plaatselijke bepalingen op de plaats van opstelling in acht.
- Raadpleeg voor problemen die in de montageaanwijzingen niet uitvoerig genoeg werden behandeld in het belang van uw eigen veiligheid uw leverancier.

2.3. Veiligheidsaanwijzingen voor de gebruiker

- Het apparaat mag niet door kinderen onder 8 jaar worden gebruikt.
- Het apparaat mag door kinderen boven 8 jaar, door personen met verminderde psychische, sensorische of mentale vaardigheden en door personen met gebrek aan ervaring en kennis worden gebruikt, mits:
 - onder toezicht.
 - indien veilig gebruik werd gedemonstreerd en ze de gevaren die kunnen ontstaan, begrijpen.
- Kinderen mogen niet met het apparaat spelen.
- Kinderen onder 14 jaar mogen het apparaat alleen onder toezicht reinigen.
- Maak in het belang van uw eigen gezondheid geen gebruik van de sauna, indien u onder invloed staat van alcohol, medicamenten of drugs.
- Gebruik de saunakachel in geen geval zonder saunastenen, omdat anders brand kan ontstaan.

- Controleer of er geen brandbare voorwerpen op de saunakachel liggen voordat u de saunabesturing inschakelt.
- Verwarm de saunakachel VOOR het eerste saunabad een half uur. Betreed gedurende deze tijd de saunacabine NIET. Ventileer de saunacabine vervolgens grondig (zie **5.2. Eerste keer verwarmen** op pagina **21**).
- Raak de saunakachel tijdens bedrijf nooit aan. Het oppervlak van de saunakachel en de saunastenen worden zeer heet.
- Raadpleeg voor problemen die in de gebruiksaanwijzing niet uitvoerig genoeg werden behandeld in het belang van uw eigen veiligheid uw leverancier.

3. Productbeschrijving

3.1. Leveromvang

- Saunakachel
- Montage- en gebruiksaanwijzing

3.2. Toebehoren

<i>Toebehoren</i>	<i>Artikelnummer</i>
Houderset voor kachelregeling Concept R mini	CP-RM-HSR-4S / 1-049-506
Houten reling Concept R mini lindehout	CP-RM-L-4S / 1-049-706
Houten reling Concept R mini notenhout	CP-RM-N-4S / 1-049-707
Standvoet voor Concept R mini	CP-RM-SF / 1-043-964
Afdekking standvoet Concept R mini lindehout	CP-RM-CSF-L / 1-041-482
Afdekking standvoet Concept R mini notehout	CP-RM-CSF-N / 1-041-483

3.3. Productfuncties

De saunakachel Concept R mini is een Finse saunakachel voor een voor de Finse sauna typisch saunaklimaat van 80 tot 100 °C bij een luchtvochtigheid van ca. 10%.

4. Montage en aansluiting

Neem volgende punten in acht bij het opstellen en aansluiten van de saunakachel:



WAARSCHUWING!

Gevaar voor elektrische schok

- Voer de montage- en aansluitwerkzaamheden aan de saunakachel alleen in stroomloze toestand uit.
-

- De elektrische aansluiting mag alleen door een elektricien of een vergelijkbaar gekwalificeerde persoon worden uitgevoerd.
- Op de plaats van opstelling moet een volledige scheidingsinrichting met complete uitschakeling overeenkomstig de overspanningscategorie III worden aangebracht.
- De saunakachel Concept R mini is een standkachel. De vaste bevestiging van de kachel op de montagelijst moet voor inbedrijfstelling worden gecontroleerd.

4.1. Plaats van opstelling en voelerpositie

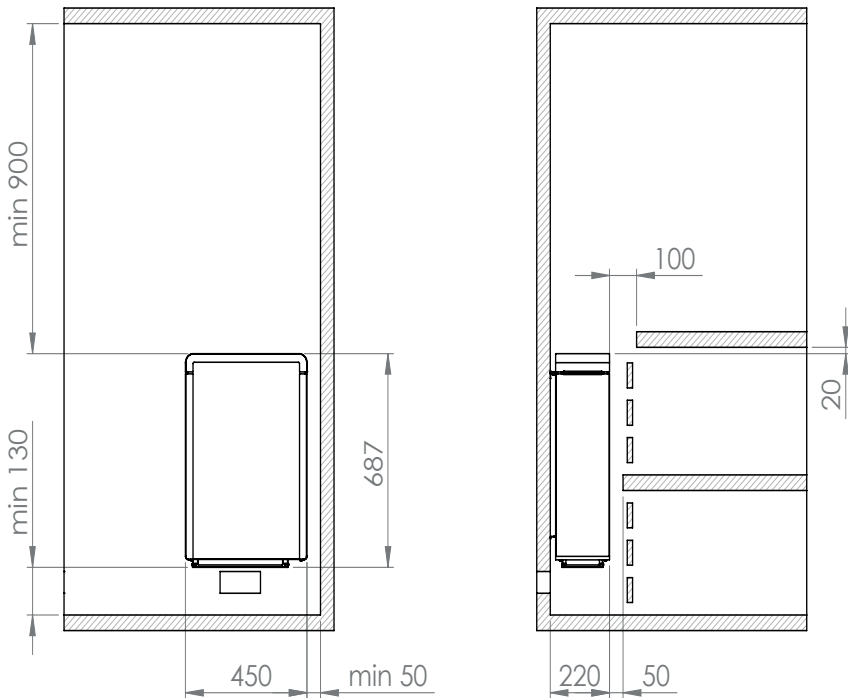
Monteer de kachel in het midden voor de luchtinlaat aan de cabinewand. Houd hierbij de in **afb. 1** aangegeven veiligheidsafstanden tot de cabinewand aan.

Monteer de temperatuurvoeler met oververhittingsbeveiliging aan de cabinewand boven het midden van de saunakachel. Houd een afstand van 15 cm tot het cabineplafond aan.

4.2. Veiligheidsafstanden

Neem de in **afb. 1** aangegeven minimale veiligheidsafstanden in acht.

afb. 1 Veiligheidsafstanden
Concept R mini 3,5 kW, 4,5 kW, 6,0 kW en 7,5 kW
(CP-RM-35 / CP-RM-45 / CR-RM-60 / CP-RM-75)
afmetingen in mm



4.3. Montage aan de cabinewand

Neem **afb. 1**, **afb. 2**, **afb. 3** en **afb. 4** (pagina **11**, **12**, **13**) in acht.

1. Bevestig de montagelijst **[1]** horizontaal met meegeleverde houtschroeven **[2]** aan de wand. Neem hierbij de minimum afstanden van de kachel in acht in **afb. 1**.
2. Hang de kachel **[3]** van boven naar beneden onder aan de montagelijst. Lijn de kachel hierbij goed uit.
3. Borg de kachel **[3]** middels meegeleverde borgschroef **[4]** op de montagelijst **[1]**.

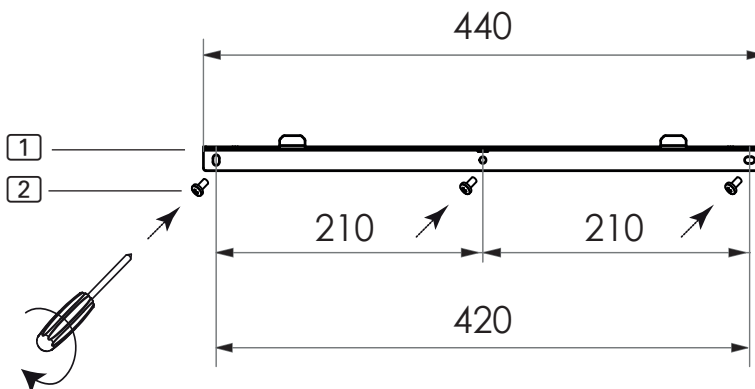


WAARSCHUWING!

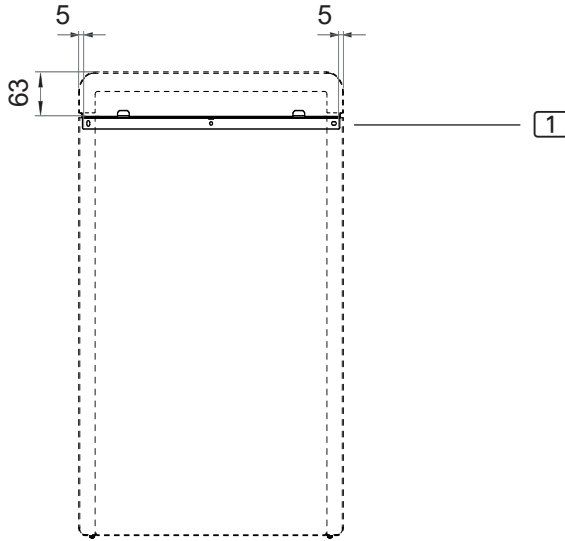
Brandgevaar

- Om de kachel te borgen en tegen wegglijden te beveiligen, bevestigt u deze met de meegeleverde borgschroef 4.

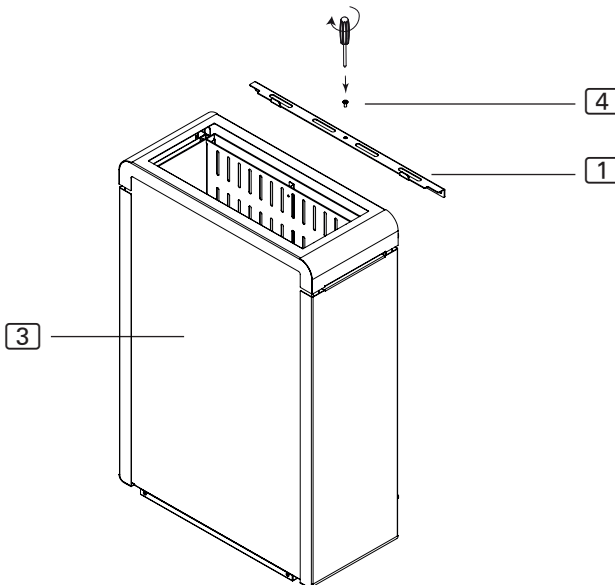
afb. 2 Montagelijst Concept R mini
afmetingen in mm



afb. 3 Positie van de montagelijst Concept R mini afmetingen in mm



afb. 4 Beveiliging Concept R mini (montagelijst)



4.4. Montage met standvoet (optioneel)

Neem de **afb. 1**, **afb. 5**, **afb. 6** in acht (pagina **11**, **14**, **15**).

1. Bevestig de standvoet **1** met de bijgeleverde schroeven **2** op de onderzijde van de kachel. Let daarbij op dat de ronde uitsparing zich aan de verdamperzijde bevindt.
2. Bevestig de standvoet met de bijgeleverde schroeven aan de bodem (**afb. 6**). Gebruik afhankelijk van de aard van de bodem de bijgeleverde houtschroeven of de pluggen met bijbehorende schroeven. Neem hierbij de minimumafstanden van de kachel in **afb. 1** in acht.

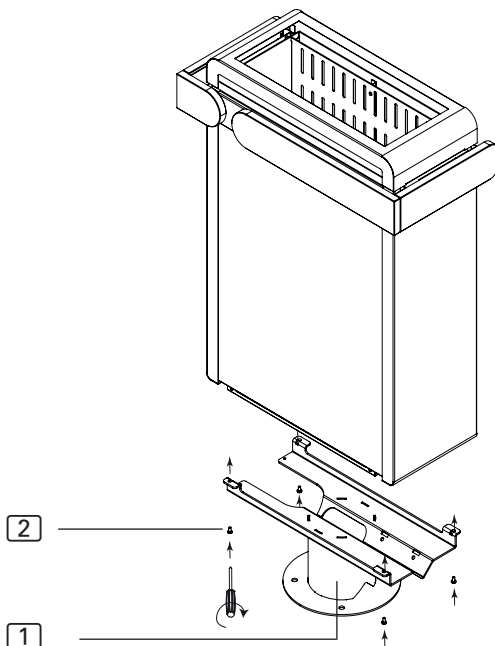


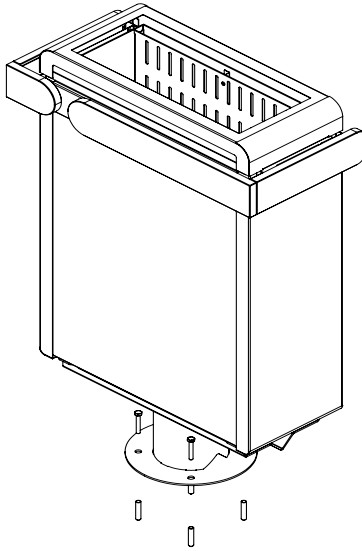
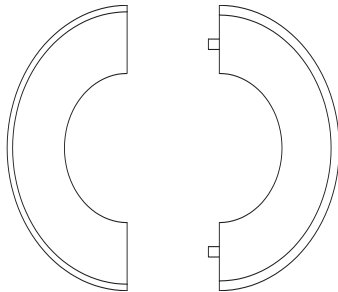
WAARSCHUWING!

Brandgevaar

- Bevestig de kachel met standvoet direct op een voldoende stevige ondergrond, bijvoorbeeld op de ondergrond waarop de saunacabine is opgebouwd – NIET op de inlegbodem van de sauna.

afb. 5 Montage standvoet aan Concept R mini

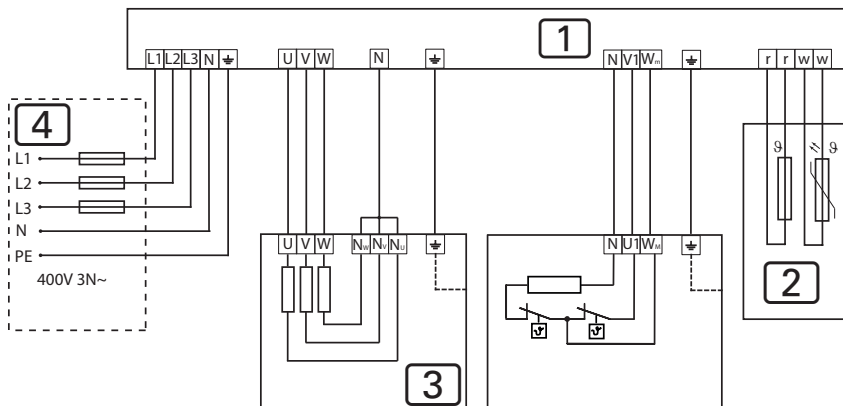


afb. 6 Bevestiging Concept R mini met standvoet**afb. 7** Montage van de houtafdekking voor de standvoet (optioneel)

Om de schroeven van de standvoet af te dekken, legt u de twee helften van de afdekking rond de standvoet en drukt deze dan stevig in elkaar.

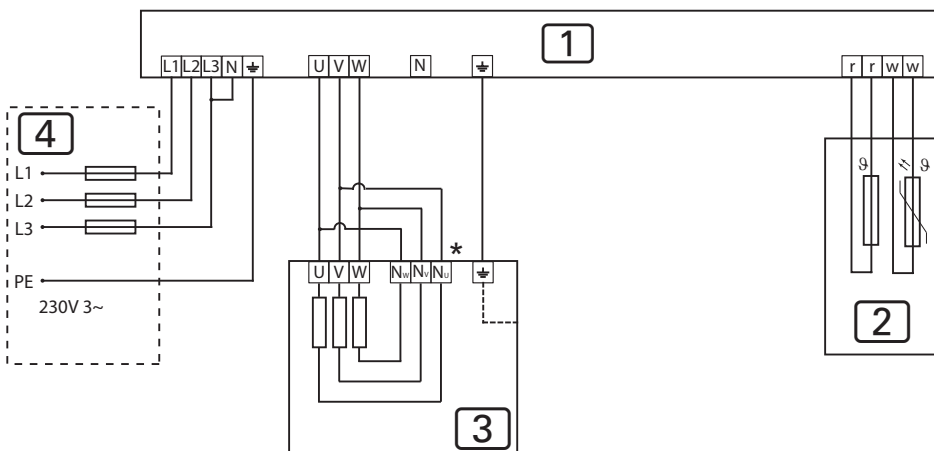
4.5. Aansluitschema voor 400V 3N~

afb. 8 Aansluitschema Concept R mini
 3,5 kW, 4,5 kW, 6,0 kW en 7,5 kW
 (CP-RM-35 / CP-RM-45 / CR-RM-60 / CP-RM-75)



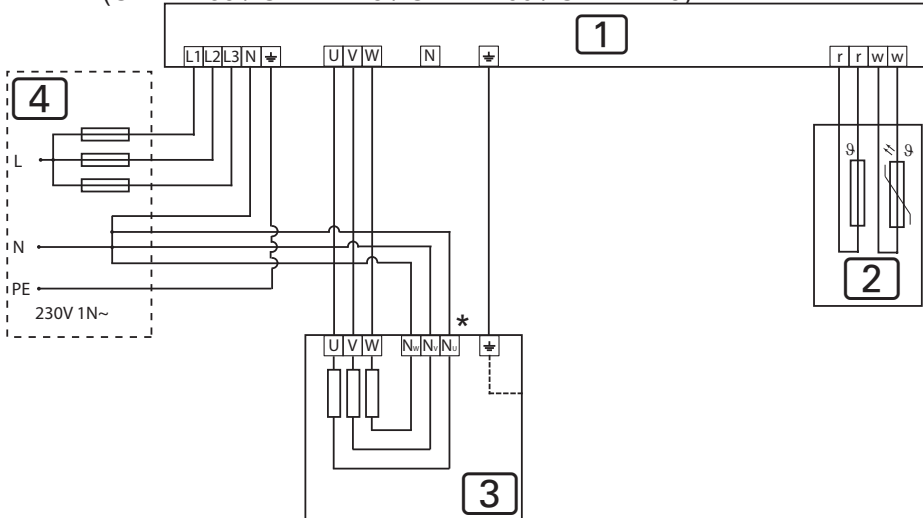
4.6. Aansluitschema voor 230V 3~

afb. 9 Aansluitschema Concept R mini
 3,5 kW, 4,5 kW en 6,0 kW
 (CP-RM-35 / CP-RM-45 / CR-RM-60)



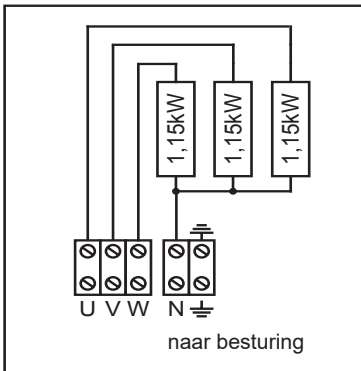
4.7. Aansluitschema voor 230V 1N~

afb. 10 Aansluitschema Concept R mini
3,5 kW, 4,5 kW, 6,0 kW en 7,5 kW
(CP-RM-35 / CP-RM-45 / CR-RM-60 / CP-RM-75)

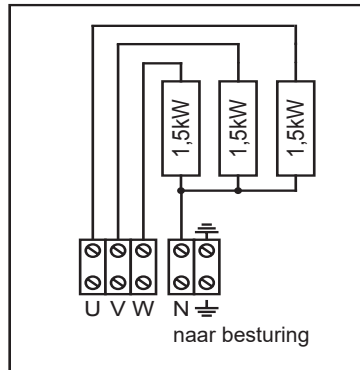


- 1 Saunabesturing
- 2 Temperatuurvoeler met oververhittingsbeveiliging
- 3 Saunakachel
- 4 Stroomvoorziening
- * Koper-brug verwijderen

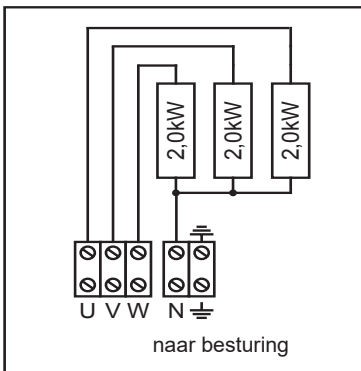
4.8. Bedradingschema's



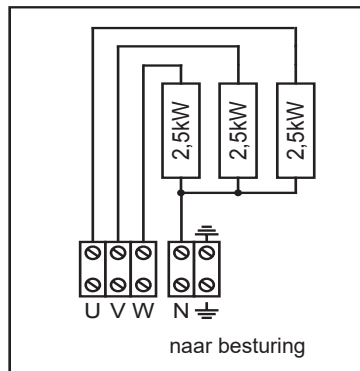
CP-RM-35
3,45 kW



CP-RM-45
4,5 kW



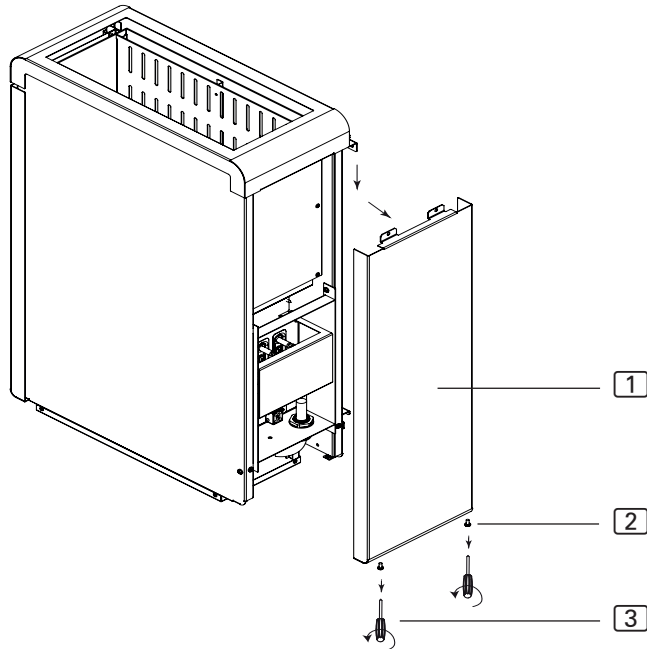
CP-RM-60
6,0 kW



CP-RM-75
7,5 kW

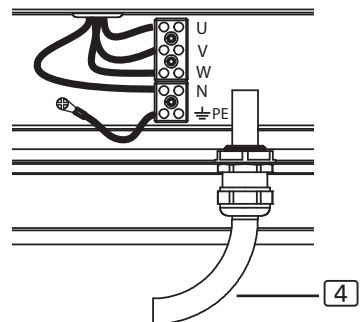
4.9. Elektrische aansluiting

1. Draai de schroeven **2** en **3** los met een schroevendraaier.
2. Verwijder afdekplaat **1**.



Aansluiting Concept R mini 3,5 kW, 4,5 kW, 6,0 kW en 7,5 kW (CP-RM-35 / CP-RM-45 / CR-RM-60 / CP-RM-75)

1. Leid de aansluitkabel door de doorvoering **4**.
2. Sluit de aders van de aansluitkabel aan op de klemmen U – V – W – N – PE van de saunakachel en op de passende klemmen van de saunabesturing. Neem hierbij de montagehandleiding van de saunabesturing in acht.
3. Bevestig de afdekplaat **1** weer op de saunakachel.



5. Inbedrijfstelling

5.1. Steenhouder vullen

**WAARSCHUWING!*****Brandgevaar door oververhitting***

Als de saunakachel zonder saunastenen wordt gebruikt, worden de cabinewanden zeer heet. Hierdoor kan brand ontstaan.

- Gebruik de saunakachel **NOOIT** zonder saunastenen.
-

De voor uw kachel geschikte hoeveelheid stenen vindt u in hoofdstuk **11**.

Technische gegevens (zie pagina **26**).

1. Borstel de saunastenen voor gebruik grondig met water. Gebruik geen reinigingsmiddelen.
2. Controleer de stenen voor vullen in de saunakachel op vreemde deeltjes en verwijder verpakkingsresten.
3. Plaats de saunastenen in de steenhouder. Arrangeer de saunastenen los ten opzichte van elkaar, zodat nog lucht tussen de tussenruimtes kan doorstromen.
4. De saunastenen mogen niet over de rand van de steenhouder uitkomen.

5.2. Eerste keer verwarmen



VOORZICHTIG!

Rook- en geurvorming bij de eerste keer verwarmen

Op nieuwe verwarmingsstaven bevinden zich bedrijfsstoffen van het productieproces. Deze verdwijnen bij de eerste keer verwarmen van de saunakachel. Hierbij ontstaan rook en een onaangename geur. Als u deze dampen of de rook inademt, is dit schadelijk voor uw gezondheid.

Voer de volgende stappen uit, als u uw saunakachel **de eerste keer in bedrijf neemt** en nadat de **verwarmingsstaven van uw saunakachel** vervangen werden. Zo voorkomt u schade aan uw gezondheid door dampen en rook die ontstaan bij de eerste keer verwarmen.

1. Kies op de saunabediening de hoogst mogelijke temperatuur.
2. Verwarm de saunakachel gedurende een half uur.
Betreed gedurende deze tijd de saunacabine NIET.
3. Ventileer de saunacabine na de eerste keer verwarmen goed.
4. Als bij de volgende keer verwarmen geen rook en geuren meer ontstaan, kunt u met het eerste saunabad beginnen.
Als opnieuw rook en geuren ontstaan, de saunacabine onmiddellijk verlaten en de eerste keer verwarmen en aansluitend luchten herhalen.

6. Bediening



WAARSCHUWING!

Brandgevaar

Brandbare voorwerpen die op de hete saunakachel liggen kunnen ontvlammen en brand veroorzaken.

- Leg **NOOIT** brandbare voorwerpen op de saunakachel.
 - Controleer of **GEEN** brandbare voorwerpen op de saunakachel liggen, alvorens de saunakachel in te schakelen.
-

6.1. Saunakachel bedienen

De saunakachel wordt bediend met een saunabesturing. Voor informatie over bediening van saunabesturing leest u de bedieningshandleiding van het gebruikte apparaat. Let op dat de saunakachel Concept R mini alleen geschikt is voor saunabesturingen zonder startfunctie op afstand.

6.2. Opgieten

Aan het einde van de saunagang kunt u opgieten. Giet dan water met een saunalepel over de saunastenen. Hierdoor verdampt water en wordt de luchtvochtigheid in de saunacabine verhoogd.

Neem voor opgieten de volgende punten in acht:

- Gebruik voor opgieten alleen leidingwater. Zeewater, sterk kalkhoudend water en chloorwater kunnen de saunakachel beschadigen.
- Gebruik alleen geurstoffen en etherische oliën die uitdrukkelijk voor gebruik als opgietmiddel in sauna's geschikt zijn. Neem de fabrikantgegevens op de verpakking van het opgietmiddel in acht.
- Giet niet te snel water over de saunastenen. Alleen dan verdampt het opgietwater volledig.

7. Onderhoud

7.1. Langere bedrijfspauzes

In vochtige omgevingen of bij lange bedrijfspauzes verzamelt zich vocht in de verwarmingsstaven. Dit is een fysisch proces en geen fout van de fabrikant. Het vocht in de verwarmingsstaven kan leiden tot het activeren van de aardlekschakelaar. Raadpleeg in dit geval een elektricien om de storing te verhelpen (zie hoofdstuk 9. **Oplossen van problemen door de monteur**).



Verwarm de saunakachel elke 5 tot 6 weken gedurende ca. 15 minuten. Zo voorkomt u dat zich na langere bedrijfspauzes water in de verwarmingsstaven verzamelt.

7.2. Saunakachel reinigen

De ventilatieopeningen moeten vrij zijn van pluizen en stof. Zo wordt voorkomen dat de luchtcirculatie in de saunakachel wordt gereduceerd en het apparaat oververhit raakt.

7.3. Saunastenen wisselen

Opgietmiddel en grote temperatuurverschillen tijdens gebruik zijn van invloed op saunastenen. De saunastenen kunnen worden aangetast en breekbaar worden.

Controleer de saunastenen regelmatig en vervang de stenen jaarlijks.



WAARSCHUWING!

Brandgevaar door oververhitting

Als de saunakachel zonder saunastenen wordt gebruikt, worden de cabinewanden zeer heet. Hierdoor kan brand ontstaan.

- Gebruik de saunakachel NOOIT zonder saunastenen.
-

1. Verwijder de oude saunastenen.
2. Verwijder kalkresten, stof en andere verontreinigingen van de steenhouder.
3. Borstel de saunastenen voor gebruik grondig met water. Gebruik geen reinigingsmiddelen.
4. Controleer de stenen voor vullen in de saunakachel op vreemde deeltjes en verwijder verpakkingsresten.
5. Plaats de saunastenen in de steenhouder. Arrangeer de saunastenen los ten opzichte van elkaar, zodat nog lucht tussen de tussenruimtes kan doorstromen.
6. De saunastenen mogen niet over de rand van de steenhouder uitkomen.

8. Afvoer



- Voer het verpakkingsmateriaal af volgens de geldende afvoer-richtlijnen.
- Oude apparaten bevatten opnieuw bruikbare materialen maar ook schadelijke stoffen. Deponeer uw oude apparaat daarom in geen geval bij het gewone afval, maar voer het apparaat af volgens de plaatselijk geldende voorschriften.

9. Oplossen van problemen door de monteur

Verwarmingsstaven verwarmen

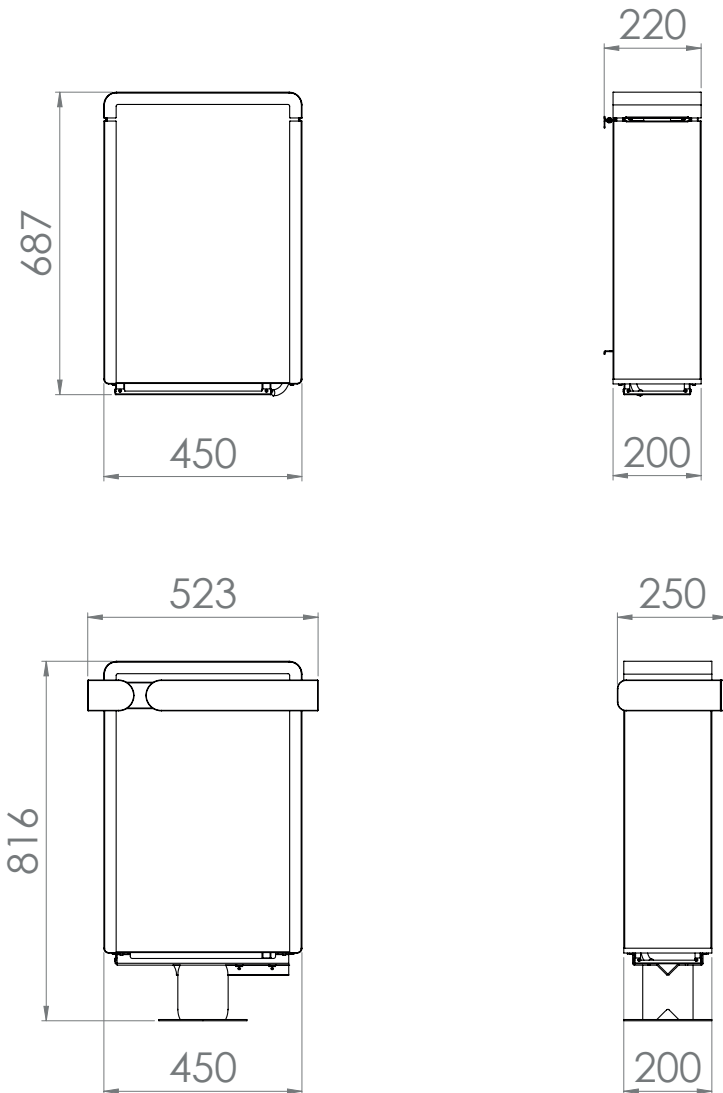
Vochtige omgevingsomstandigheden of lange bedrijfspauzes kunnen leiden tot achterblijven van vocht in de verwarmingsstaven. Dit is een fysisch proces en geen fout van de fabrikant. Het vocht in de verwarmingsstaven kan eventueel leiden tot het activeren van de aardlekschakelaar.

In dit geval moet de saunakachel onder toezicht van een elektricien worden gedroogd door verwarmen. Daarom moet de zekeringfunctie van de aardlekschakelaar buiten werking worden gesteld. Drogen door verwarmen duurt ongeveer 10 minuten. Daarna moet de zekeringfunctie van de aardlekschakelaar weer worden hersteld.

Als het probleem verder bestaat, raadpleeg dan uw leverancier.

10. Afmetingen

afb. 11 Afmetingen Concept R mini 3,5 kW, 4,5 kW, 6,0 kW en 7,5 kW
(CP-RM-35 / CP-RM-45 / CR-RM-60 / CP-RM-75)
Afmetingen in mm



11. Technische gegevens

De afmetingen vindt u in **afb. 11**.

<i>Artikelnummer</i>	<i>Vermogen [kW]</i>	<i>Cabinevolume [m³]</i>	<i>Minimumgrootte ventilatieopening [mm]</i>	<i>Gewicht zonder stenen [kg]</i>
CP-RM-35	3,45	3 - 5	350 x 20	19,5
CP-RM-45	4,5	4 - 6	350 x 25	19,5
CP-RM-60	6,0	5 - 8	350 x 30	19,5
CP-RM-75	7,5	7 - 11	350 x 35	19,5

<i>Artikelnummer</i>	<i>Steenhoeveelheid [kg]</i>	<i>Zekering [A]</i>	<i>Voeding</i>
CP-RM-35	ca. 15	3 x 10	400 V AC 3N~ 50/60 Hz 230 V AC 1N~ 50/60 Hz 230 V AC 3~ 50/60 Hz
CP-RM-45	ca. 15	3 x 10	400 V AC 3N~ 50/60 Hz 230 V AC 1N~ 50/60 Hz 230 V AC 3~ 50/60 Hz
CP-RM-60	ca. 15	3 x 10	400 V AC 3N~ 50/60 Hz 230 V AC 1N~ 50/60 Hz 230 V AC 3~ 50/60 Hz
CP-RM-75	ca. 15	3 x 16	400 V AC 3N~ 50/60 Hz 230 V AC 1N~ 50/60 Hz

<i>Artikelnummer</i>	<i>Verwarmingsstaven</i>
CP-RM-35	3 x CPRM115 (1-043-621)
CP-RM-45	3 x SCA150 (1-028-518)
CP-RM-60	3 x SCA200 (1-028-503)
CP-RM-75	3 x CPRM250 (1-042-346)



Bastuaggregat

Concept R mini

CP-RM-35/1-030-892: Concept R mini 3,5 kW

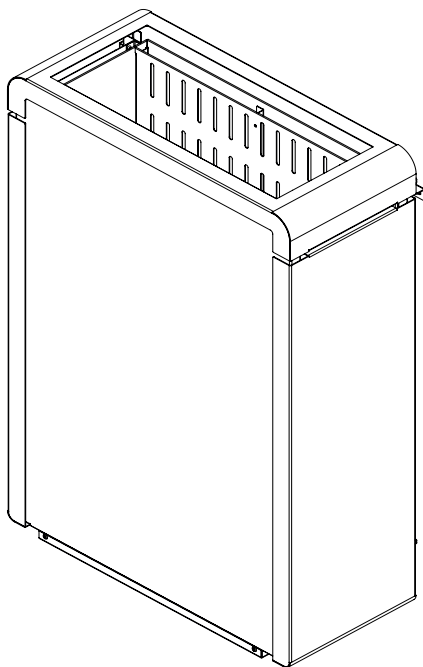
CP-RM-45/1-030-962: Concept R mini 4,5 kW

CP-RM-60/1-030-984: Concept R mini 6,0 kW

CP-RM-75/1-038-852: Concept R mini 7,5 kW

MONTERINGS- OCH BRUKSANVISNING

Svenska



SV

Innehållsförteckning

1. Om monterings- och bruksanvisningen	4
2. Viktig säkerhetsinformation	5
2.1. Ändamålsenlig användning	5
2.2. Säkerhetsanvisningar för installatören	6
2.3. Säkerhetsanvisningar för användaren	7
3. Produktbeskrivning	9
3.1. Leveransomfattning	9
3.2. Tillbehör	9
3.3. Funktioner	9
4. Installation och anslutning	10
4.1. Uppställningsplats och givarposition	10
4.2. Säkerhetsavstånd	11
4.3. Montering på väggen	12
4.4. Montering med stativfot (tillval)	14
4.5. Kopplingsschema för 400 V 3N~	16
4.6. Kopplingsschema för 230 V 3~	16
4.7. Kopplingsschema för 230V 1N~	17
4.8. Elscheman	18
4.9. Elanslutning	19
5. Driftstart	20
5.1. Fylla på stenkorgen	20
5.2. Den första uppvärmningen	21

6. Användning	22
6.1. Användning.....	22
6.2. Hålla vatten på stenarna.....	22
7. Underhåll	23
7.1. Längre användningsuppehåll.....	23
7.2. Rengöring av bastuaggregatet.....	23
7.3. Byta bastustenar.....	23
8. Avfallshantering	24
9. Felavhjälpning utförd av installatören	24
10. Mått	25
11. Tekniska data	26

1. Om monterings- och bruksanvisningen

Läs hela monterings- och bruksanvisningen noga och förvara den sedan i närheten av bastun. Du kan då när som helst läsa de specifika säkerhets- och användningsanvisningarna.



Den här monterings- och bruksanvisningen kan även laddas ner från vår webbsida, www.sentiotec.com/downloads.

Symboler och varningar

I den här monterings- och bruksanvisningen används olika varningssymboler vid avsnitt som beskriver situationer som kan medföra fara eller risker av olika slag. Dessa varningar ska alltid beaktas. På så sätt undviker man sakskador och personskador, som i värsta fall kan ha dödlig utgång.

Följande signalord används:



FARA!

Om de här varningarna/anvisningarna inte följs leder det till allvarliga eller livsfarliga skador.



VARNING!

Om de här varningarna/anvisningarna inte följs kan det leda till allvarliga eller livsfarliga skador.



FÖRSIKTIGHET!

Om de här varningarna/anvisningarna inte följs kan det leda till lindriga skador.

OBS!

Varnar för sakskador.

Övriga symboler



Används vid tips och nyttig information.



Täck inte över!



Läs bruksanvisningen

2. Viktig säkerhetsinformation

Bastuaggregatet Concept R mini har konstruerats och tillverkats enligt vedertagna säkerhetstekniska regler. Det kan ändå uppstå vissa risker under användningen. Följ alltid nedanstående säkerhetsanvisningar och observera de särskilda varningarna i resp. kapitel.

2.1. Ändamålsenlig användning

Bastuaggregatet Concept R mini är endast avsett att användas för uppvärmning av basturum i kombination med en styrenhet utan fjärrstart.

Bastuaggregatet Concept R mini får endast användas tillsammans med en styrenhet med fjärrstartfunktion om det samtidigt installeras en anordning för säkerhetsavstängning.

Bastuaggregatet Concept R mini får endast användas i allmänna bastur när det kombineras med säkerhetsavstängningen, som kan beställas som tillval.

All annan användning betraktas som ej ändamålsenlig. Ej ändamålsenlig användning kan leda till skador på produkten och innebära risk för allvarliga eller livsfarliga skador.

2.2. Säkerhetsanvisningar för installatören

- Bastuaggregatet får endast installeras och anslutas i spänningslöst tillstånd.
- Montering/installation får endast utföras av elektriker.
- På plats ska en allpolig frånskiljare med komplett avstängning enligt överspänningskategori III installeras.
- Använd endast silikonkablar med värmetålighet upp till 150 °C för anslutning av bastuaggregatet.
- Installera endast ett bastuaggregat i varje basturum. Bastuaggregatet Concept R mini får inte användas i ett basturum tillsammans med andra bastuaggregat.
- Bastuns väggar och tak ska vara tillverkade av obehandlat eller termiskt behandlat trä med låg hartshalt, t.ex. nordisk gran, hemlock, tall eller ädelgran, eller av flerskiktets träskivor. Om flerskiktets träskivor används får limmet inte innehålla formaldehyd. Om andra material än trä används i bastun måste de vara värme- och korrosionsbeständiga och får inte utgöra någon hälsorisk för bastubadarna.
- Basturummet ska ha minst 1,9 meters takhöjd.
- Beakta uppgifterna om volym och ventilation av basturummet i kapitel **11. Tekniska data**.
- Observera min. avstånden vid installation av bastuaggregatet (se kapitel **4.2. Säkerhetsavstånd**).
- Följ gällande lokala bestämmelser.
- Om det uppstår problem som inte beskrivs tillräckligt detaljerat i monteringsanvisningarna, vänd dig, för din egen säkerhets skull, till leverantören/återförsäljaren.

2.3. Säkerhetsanvisningar för användaren

- Barn under 8 år får inte använda utrustningen.
- Under följande förutsättningar får utrustningen användas av barn över 8 år, av personer med nedsatt psykisk, sensorisk eller mental förmåga och av personer som saknar erfarenhet och kunskap om liknande utrustningar:
 - under uppsikt.
 - när de har instruerats om säker användning och känner till vilka risker som kan uppstå.
- Utrustningen är ingen leksak. Barn får inte leka med den.
- Barn under 14 år får endast rengöra utrustningen under uppsikt.
- Av hälsoskäl bör man inte bada bastu när man är påverkad av alkohol, läkemedel eller droger.
- Använd aldrig bastuaggregatet utan bastustenar - det kan medföra brandrisk.

- Kontrollera att det inte finns några brännbara föremål på bastuaggregatet innan styrenheten slås på.
- Värm upp bastuaggregatet en halvtimme INNAN du ska använda bastun för första gången. Vistas INTE i basturummet under denna tid. Vädra därefter basturummet ordentligt (se **5.2. Den första uppvärmningen** på sidan **21**).
- Vidrör aldrig bastuaggregatet när det är igång. Bastuaggregatets yta och bastustenarna blir mycket varma.
- Om det uppstår problem som inte beskrivs tillräckligt detaljerat i bruksanvisningen, vänd dig, för din egen säkerhets skull, till leverantören/återförsäljaren.

3. Produktbeskrivning

3.1. Leveransomfattning

- Bastuaggregat
- Monterings- och bruksanvisning

3.2. Tillbehör

<i>Tillbehör</i>	<i>Artikelnummer</i>
Hållarsats för aggregatlist Concept R mini	CP-RM-HSR-4S / 1-049-506
Trälist Concept R mini lind	CP-RM-L-4S / 1-049-706
Trälist Concept R mini hassel	CP-RM-N-4S / 1-049-707
Stativfot för Concept R mini	CP-RM-SF / 1-043-964
Skydd stativfot Concept R mini lind	CP-RM-CSF-L / 1-041-482
Skydd stativfot Concept R mini hassel	CP-RM-CSF-N / 1-041-483

3.3. Funktioner

Bastuaggregatet Concept R mini är ett finskt bastuaggregat som skapar ett typiskt, finskt bastuklimat med en temperatur på mellan 80 och 100 °C och en luftfuktighet på ca 10 %.

4. Installation och anslutning

Observera följande punkter vid installation och anslutning av bastuaggregatet:



VARNING!

Risk för elektriska stötar

- Montering/installation och anslutning av bastuaggregatet får endast göras i spänningslöst tillstånd.
-

- Elanslutningarna får endast utföras av utbildad elektriker.
- På plats ska en allpolig frånskiljare med komplett avstängning enligt över-spänningskategori III installeras.
- Bastuaggregatet Concept R mini är ett väggmonterat aggregat. Kontrollera att aggregatet sitter fast ordentligt på monteringslisten innan det används för första gången.

4.1. Uppställningsplats och givarposition

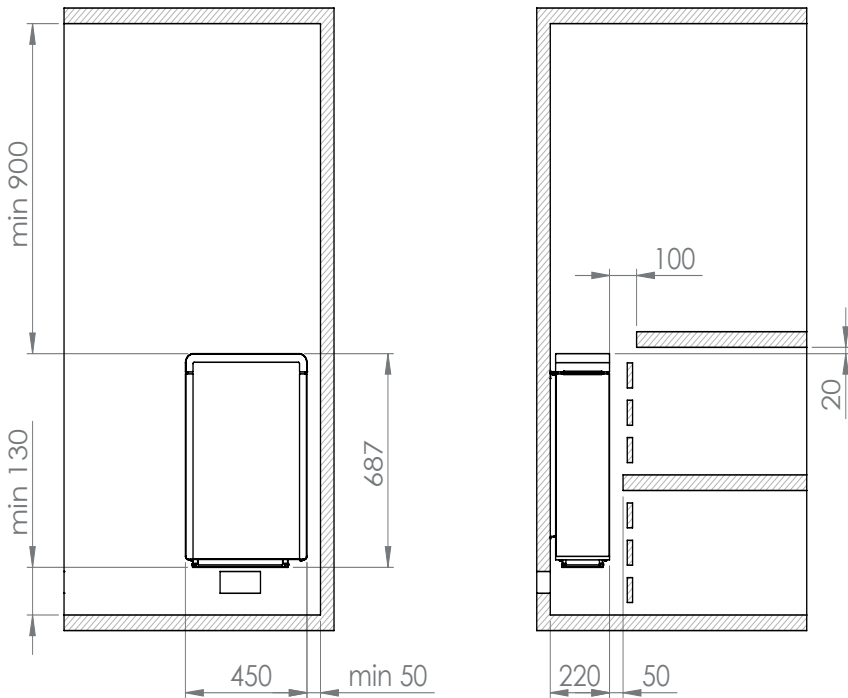
Montera aggregatet mitt framför luftintaget på bastuväggen. Observera säkerhetsavstånden till väggen som anges på **Bild 1**.

Montera temperaturgivaren med övertemperaturskydd på bastuväggen över bastuaggregatets mitt. Avståndet till bastuns tak ska vara 15 cm.

4.2. Säkerhetsavstånd

Beakta säkerhetsavstånden som anges på **Bild 1**.

Bild 1 Säkerhetsavstånd
Concept R mini 3,5 kW, 4,5 kW, 6,0 kW och 7,5 kW
(CP-RM-35/CP-RM-45/CR-RM-60/CP-RM-75)
mått i mm



4.3. Montering på väggen

Observera **Bild 1**, **Bild 2**, **Bild 3** och **Bild 4** (sidan **11**, **12**, **13**).

1. Fäst monteringslisten **[1]** vågrätt på väggen med medföljande träskruvar **[2]**. Observera min. avstånden till väggen, bild 1.
2. Skjut in aggregatet **[3]** uppifrån i monteringslisten. Se till att aggregatet sitter rakt och jämnt mot monteringslisten.
3. Fäst aggregatet **[3]** med medföljande låsskruv **[4]** på monteringslisten **[1]**.



VARNING!
Brandrisk

- Fäst aggregatet med medföljande låsskruv 4 så att det sitter fast säkert och stabilt.

Bild 2 Monteringslist Concept R mini
mått i mm

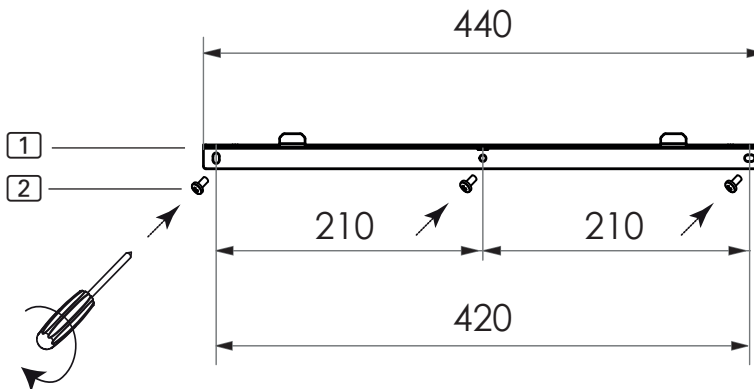


Bild 3 Positionering av monteringslist Concept R mini
mått i mm

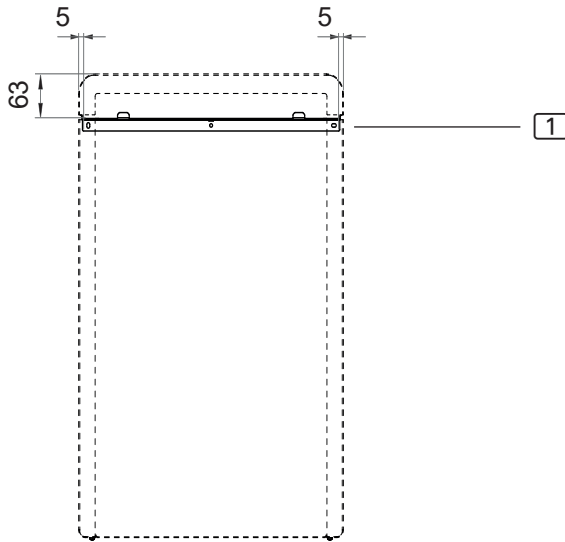
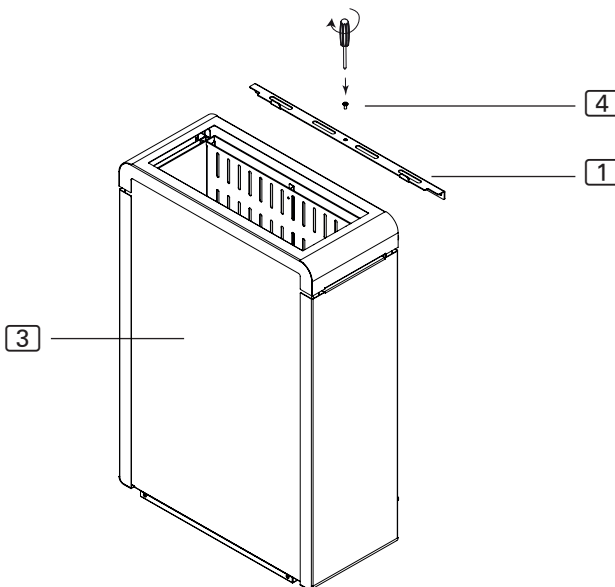


Bild 4 Fastsättning Concept R mini (monteringslist)



4.4. Montering med stativfot (tillval)

Observera **Bild 1**, **Bild 5**, **Bild 6** (sidan 11, 14, 15).

1. Fäst stativfoten **1** med de medföljande skruvarna **2** på aggregatets undersida. Observera att det runda urtaget måste vara på förångarsidan.
2. Fixera stativfoten i underlaget med de medföljande skruvarna (**Bild 6**). Beroende på golvetts beskaffenhet ska man använda de medföljande träskruvarna eller pluggarna med de tillhörande skruvarna. Observera minimiavstånden till aggregatet på **Bild 1**.



VARNING!

Brandrisk

- Fixera bastuaggregatet med stativfot direkt i ett tillräckligt stabilt underlag, t.ex. i det underlag som bastun har monterats i - **INTE** i bastuns inlagda golv.

Bild 5 Montering av stativfoten på Concept R mini

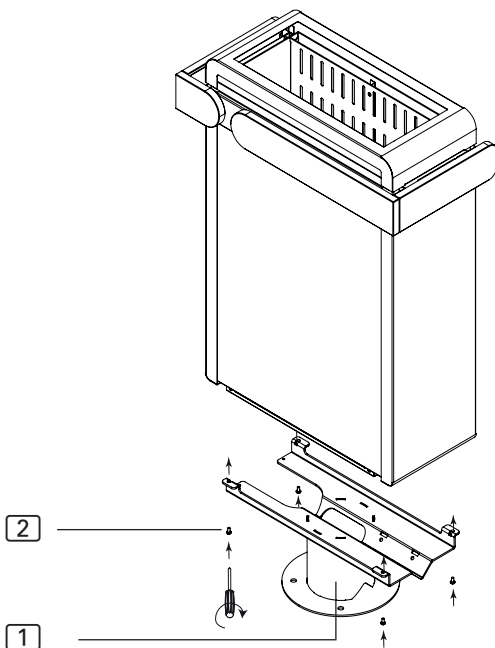
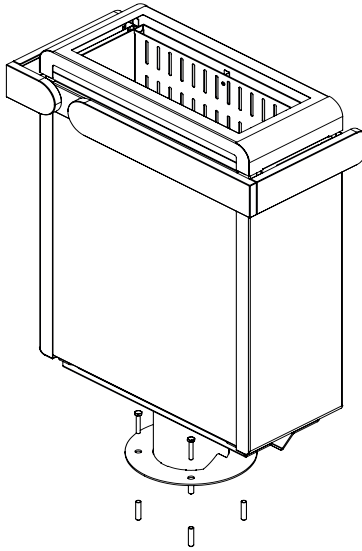
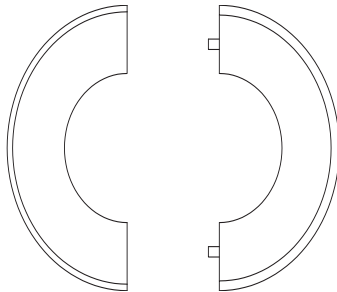
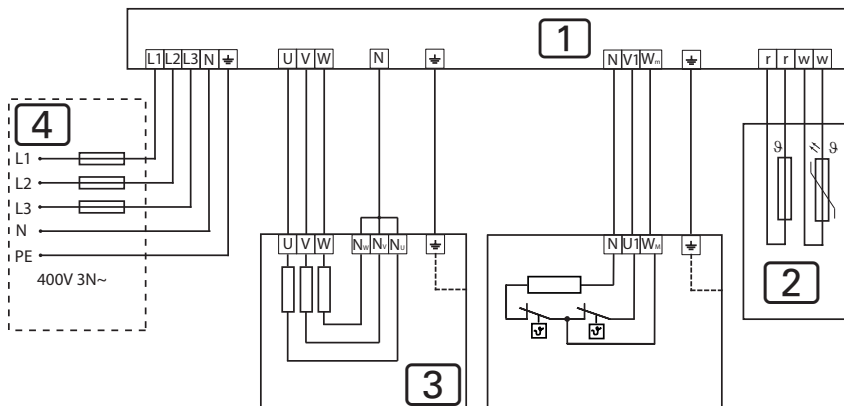


Bild 6 Fixering av Concept R mini med stativfot**Bild 7** Montering av träskyddet för stativfoten (tillval)

Lägg skyddsringens båda delar kring stativfoten och tryck fast dem för att skydda stativfotens skruvar.

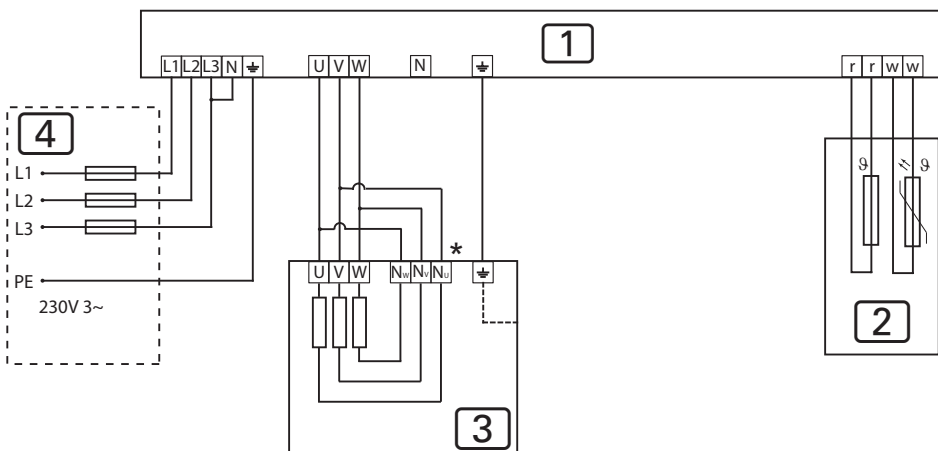
4.5. Kopplingschema för 400 V 3N~

Bild 8 Kopplingschema för Concept R mini
3,5 kW, 4,5 kW, 6,0 kW och 7,5 kW
(CP-RM-35/CP-RM-45/CR-RM-60/CP-RM-75)



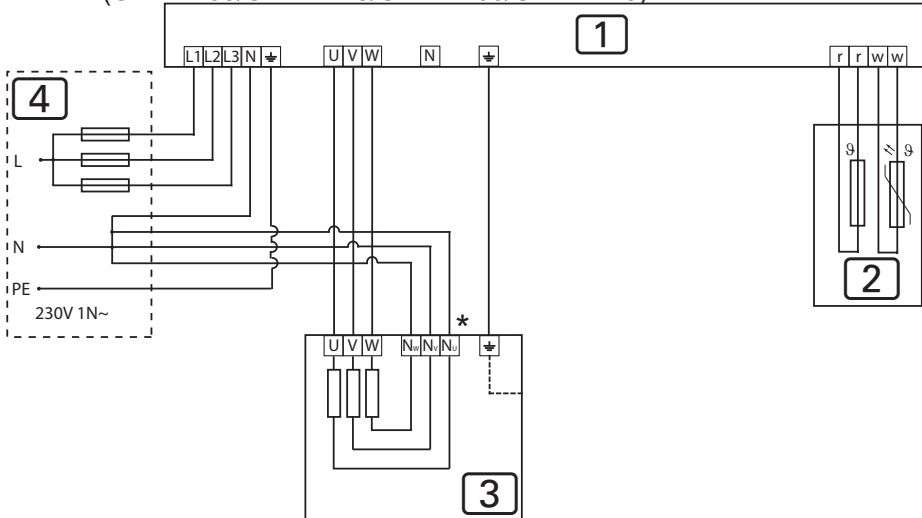
4.6. Kopplingschema för 230 V 3~

Bild 9 Kopplingschema för Concept R mini
3,5 kW, 4,5 kW och 6,0 kW
(CP-RM-35/CP-RM-45/CR-RM-60)



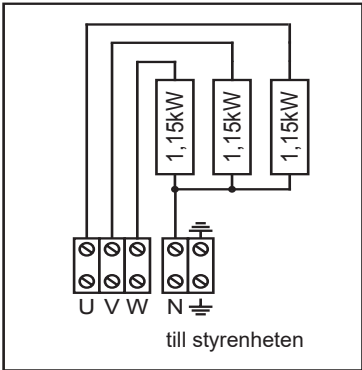
4.7. Kopplingsschema för 230V 1N~

Bild 10 Kopplingsschema för Concept R mini
3,5 kW, 4,5 kW, 6,0 kW och 7,5 kW
(CP-RM-35/CP-RM-45/CR-RM-60/CP-RM-75)

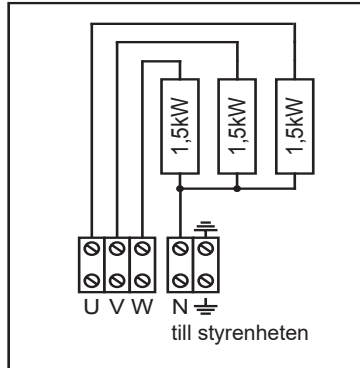


- 1 Styrenhet
- 2 Temperaturgivare med övertemperaturskydd
- 3 Bastuaggregat
- 4 Strömförsörjning
- * Borttagning av kopparbrygga

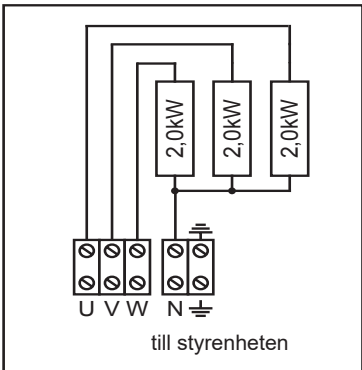
4.8. Elschema



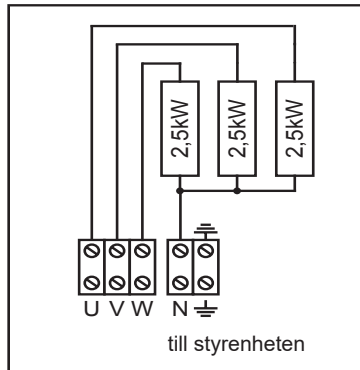
CP-RM-35
3,45 kW



CP-RM-45
4,5 kW



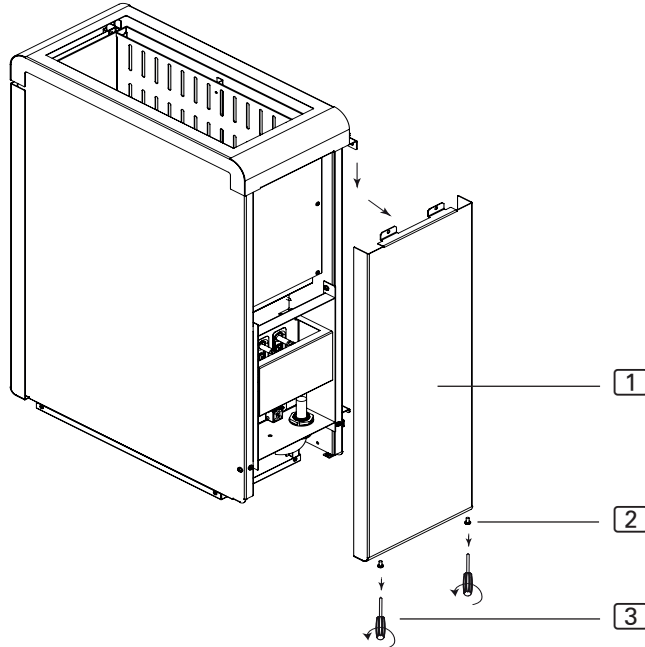
CP-RM-60
6,0 kW



CP-RM-75
7,5 kW

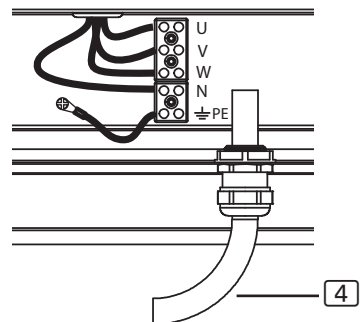
4.9. Elanslutning

1. Skruva loss skruvarna **2** och **3** med en skruvmejsel.
2. Ta bort täckplåten **1**.



Kopplingsschema för Concept R mini 3,5 kW, 4,5 kW, 6,0 kW och 7,5 kW (CP-RM-35/CP-RM-45/CR-RM-60/CP-RM-75)

1. Dra anslutningskabeln genom genomföringen **4**.
2. Anslut anslutningskabelns ledare till anslutningarna U – V – W – N – PE på bastuaggregatet och till passande anslutningar på styrenheten. Läs installationsanvisningarna för styrenheten.
3. Montera täckplåten **1** på bastuaggregatet igen.



5. Driftstart

5.1. Fylla på stenkorgen

**WARNING!*****Brandrisk på grund av överhettning***

Om bastuaggregatet används utan bastustenar blir bastuns väggar mycket varma. Detta kan orsaka eldsvåda.

- Använd INTE bastuaggregatet utan bastustenar.
-

Passande mängd stenar för resp. aggregat anges i kapitel **11. Tekniska data** (se sidan **26**).

1. Rengör först bastustenarna noga med vatten och en borste. Använd inga rengöringsmedel.
2. Kontrollera om det finns främmande partiklar på stenarna och ta bort alla förpackningsrester innan de läggs in i bastuaggregatet.
3. Lägg bastustenarna i stenkorgen. Lägg i bastustenarna löst på varandra så att luften kan cirkulera mellan dem.
4. Se till att stenarna inte sticker ut ovanför stenkorgens kant.

5.2. Den första uppvärmningen

**AKTA!*****Rök- och luktutveckling vid den första uppvärmningen***

På nya värmestavar finns det rester från tillverkningsprocessen. Dessa bryts ner när bastuaggregatet värms upp för första gången. När detta sker bildas det rök och en obehaglig lukt. Inandning av röken och ångorna utgör en hälsofara.

Följ nedanstående anvisningar när du använder bastuaggregatet **för första gången** och när **värmestavarna i bastuaggregatet har bytts ut**. På det här sättet kan du undvika skadliga effekter av ångorna och röken som bildas vid den första uppvärmningen.

1. Välj den högsta möjliga temperaturen på styrenheten till bastun.
2. Värm upp bastuaggregatet under en halvtimme.
Vistas INTE i basturummet under denna tid.
3. Vädra bastun ordentligt efter den första uppvärmningen.
4. Om ingen rök eller lukt uppstår vid nästa uppvärmning kan du börja använda bastun.
Om rök eller lukt uppstår, lämna omedelbart basturummet, upprepa den första uppvärmningen och vädra därefter bastun igen.

6. Användning

**VARNING!****Brandrisk!**

Brännbara föremål som ligger på det varma bastuaggregatet kan antändas och orsaka eldsvåda.

- Lägg ALDRIG brännbara föremål på bastuaggregatet.
 - Kontrollera att det INTE finns några brännbara föremål på bastuaggregatet innan bastuaggregat sätts igång.
-

6.1. Användning

Bastuaggregatet styrs via en styrenhet. Användningen av styrenheten beskrivs i tillhörande bruksanvisning. Observera att bastuaggregatet Concept R mini endast är avsett för styrenheter utan fjärrstartfunktion.

6.2. Hälla vatten på stenarna

Man kan avsluta bastubadet med att hälla vatten på stenarna. Häll vatten på bastustenarna med en bastuskopa. Vattnet förångas och luften blir fuktigare i bastun.

Observera följande:

- Använd endast kranvatten. Saltvatten, starkt kalkhaltigt eller klorerat vatten kan leda till skador på bastuaggregatet.
- Använd endast doftämnen eller eteriska oljor som uttryckligen är avsedda för användning i bastu. Observera anvisningarna och uppgifterna på resp. förpackning.
- Häll inte vattnet för snabbt över bastustenarna. Om det hälls för snabbt över stenarna förångas det inte riktigt.

7. Underhåll

7.1. Längre användningsuppehåll

Fuktiga omgivningar och långa användningsuppehåll leder till att fukt adsorberas i värmestavarna. Detta är ett fysikaliskt förlopp och inget tillverkningsfel. Fukten i värmestavarna kan leda till att FI-skyddsbrytaren löser ut. Låt i sådana fall en elektriker åtgärda felet (se kapitel **9. Felavhjälpning utförd av installatören**).



Värm upp bastuaggregatet i ca 15 minuter var 5:e till var 6:e vecka. På så sätt förhindrar man att fukt adsorberas i värmestavarna under längre användningsuppehåll.

7.2. Rengöring av bastuaggregatet

Se till att det inte samlas ludd eller damm i ventilationsöppningarna. På så sätt förhindrar man att luftcirkulationen försämras i bastuaggregatet. Försämrade luftcirkulation kan leda till överhettning.

7.3. Byta bastustenar

Bastustenarna påverkas både av vätskan och av de stora temperaturskillnaderna som uppstår under användningen. De kan bli anfräta och spröda.

Kontrollera bastustenarna regelbundet och byt ut dem minst en gång om året.



VARNING!

Brandrisk på grund av överhettning

Om bastuaggregatet används utan bastustenar blir bastuns väggar mycket varma. Detta kan orsaka eldsvåda.

- Använd **INTE** bastuaggregatet utan bastustenar.

1. Ta bort de gamla bastustenarna.
2. Avlägsna kalkavlagringar, damm och andra föroreningar från stenkorgen.
3. Rengör först bastustenarna noga med vatten och en borste. Använd inga rengöringsmedel.
4. Kontrollera om det finns främmande partiklar på stenarna och ta bort alla förpackningsrester innan de läggs in i bastuaggregatet.
5. Lägg bastustenarna i stenkorgen. Lägg i bastustenarna löst på varandra så att luften kan cirkulera mellan dem.
6. Se till att stenarna inte sticker ut ovanför stenkorgens kant.

8. Avfallshantering



- Ta hand om förpackningsmaterialet enligt gällande bestämmelser.
- Enheterna innehåller både återanvändbart material och skadliga ämnen. Släng inte en uttjänt produkt i hushållssoporna, utan lämna den till återvinning enligt gällande bestämmelser.

9. Felavhjälpning utförd av installatören

Uppvärmning och torkning av värmestavarna

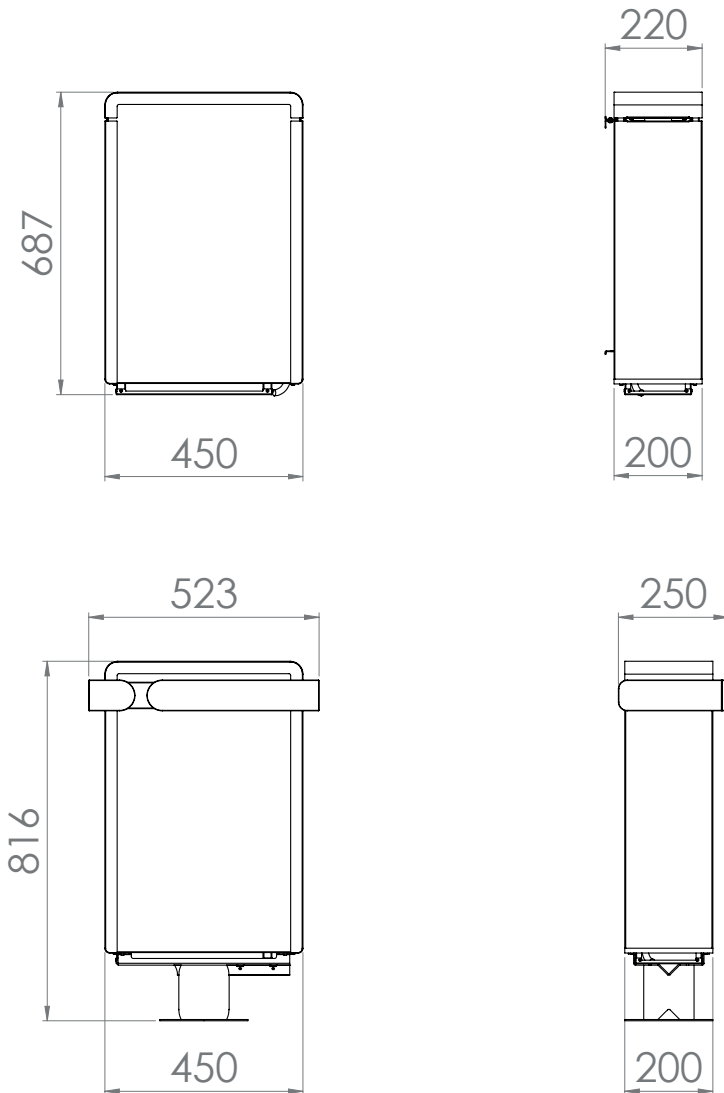
Fuktiga omgivningar och långa användningsuppehåll kan leda till att fukt adsorberas i värmestavarna. Detta är ett fysikaliskt förlopp och inget tillverkningsfel. Fukten i värmestavarna kan i vissa fall leda till att FI-skyddsbrytaren löser ut.

I sådana fall ska bastuaggregatet värmas upp för torkning under uppsikt av en elektriker. FI-skyddsbrytarens skyddsfunktion ska då tas ur funktion. Uppvärmningen/torkningen tar ca 10 minuter. Därefter ska FI-skyddsbrytarens skyddsfunktion återställas igen.

Kontakta leverantören/återförsäljaren om problemet kvarstår efter detta.

10. Mått

Bild 11 Mått Concept R mini 3,5 kW, 4,5 kW 6,0 kW och 7,5 kW
(CP-RM-35/CP-RM-45/CR-RM-60/CP-RM-75)
mått i mm



11. Tekniska data

Måttuppgifterna finns på **Bild 11**.

Artikelnummer	Effekt [kW]	Basturummets volym [m ³]	Ventilationsöppningens min. storlek [mm]	Vikt utan stenar [kg]
CP-RM-35	3,45	3–5	350 x 20	19,5
CP-RM-45	4,5	4–6	350 x 25	19,5
CP-RM-60	6,0	5–8	350 x 30	19,5
CP-RM-75	7,5	7–11	350 x 35	19,5

Artikelnummer	Stenmängd [kg]	Säkring [A]	Matningsspänning
CP-RM-35	ca 15	3 x 10	400 V AC 3N~ 50/60 Hz 230 V AC 1N~ 50/60 Hz 230 V AC 3~ 50/60 Hz
CP-RM-45	ca 15	3 x 10	400 V AC 3N~ 50/60 Hz 230 V AC 1N~ 50/60 Hz 230 V AC 3~ 50/60 Hz
CP-RM-60	ca 15	3 x 10	400 V AC 3N~ 50/60 Hz 230 V AC 1N~ 50/60 Hz 230 V AC 3~ 50/60 Hz
CP-RM-75	ca 15	3 x 16	400 V AC 3N~ 50/60 Hz 230 V AC 1N~ 50/60 Hz

Artikelnummer	Värmestavar
CP-RM-35	3 x CPRM115 (1-043-621)
CP-RM-45	3 x SCA150 (1-028-518)
CP-RM-60	3 x SCA200 (1-028-503)
CP-RM-75	3 x CPRM250 (1-042-346)



Saunová kamna

Concept R mini

CP-RM-35 / 1-030-892: Concept R mini 3,5 kW

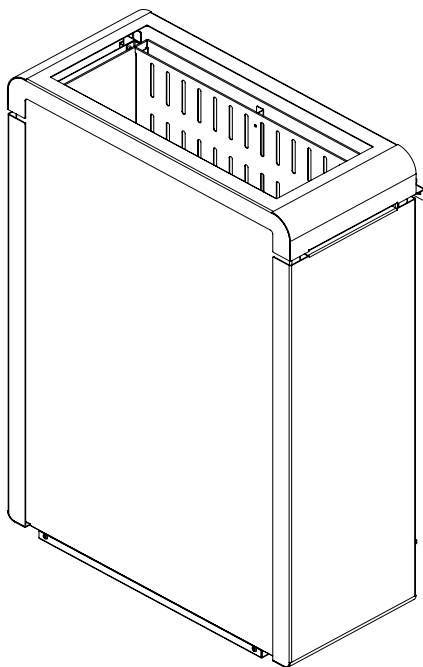
CP-RM-45 / 1-030-962: Concept R mini 4,5 kW

CP-RM-60 / 1-030-984: Concept R mini 6,0 kW

CP-RM-75 / 1-038-852: Concept R mini 7,5 kW

NÁVOD K MONTÁŽI A POUŽITÍ

česky



CS

Obsah

1. O tomto návodu	4
2. Důležité pokyny pro vaši bezpečnost	5
2.1. Použití v souladu s určením	5
2.2. Bezpečnostní informace pro montéra	6
2.3. Bezpečnostní informace pro uživatele	7
3. Popis výrobku	9
3.1. Rozsah dodávky	9
3.2. Příslušenství	9
3.3. Funkce výrobku	9
4. Montáž a připojení	10
4.1. Místo instalace a poloha čidla	10
4.2. Bezpečnostní vzdálenosti	11
4.3. Montáž ke stěně kabiny	12
4.4. Montáž s nožkou (volitelně)	14
4.5. Schéma zapojení pro 400 V 3 N~	16
4.6. Schéma zapojení pro 230 V 3~	16
4.7. Schéma zapojení pro 230 V 1 N~	17
4.8. Schémata zapojení	18
4.9. Elektrické připojení	19
5. Uvedení do provozu	20
5.1. Plnění koše na kameny	20
5.2. První nahřívání	21

6. Obsluha	22
6.1. Obsluha saunových kamen	22
6.2. Polévání	22
7. Údržba	23
7.1. Delší přestávky v provozu	23
7.2. Čistění saunových kamen	23
7.3. Výměna saunových kamenů	23
8. Likvidace	24
9. Řešení problémů montérem	24
10. Rozměry	25
11. Technické údaje	26

1. O tomto návodu

Tento návod k montáži a použití si důkladně přečtěte a uložte ho v blízkosti sauny. Tak si můžete vždy dodatečně přečíst informace o bezpečnosti a obsluze.



Tento návod k montáži a použití naleznete také v sekci ke stažení na našem webu na adrese www.sentiotec.com/downloads.

Symbols ve výstražných pokynech

V tomto návodu k montáži a použití je text o činnostech, z nichž vyplývá určité riziko, uvozen výstražným pokynem. Tyto výstražné pokyny bezpodmínečně dodržujte. Zabráníte tak věcným škodám a poraněním, která mohou být v nejhorším případě dokonce smrtelná.

Ve výstražných pokynech jsou použita signální slova, která mají následující význam:



NEBEZPEČÍ!

Pokud tento výstražný pokyn nebude dodržen, bude to mít za následek smrt nebo vážná zranění.



VÝSTRAHA!

Pokud tento výstražný pokyn nebude dodržen, může to mít za následek smrt nebo vážná zranění.



OPATRNĚ!

Pokud tento výstražný pokyn nebude dodržen, může to mít za následek lehká zranění.

POZOR!

Tento signální symbol upozorňuje na věcné škody.

Jiné symboly



Tento symbol označuje tipy a užitečné pokyny.



Nezakrývat!



Pročtěte si návod k obsluze

2. Důležité pokyny pro vaši bezpečnost

Saunová kamna Concept R mini byla vyrobena podle uznávaných bezpečnostně-technických pravidel. Při jejich používání však mohou přesto vznikat určitá rizika. Dodržujte proto následující bezpečnostní pokyny a zvláštní výstražné pokyny uvedené v jednotlivých kapitolách.

2.1. Použití v souladu s určením

Saunová kamna Concept R mini smíte používat pouze k vyhřívání saunových kabin v kombinaci s řídicí jednotkou sauny bez funkce dálkového zapínání.

Saunová kamna Concept R mini lze pouze v kombinaci s volitelně dostupným bezpečnostním vypnutím provozovat také s řídicí jednotkou sauny, která je vybavena funkcí dálkového zapínání.

Saunová kamna Concept R mini lze pouze v kombinaci s volitelně dostupným bezpečnostním vypnutím provozovat také ve veřejných saunách.

Jakékoli jiné použití nad tento rámec se považuje za použití v rozporu s určením. Použití v rozporu s určením může vést k poškození výrobku, vážným zraněním nebo smrti.

2.2. Bezpečnostní informace pro montéra

- Montáž a připojení saunových kamen se smí provádět pouze ve stavu odpojení od napětí.
- Montáž smí provádět pouze kvalifikovaný elektrikář nebo jiná, srovnatelným způsobem kvalifikovaná osoba.
- V místě instalace musí být instalován odpojovač s odpojením všech pólů s úplným vypnutím v souladu s přepěťovou kategorií III.
- K připojení saunových kamen používejte výlučně silikonová vedení odolná vůči teplotě do 150 °C.
- V kabině instalujte pouze jedna saunová kamna. Saunová kamna Concept R mini nesmíte v saunové kabině používat společně s jinými saunovými kamny.
- Stropy a stěny saunové kabiny smí být vyrobeny z neopracovaných nebo tepelně opracovaných druhů dřeva s nízkým obsahem pryskyřice, např. severský smrk, jedlovec, borovice nebo jedle nebo z vrstvených dřevěných materiálů. Při použití vrstvených dřevěných materiálů je nutné dbát na to, aby jejich lepidla neobsahovala formaldehyd. Pokud budou v saunové kabině použity jiné materiály než dřevo, musejí být odolné vůči teplotě a korozi a nesmí mít žádné negativní účinky na zdraví osob v sauně.
- Výška saunové kabiny musí činit minimálně 1,9 m.
- Dodržujte požadavky na objem saunové kabiny a její větrání uvedené v kapitole **11. Technické údaje**.
- Při instalaci saunových kamen dodržujte minimální bezpečnostní vzdálenosti (viz kapitola **4.2. Bezpečnostní vzdálenosti**).
- Dodržujte také místní předpisy v místě instalace.
- V případě problémů, které nejsou dostatečně podrobně řešeny v návodu k montáži, se v zájmu vlastní bezpečnosti obraťte na svého dodavatele.

2.3. Bezpečnostní informace pro uživatele

- Zařízení nesmí používat děti do 8 let věku.
- Zařízení smí používat děti ve věku nad 8 let, osoby s omezenými fyzickými, smyslovými nebo duševními schopnostmi a osoby s nedostatečnými zkušenostmi a znalosti za následujících podmínek:
 - pokud jsou pod dozorem.
 - pokud jim bylo správné používání předvedeno a rozumějí rizikům, která mohou vzniknout.
- Děti si se zařízením nesmí hrát.
- Děti mladší 14 let smí zařízení čistit, pouze pokud jsou pod dozorem.
- Saunování není ze zdravotních důvodů vhodné pro osoby pod vlivem alkoholu, léků nebo drog.
- Saunová kamna nikdy neuvádějte do provozu bez saunových kamenů, mohlo by to způsobit požár.

- Před zapnutím řídicí jednotky sauny se ujistěte, že na saunových kamnech neleží žádné hořlavé předměty.
- **PŘED** prvním saunováním saunová kamna na půl hodiny roze-
hřejte. Během této doby se **NEZDRŽUJTE** v saunové kabině.
Následně saunovou kabinu dobře vyvětrejte (viz **5.2. První na-
hřívání** na straně **21**).
- Saunových kamen se během provozu nedotýkejte. Povrch saunových kamen a saunové kameny se zahřívají na vysoké teploty.
- V případě problémů, které nejsou dostatečně podrobně řešeny v návodu k použití, se v zájmu vlastní bezpečnosti obraťte na svého dodavatele.

3. Popis výrobku

3.1. Rozsah dodávky

- Saunová kamna
- Návod k montáži a použití

3.2. Příslušenství

<i>Příslušenství</i>	<i>Číslo položky</i>
Sada držáků pro obrubovou lištu kamen Concept R mini	CP-RM-HSR-4S / 1-049-506
Dřevěná obrubová lišta Concept R mini Lípa	CP-RM-L-4S / 1-049-706
Dřevěná obrubová lišta Concept R mini Ořech	CP-RM-N-4S / 1-049-707
Nožka pro Concept R mini	CP-RM-SF / 1-043-964
Kryt nožky Concept R mini Lípa	CP-RM-CSF-L / 1-041-482
Kryt nožky Concept R mini Ořech	CP-RM-CSF-N / 1-041-483

3.3. Funkce výrobku

Saunová kamna Concept R mini jsou finská saunová kamna a umožňují vytváření klimatu typického ve finské sauně při teplotě 80 až 100 °C a vlhkosti vzduchu asi 10 %.

4. Montáž a připojení

Při instalaci a připojení saunových kamen zohledněte následující body:



VÝSTRAHA!

Nebezpečí úrazu elektrickým proudem

- Montáž a připojení saunových kamen provádějte pouze ve stavu bez napětí.
-
- Elektrické připojení smí provádět pouze kvalifikovaný elektrikář nebo srovnatelným způsobem kvalifikovaná osoba.
 - V místě instalace musí být instalován odpojovač s odpojením všech pólů s úplným vypnutím v souladu s přepěťovou kategorií III.
 - Saunová kamna Concept R mini jsou nástěnná kamna. Před použitím musíte zkontrolovat pevné upevnění kamen k montážní liště.

4.1. Místo instalace a poloha čidla

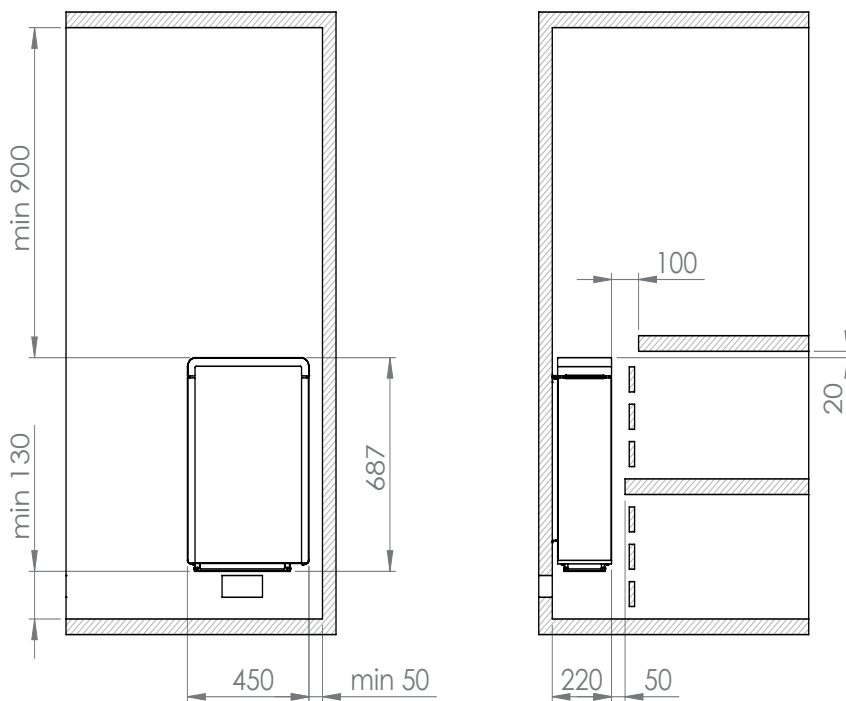
Kamna namontujte doprostřed před vstupní otvor vzduchu ve stěně kabiny. Přitom dodržujte bezpečnostní vzdálenosti od stěny kabiny uvedené na **Obr. 1**.

Teplotní čidlo s pojistkou proti přehřátí namontujte na stěnu kabiny nad středem saunových kamen. Dodržujte vzdálenost od stropu kabiny 15 cm.

4.2. Bezpečnostní vzdálenosti

Dodržujte minimální bezpečnostní vzdálenosti uvedené na **Obr. 1**.

Obr. 1 Bezpečnostní vzdálenosti
Concept R mini 3,5 kW, 4,5 kW, 6,0 kW a 7,5 kW
(CP-RM-35 / CP-RM-45 / CR-RM-60 / CP-RM-75)
Rozměry v mm



4.3. Montáž ke stěně kabiny

Pracujte podle **Obr. 1**, **Obr. 2**, **Obr. 3** a **Obr. 4** (strana 11, 12, 13).

1. Upevněte montážní lištu [1] vodorovně ke stěně dodanými vruty [2]. Dodržujte přitom minimální vzdálenosti kamen podle obr. 1.
2. Zavěste kamna [3] shora dolů na montážní lištu. Kamna musejí správně dosedat.
3. Zajistěte kamna [3] dodaným pojistným šroubem [4] na montážní liště [1].

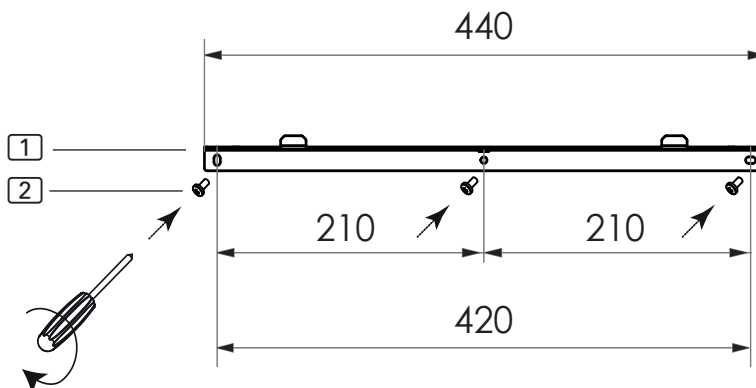


VÝSTRAHA!

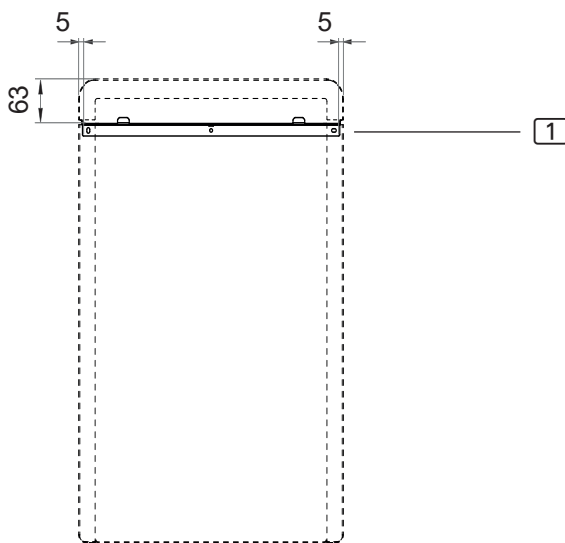
Riziko požáru

- K upevnění kamen a jejich zajištění proti nechtěnému pohybu upevněte kamna dodaným pojistným šroubem 4.

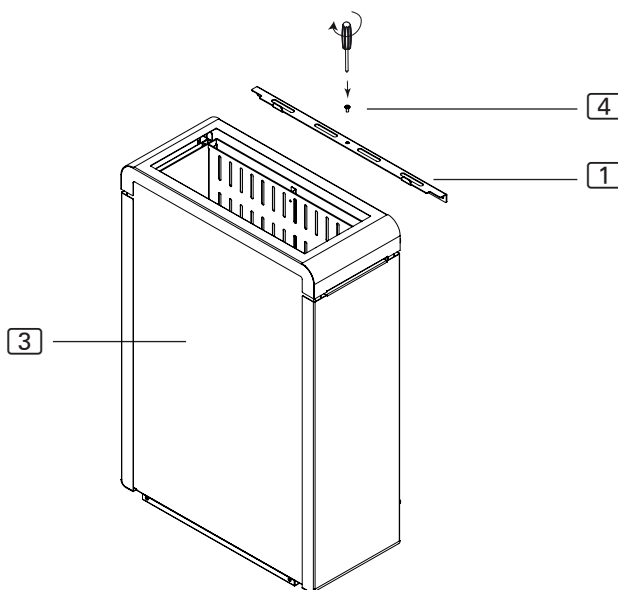
Obr. 2 Montážní lišta modelu Concept R mini
Rozměry v mm



Obr. 3 Poloha montážní lišty modelu Concept R mini
Rozměry v mm



Obr. 4 Zajištění modelu Concept R mini (montážní lišta)



4.4. Montáž s nožkou (volitelně)

Dodržujte **Obr. 1**, **Obr. 5**, **Obr. 6** (strana 11, 14, 15).

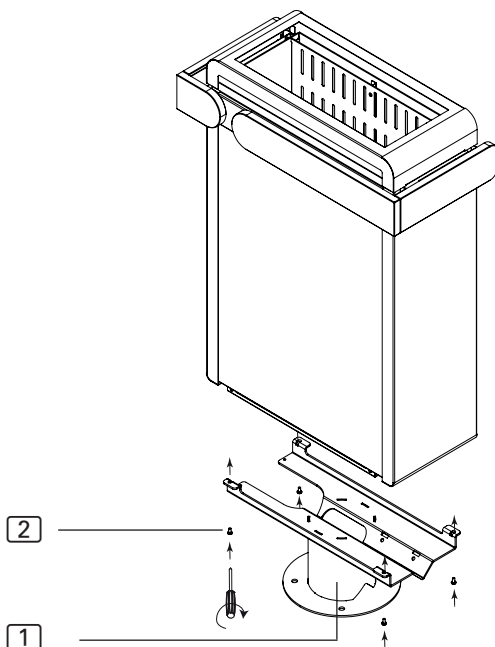
1. Upevněte nožku **1** pomocí dodaných šroubů **2** na spodní stranu kamen. Dbejte na to, aby se kruhové vybrání nacházelo na straně odpařovače.
2. Upevněte nožku pomocí dodaných šroubů na podlaze (**Obr. 6**). V závislosti na jakosti podlahy použijte dodané vruty nebo hmoždinky s vhodnými šrouby. Dodržujte přitom minimální vzdálenosti kamen podle **Obr. 1**.

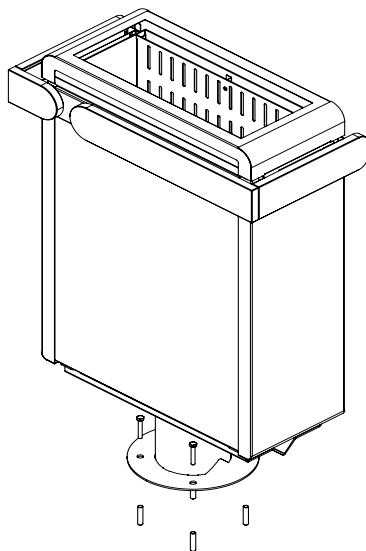
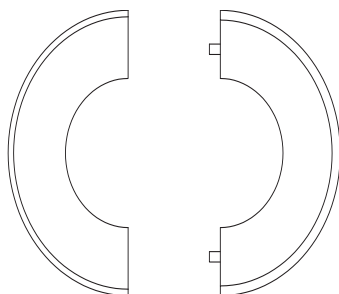


VÝSTRAHA! **Riziko požáru**

- Upevněte kamna s nožkou přímo na dostatečně pevném podkladu, například na tom, na kterém je postavena saunová kabina – NE na vkládané podlaze sauny.

Obr. 5 Montáž nožky na model Concept R mini

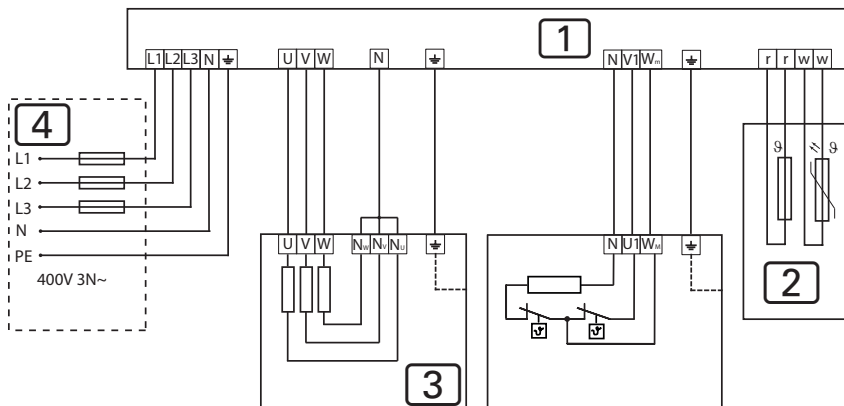


Obr. 6 Upevnění modelu Concept R mini s nožkou**Obr. 7** Montáž dřevěného krytu pro nožku (volitelně)

Chcete-li zakrýt šrouby nožky, umístěte obě poloviny krycího kroužku kolem nožky a pevně přitlačte k sobě.

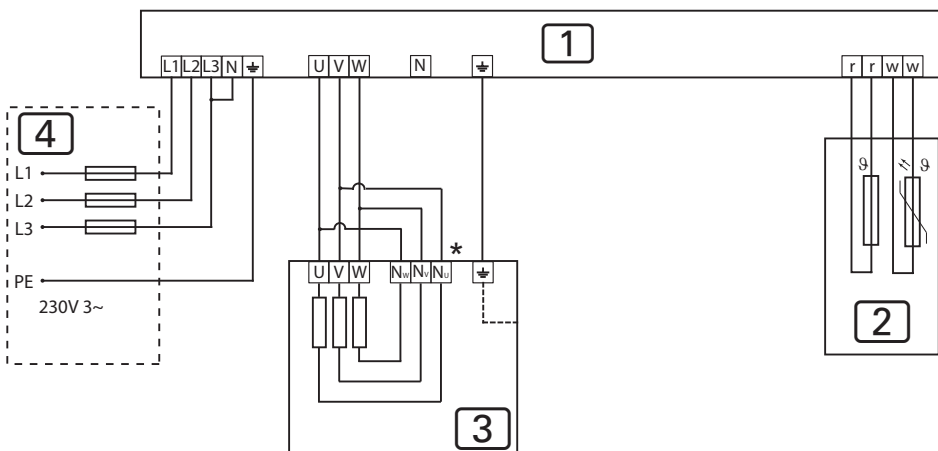
4.5. Schéma zapojení pro 400 V 3 N~

Obr. 8 Schéma zapojení Concept R mini
3,5 kW, 4,5 kW, 6,0 kW a 7,5 kW
(CP-RM-35 / CP-RM-45 / CR-RM-60 / CP-RM-75)



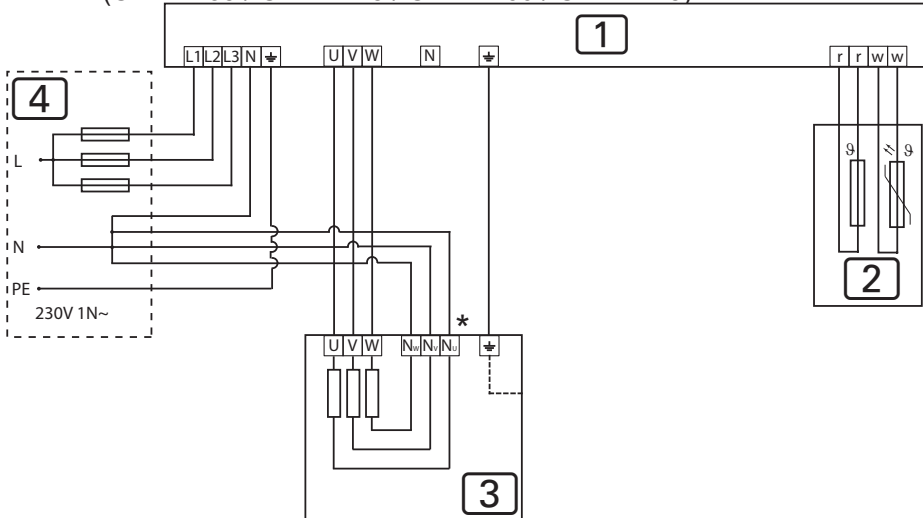
4.6. Schéma zapojení pro 230 V 3~

Obr. 9 Schéma zapojení Concept R mini
3,5 kW, 4,5 kW a 6,0 kW
(CP-RM-35 / CP-RM-45 / CR-RM-60)



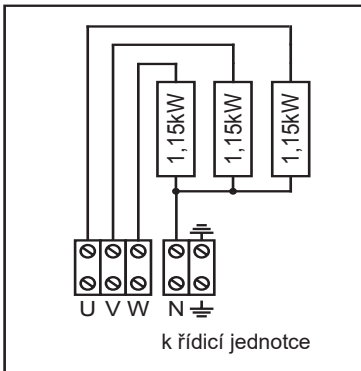
4.7. Schéma zapojení pro 230 V 1 N~

Obr. 10 Schéma zapojení Concept R mini
3,5 kW, 4,5 kW, 6,0 kW a 7,5 kW
(CP-RM-35 / CP-RM-45 / CR-RM-60 / CP-RM-75)

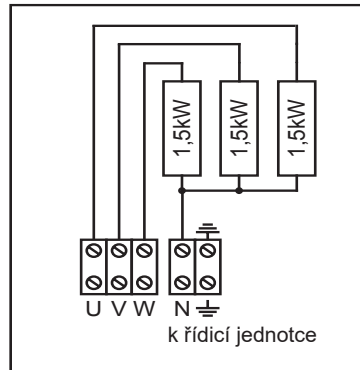


- 1 Řídicí jednotka sauny
- 2 Čidlo teploty s pojistkou proti přehřátí
- 3 Saunová kamna
- 4 Napájecí zdroj
- * Odstraňte měděný můstek

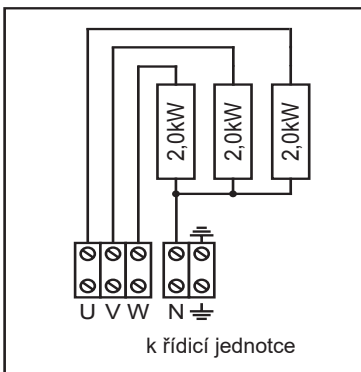
4.8. Schémata zapojení



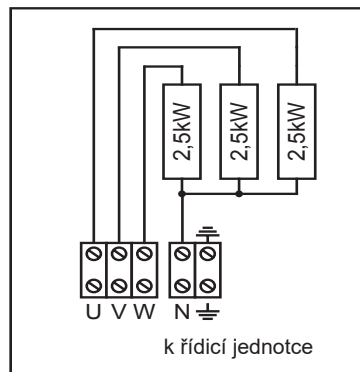
CP-RM-35
3,45 kW



CP-RM-45
4,5 kW



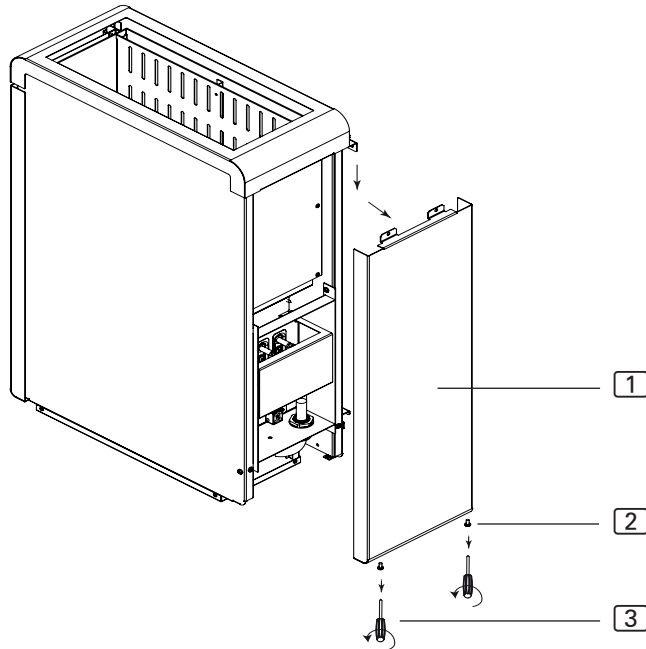
CP-RM-60
6,0 kW



CP-RM-75
7,5 kW

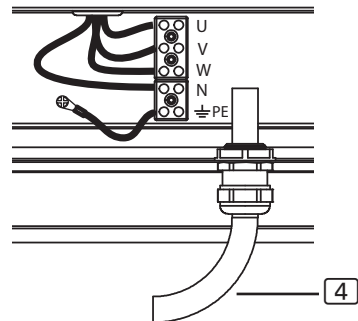
4.9. Elektrické připojení

1. Povolte šrouby [2] a [3] šroubovákem.
2. Sejměte krycí plech [1].



Připojení modelu Concept R mini 3,5 kW, 4,5 kW, 6,0 kW a 7,5 kW (CP-RM-35 / CP-RM-45 / CR-RM-60 / CP-RM-75)

1. Připojovací kabel provlečte průchodkou [4].
2. Vodiče připojovacího kabelu připojte ke svorkám U – V – W – N – PE saunových kamen a k odpovídajícím svorkám řídicí jednotky sauny. Přitom dodržte návod k montáži řídicí jednotky sauny.
3. Krycí plech [1] upevněte opět k saunovým kamnům.



5. Uvedení do provozu

5.1. Plnění koše na kameny



VÝSTRAHA!

Riziko požáru přehřátím

Pokud se saunová kamna používají bez saunových kamenů, stěny kabiny se silně zahřívají. To může být příčinou požáru.

- Saunová kamna NIKDY neuvádějte do provozu bez saunových kamenů.
-

Množství kamenů vhodné pro vaše kamna je uvedeno v kapitole **11. Technické údaje** (viz strana **26**).

1. Saunové kameny před použitím důkladně očistěte kartáčem a omyjte vodou. Nepoužívejte žádné čisticí přísady.
2. Kameny před vložením do saunových kamen zkontrolujte, zda neobsahují cizí tělesa, a odstraňte zbytky obalů.
3. Vložte saunové kameny do nádoby na kameny. Saunové kameny naskládejte volně, aby meziprostorem mohl proudit vzduch.
4. Dbejte na to, aby saunové kameny nepřesahovaly přes okraj nádoby na kameny.

5.2. První nahřívání



OPATRNĚ!

Při prvním rozeřívání vzniká kouř a je cítit zápach

Na nových topných tyčích jsou provozní látky z výrobního procesu. Ty se při prvním rozeřívání saunových kamen rozkládají. Přitom vzniká kouř a nepříjemný zápach. Vdechování těchto výparů nebo kouře škodí vašemu zdraví.

Při **prvním zprovoznění** a při **výměně topných tyčí saunových kamen** proveďte následující kroky. Zabráníte tak ohrožení zdraví výparů a kouřem, které vznikají při prvním rozeřívání.

1. Na řídicí jednotce sauny nastavte co nejvyšší teplotu.
2. Saunová kamna nahřívajte půl hodiny.
Během této doby se NEZDRŽUJTE v saunové kabině.
3. Po prvním rozeřívání dobře vyvětrejte saunovou kabinu.
4. Pokud při dalším rozeřívání nedochází ke vzniku kouře a pachu, můžete se začít saunovat.
Pokud se znovu uvolňuje kouř nebo zápach, okamžitě opusťte saunovou kabinu a opakujte rozeřívání kamen se zapnutým ventilátorem.

6. Obsluha



VÝSTRAHA!

Riziko požáru

Hořlavé předměty položené na saunových kamnech se mohou vznítit a způsobit požár.

- Na saunová kamna NIKDY nepokládejte hořlavé předměty.
- Před uvedením saunových kamen do provozu se ujistěte, že na saunových kamnech neleží ŽÁDNÉ hořlavé předměty.

6.1. Obsluha saunových kamen

Obsluha saunových kamen probíhá přes řídicí jednotku sauny. Informace k obsluze řídicí jednotky sauny naleznete v návodu k obsluze používaného zařízení. Pamatujte, že saunová kamna Concept R mini jsou vhodná pouze pro řídicí jednotky sauny bez funkce dálkového zapínání.

6.2. Polévání

Na konci saunování lze provést polévání. Saunové kameny polijte pomocí saunové naběračky vodou. Tím se voda odpaří a zvýší se vlhkost vzduchu v saunové kabině.

Při polévání dodržujte následující body:

- K polévání používejte pouze vodu z kohoutku. Mořská voda, voda s vysokým obsahem vápníku a chlorovaná voda mohou saunová kamna poškodit.
- Používejte pouze vonné látky a éterické oleje, které jsou výslovně vhodné k použití jako polévací prostředek v saunách. Dodržujte údaje výrobce uvedené na obalu polévacího prostředku.
- Saunové kameny nepolévejte vodou příliš rychle. Pouze tak se voda k polévání zcela odpaří.

7. Údržba

7.1. Delší přestávky v provozu

Ve vlhkém prostředí nebo po dlouhých přestávkách v provozu se v topných tyčích hromadí vlhkost. Jedná se o fyzikální proces a není to žádná chyba výrobce. Vlhkost v topných tyčích může vést ke spuštění proudového chrániče. V tomto případě povolte k odstranění poruchy kvalifikovaného elektrikáře (viz kapitola 9. **Řešení problémů montérem**).



Saunová kamna nahřívejte jednou za 5 až 6 týdnů asi na 15 minut. Tak zabráníte, aby se při delších přestávkách v provozu hromadila voda v topných tyčích.

7.2. Čistění saunových kamen

Dbejte na to, aby odvětrávací otvory byly zbaveny tkaniny a prachu. Tak zabráníte omezení cirkulace vzduchu v saunových kamnech a přehřátí zařízení.

7.3. Výměna saunových kamenů

Saunové kameny jsou namáhány polévacími prostředky a velkými rozdíly teplot, které se vyskytují při používání. Saunové kameny mohou být narušovány a mohou praskat.

Saunové kameny v pravidelných intervalech kontrolujte a alespoň jednou za rok je vyměňte.



VÝSTRAHA!

Riziko požáru přehřátím

Pokud se saunová kamna používají bez saunových kamenů, stěny kabiny se silně zahřívají. To může být příčinou požáru.

- Saunová kamna NIKDY neuvádějte do provozu bez saunových kamenů.

1. Staré saunové kameny odstraňte.
2. Z nádoby na kameny odstraňte zbytky vodního kamene, prachu a jiných nečistot.
3. Saunové kameny před použitím důkladně očistěte kartáčem a omyjte vodou. Nepoužívejte žádné čisticí přísady.
4. Kameny před vložením do saunových kamen zkontrolujte, zda neobsahují cizí tělesa, a odstraňte zbytky obalů.
5. Vložte saunové kameny do nádoby na kameny. Saunové kameny naskládejte volně, aby meziprostorem mohl proudit vzduch.
6. Dbejte na to, aby saunové kameny nepřesahovaly přes okraj nádoby na kameny.

8. Likvidace



- Obalové materiály zlikvidujte podle směrnic platných pro likvidaci.
- Stará zařízení obsahují recyklovatelné materiály, ale i škodlivé látky. Stará zařízení proto v žádném případě neodkládejte do odpadu, ale zlikvidujte je podle místních platných předpisů.

9. Řešení problémů montérem

Vyhřívání topných tyčí

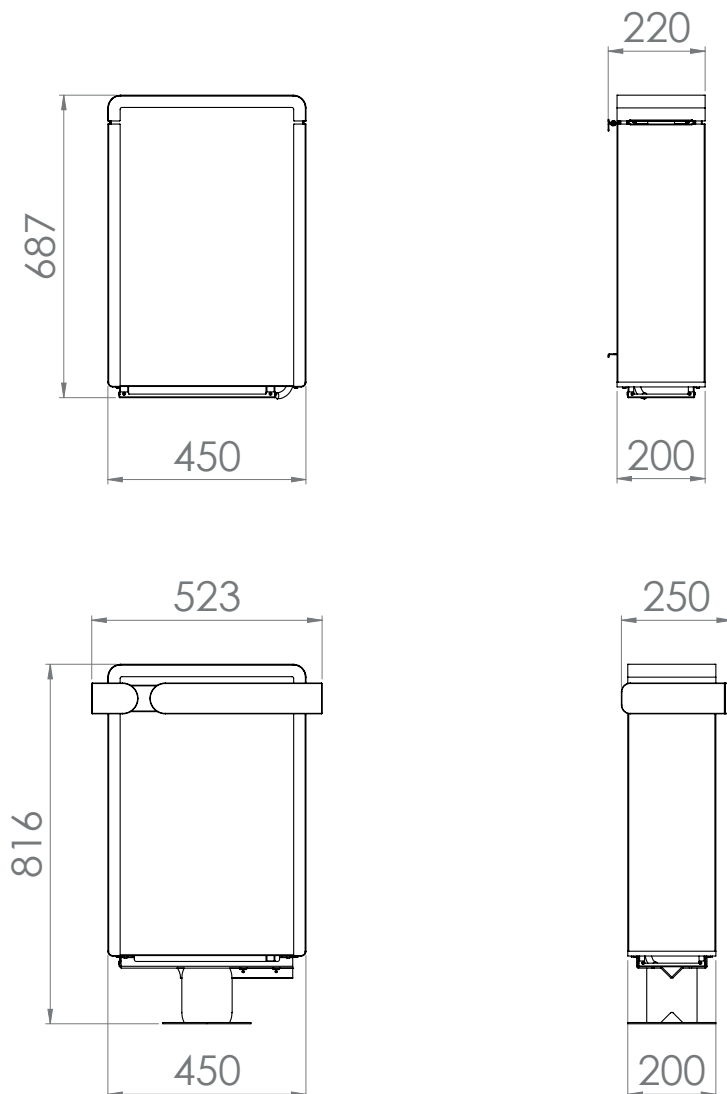
Ve vlhkém prostředí nebo po dlouhých přestávkách v provozu se v topných tyčích může hromadit vlhkost. Jedná se o fyzikální proces a není to žádná chyba výrobce. Vlhkost v topných tyčích může v určitých případech vést ke spuštění proudového chrániče.

V tomto případě je nutné vyhřívat saunová kamna pod dozorem kvalifikovaného elektrikáře. Přitom musí být deaktivována funkce proudového chrániče. Postup vyhřátí zabere asi 10 minut. Poté je nutné bezpečnostní funkci proudového chrániče obnovit.

Pokud bude problém trvat i nadále, obraťte se na svého dodavatele.

10. Rozměry

Obr. 11 Rozměry modelu Concept R mini 3,5 kW, 4,5 kW, 6,0 kW a 7,5 kW
(CP-RM-35 / CP-RM-45 / CR-RM-60, CP-RM-75)
Rozměry v mm



11. Technické údaje

Rozměry naleznete v **Obr. 11**.

Číslo položky	Výkon [kW]	Objem kabiny [m ³]	Minimální velikost odvětrávacího otvoru [mm]	Hmotnost bez kamenů [kg]
CP-RM-35	3,45	3–5	350 x 20	19,5
CP-RM-45	4,5	4–6	350 x 25	19,5
CP-RM-60	6,0	5–8	350 x 30	19,5
CP-RM-75	7,5	7–11	350 x 35	19,5

Číslo položky	Množství kamenů [kg]	Jištění [A]	Napájení
CP-RM-35	asi 15	3 x 10	400 V AC 3N~ 50/60 Hz 230 V AC 1N~ 50/60 Hz 230 V AC 3~ 50/60 Hz
CP-RM-45	asi 15	3 x 10	400 V AC 3N~ 50/60 Hz 230 V AC 1N~ 50/60 Hz 230 V AC 3~ 50/60 Hz
CP-RM-60	asi 15	3 x 10	400 V AC 3N~ 50/60 Hz 230 V AC 1N~ 50/60 Hz 230 V AC 3~ 50/60 Hz
CP-RM-75	asi 15	3 x 16	400 V AC 3N~ 50/60 Hz 230 V AC 1N~ 50/60 Hz

Číslo položky	Topné tyče
CP-RM-35	3 x CPRM115 (1-043-621)
CP-RM-45	3 x SCA150 (1-028-518)
CP-RM-60	3 x SCA200 (1-028-503)
CP-RM-75	3 x CPRM250 (1-042-346)



Peč za savno

Concept R mini

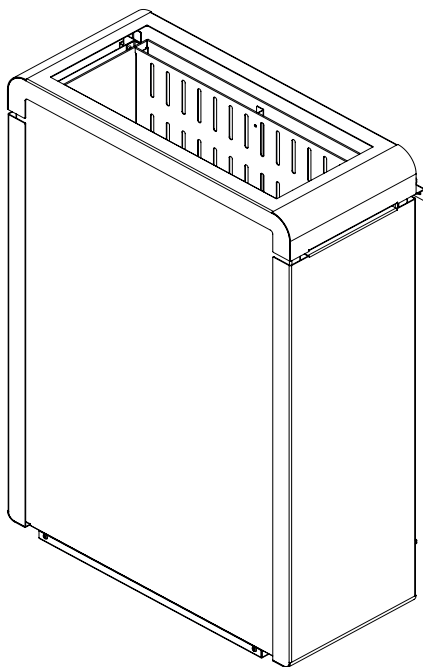
CP-RM-35 / 1-030-892: Concept R mini 3,5 kW

CP-RM-45 / 1-030-962: Concept R mini 4,5 kW

CP-RM-60 / 1-030-984: Concept R mini 6,0 kW

CP-RM-75 / 1-038-852: Concept R mini 7,5 kW

NAVODILA ZA MONTAŽO IN UPORABO slovenščina



SL

Kazalo vsebine

1. K tem navodilom	4
2. Pomembni napotki za vašo varnost	5
2.1. Uporaba skladna z določili	5
2.2. Varnostni napotki za monterja	6
2.3. Varnostni napotki za uporabnika	7
3. Opis proizvoda	9
3.1. Dobavni obseg	9
3.2. Pribor	9
3.3. Funkcije proizvoda	9
4. Montaža in priključitev	10
4.1. Postavitveno mesto in položaj tipala	10
4.2. Varnostni razmiki	11
4.3. Montaža na steno kabine	12
4.4. Montaža s stojno nogo (opcija)	14
4.5. Priključitveni načrt za 400V 3N~	16
4.6. Priključitveni načrt za 230V 3~	16
4.7. Priključitveni načrt za 230V 1N~	17
4.8. Sheme priključitve in ožičenja	18
4.9. Električna priključitev	19
5. Zagon	20
5.1. Polnjenje posode za kamenje	20
5.2. Prvo zagrevanje	21

6. Upravljanje	22
6.1. Upravljanje peči za savno	22
6.2. Polivanje	22
7. Vzdrževanje	23
7.1. Daljši premori med obratovanji	23
7.2. Čiščenje peči za savno	23
7.3. Menjava kamenja za savno	23
8. Odstranjevanje	24
9. Reševanje problemov s strani monterja	24
10. Dimenzije	25
11. Tehnični podatki	26

1. K tem navodilom

Navodila za montažo in uporabo skrbno preberite in jih shranite v bližini savne. Tako lahko v vsakem trenutku ponovno preberete informacije o vaši varnosti in o upravljanju.



Ta navodila za montažo in uporabo si lahko naložite z naše spletne strani www.sentiotec.com/downloads.

Simboli in opozorila

V teh navodilih za montažo in uporabo stoji pred dejanji, ki so nevarna, opozorilo. Brezpogojno sledite tem opozorilom. Tako preprečite materialno škodo in poškodbe, ki so lahko v najhujšem primeru celo smrtne.

V opozorilih so uporabljene signalne besede, ki imajo naslednji pomen:



NEVARNOST!

Če tega opozorila ne upoštevate, so posledica smrt ali težke poškodbe.



OPOZORILO!

Če tega opozorila ne upoštevate, so lahko posledica smrt ali težke poškodbe.



PREVIDNOST!

Če tega opozorila ne upoštevate, so lahko posledica lahke poškodbe.

POZOR!

Ta signalna beseda vas svari pred materialno škodo.

Drugi simboli



Ta simbol označuje nasvete in uporabna navodila.



Ne prekrivajte!



Preberite navodila za upravljanje

2. Pomembni napotki za vašo varnost

Peč za savno Concept R min je zgrajena po priznanih varnostno tehničnih smernicah. Kljub temu pa lahko pri uporabi nastanejo nevarnosti. Zato sledite naslednjim varnostnim napotkom in posebnim opozorilom v posameznih poglavjih.

2.1. Uporaba skladna z določili

Peč za savno Concept R mini se sme uporabljati le za ogrevanje kabin savn v kombinaciji s krmiljenjem savne brez funkcije daljinskega zagona.

Le v kombinaciji z varnostnim izklopom, ki ga prejmete kot opcijo, sme peč za savno Concept R mini obratovati tudi s krmiljenjem savne, ki ima na voljo funkcijo daljinskega zagona.

Le v kombinaciji z varnostnim izklopom, ki ga prejmete kot opcijo, sme peč za savno Concept R mini obratovati tudi v javnih savnah.

Vsaka drugačna uporaba velja kot uporaba, ki ni skladna z določili. Z določili neskladna uporaba lahko povzroči poškodovanje proizvoda, težke poškodbe ali smrt.

2.2. Varnostni napotki za monterja

- Montažo in priključitvena dela na peči za savno se sme opraviti le v breznapetostnem stanju.
- Montažo sme opraviti le elektro strokovnjak ali kvalificirana oseba podobne stroke.
- Na mestu samem je potrebno predvideti ločilno napravo za vse pole s popolnim izklopom skladno s prenapetostno kategorijo III.
- Za priključitev peči za savno uporabite izključno silikonske vodnike, ki so obstojni do temperature 150 °C.
- V kabino inštalirajte le eno peč. Peči za savno Concept R mini se ne sme uporabiti v kabini skupaj z drugimi pečmi za savne.
- Stropi in stene kabine se izdelajo iz neobdelanega lesa, ki vsebuje malo smole ali iz termično obdelanega lesa, npr. nordijske smreke, čuge, bora ali jelke ali iz materialov iz lepljenih lesnih slojev. Pri uporabi materialov iz lepljenih lesnih slojev se mora paziti na to, da lepila ne oddajajo formaldehida. Če se v kabini savne uporabijo drugi materiali kot les, morajo biti ti odporni proti vročini in koroziji in ne smejo negativno učinkovati na zdravje ljudi v savni.
- Višina kabine savne mora biti najmanj 1,9 m.
- Upoštevajte zahteve glede volumna in zračenja kabine savne v poglavju **11. Tehnični podatki**.
- Pri postavitvi peči za savno upoštevajte minimalne varnostne razmike (glejte poglavje **4.2. Varnostni razmiki**).
- Upoštevajte tudi krajevna določila na postavitvenem mestu.
- Pri problemih, ki v navodilih za montažo niso dovolj izčrpno obdelani, se zaradi svoje lastne varnosti obrnite na svojega dobavitelja.

2.3. Varnostni napotki za uporabnika

- Naprave ne smejo uporabljati otroci mlajši od 8 let.
- Napravo smejo uporabljati otroci starejši od 8 let, osebe z zmanjšanimi psihičnimi, senzoričnimi ali mentalnimi sposobnostmi in osebe s pomanjkljivimi izkušnjami in vedenjem le pod naslednjimi pogoji:
 - če so pod nadzorom,
 - če jim je bila predstavljena varna uporaba in razumejo nevarnosti, ki bi lahko nastale.
- Otroci se z napravo ne smejo igrati.
- Otroci mlajši od 14 let smejo napravo čistiti le pod nadzorom.
- Če ste pod vplivom alkohola, zdravil ali drog, se kopeli v savni odpovejte iz zdravstvenih razlogov.
- Peč za savno nikoli ne sme obratovati brez kamenja za savno, ker bi to lahko povzročilo požare.

- Prepričajte se, da na peči za savno ne ležijo nobeni gorljivi predmeti, šele nato lahko vklopite krmiljenje savne.
- PRED prvo kopeljo v savni zagrejte peč za savno za pol ure. V tem času se NE zadržujte v kabini savne. Nato kabino savne dobro prezračite (glejte **5.2. Prvo zagrevanje** na strani **21**).
- Me obratovanjem se nikoli ne dotikajte peči. Površina peči in kamenje za savno so zelo vroči.
- Pri problemih, ki v navodilih za uporabo niso dovolj izčrpno obdelani, se zaradi svoje lastne varnosti obrnite na svojega dobavitelja.

3. Opis proizvoda

3.1. Dobavni obseg

- Peč za savno
- Navodila za montažo in uporabo

3.2. Pribor

<i>Pribor</i>	<i>Štev. artikla</i>
Komplet držal za ograjo peči Concept R mini	CP-RM-HSR-4S / 1-049-506
Lesena ograja Concept R mini LIPOV LES	CP-RM-L-4S / 1-049-706
Lesena ograja Concept R mini OREHOV LES	CP-RM-N-4S / 1-049-707
Stojna noga za Concept R mini	CP-RM-SF / 1-043-964
Pokrov stojna noga Concept R mini lipov les	CP-RM-CSF-L / 1-041-482
Pokrov stojna noga Concept R mini orehov les	CP-RM-CSF-N / 1-041-483

3.3. Funkcije proizvoda

Peč za savno Concept R mini je finska peč za savno in omogoča ustvarjanje za finsko savno značilne klime 80 do 100 °C pri zračni vlagi pribl. 10 %.

4. Montaža in priključitev

Upoštevajte naslednje točke pri postavitvi in priključitvi peči za savno:



OPOZORILO!

Nevarnost udara električnega toka

- Montažo in priključitvena dela na peči za savno opravite le v brez-napetostnem stanju.
-

- Električno priključitev sme opraviti le elektro strokovnjak ali kvalificirana oseba podobne stroke.
- Na mestu samem je potrebno predvideti ločilno napravo za vse pole s popolnim izklopom skladno s prenapetostno kategorijo III.
- Peč za savno Concept R mini je stenska peč. Pred zagonom preverite, če peč trdno sedi na montažni letvi.

4.1. Postavitveno mesto in položaj tipala

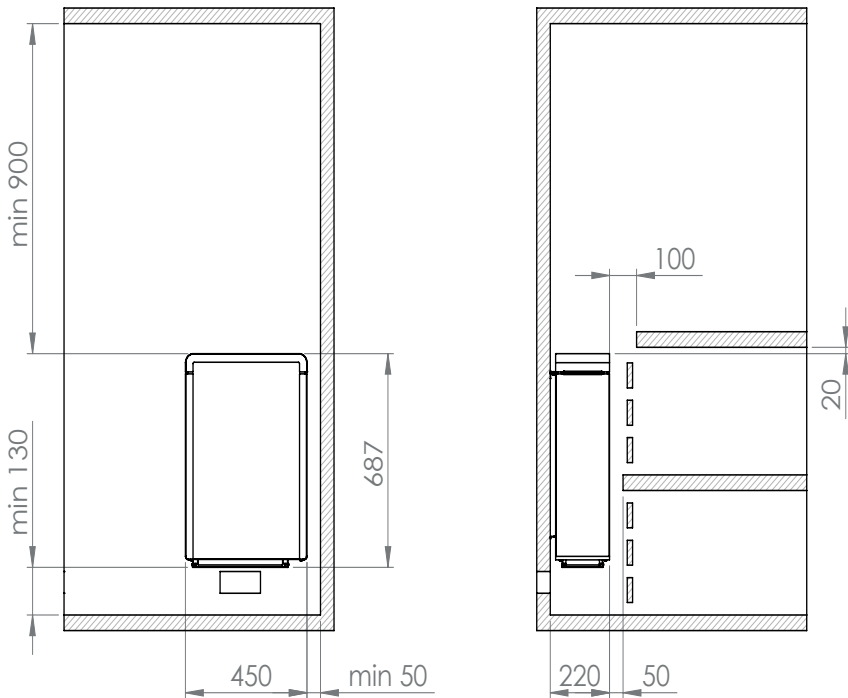
Peč montirajte središčno pred vstopno odprtino za zrak na steni kabine. Pri tem upoštevajte varnostne razmike od stene kabine, ki so navedeni v **SI. 1**.

Tipalo temperature z varovalko pred previsoko temperaturo montirajte na steno kabine nad sredino peči. Razmik od stropa kabine mora biti 15 cm.

4.2. Varnostni razmiki

Upoštevajte minimalne varnostne razmike, ki so navedeni v **SI. 1**.

SI. 1 Varnostni razmiki
Concept R mini 3,5 kW, 4,5 kW, 6,0 kW in 7,5 kW
(CP-RM-35 / CP-RM-45 / CR-RM-60 / CP-RM-75)
Dimenzije v mm



4.3. Montaža na steno kabine

Upoštevajte Sl. 1, Sl. 2, Sl. 3 in Sl. 4 (stran 11, 12, 13).

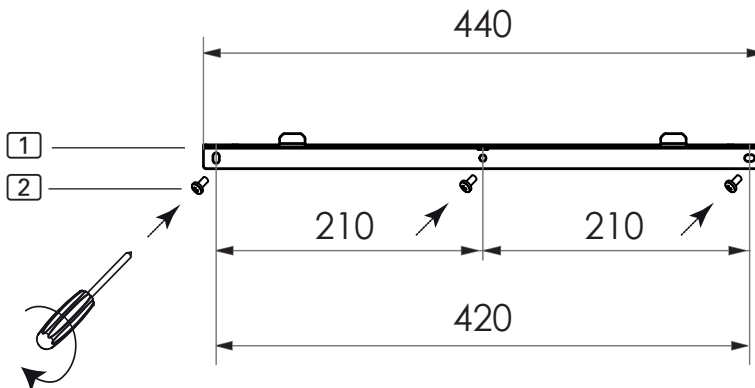
1. Montažno letev [1] pritrdite vodoravno s priloženimi lesnimi vijaki [2] na steno. Pri tem upoštevajte minimalne razmike peči na sl. 1.
2. Peč [3] obesite na montažno letev od zgoraj navzdol. Pri tem pazite, da peč izravnano sedi.
3. Zavarujte peč [3] s priloženim varovalnim vijakom [4] na montažni letvi [1].



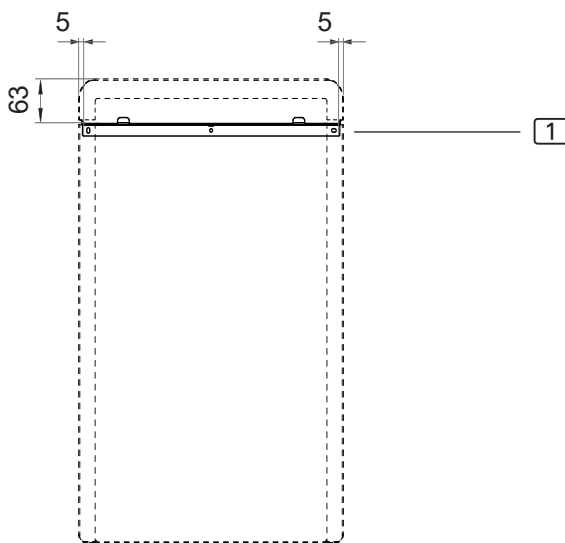
OPOZORILO!
Nevarnost požara

- Da peč pritrdite in da jo zavarujete pred zdrsom, jo pritrdite s priloženim varovalnim vijakom 4.

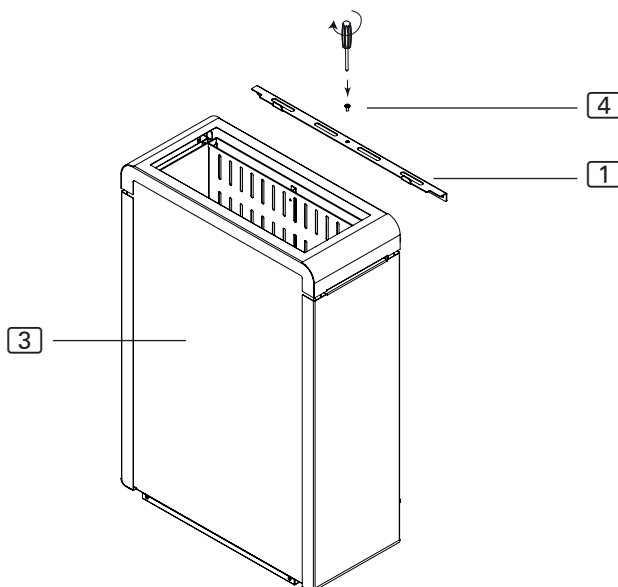
Sl. 2 Montažna letev Concept R mini
Dimenzije v mm



SI. 3 Položaj montažne letve Concept R mini
Dimenzije v mm



SI. 4 Varovalka Concept R mini (montažna letev)



4.4. Montaža s stojno nogo (opcija)

Upoštevajte **SI. 1**, **SI. 5**, **SI. 6** (stran 11, 14, 15).

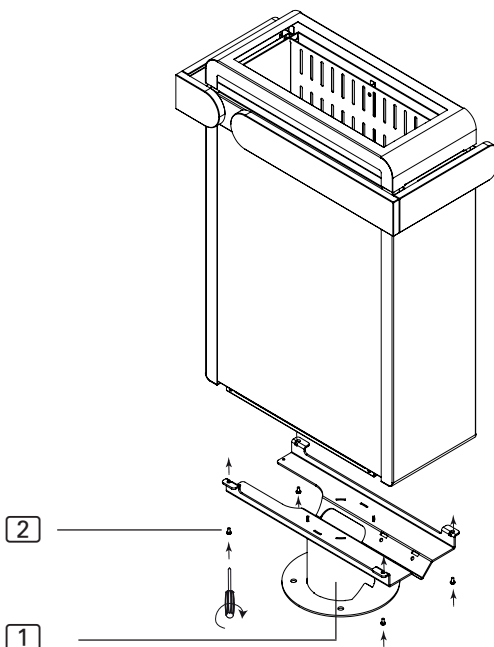
1. Pritrdite stojno nogo **1** s priloženimi vijaki **2** na spodnjo stran peči. Pri tem pazite, da je okrogla odprtina na strani uparjalnika.
2. Stojno nogo pritrdite s priloženimi vijaki na tla (**SI. 6**). Glede na kakovost tal uporabite priložene lesne vijake ali moznike s pripadajočimi vijaki. Pri tem upoštevajte minimalne razmike peči na **SI. 1**.

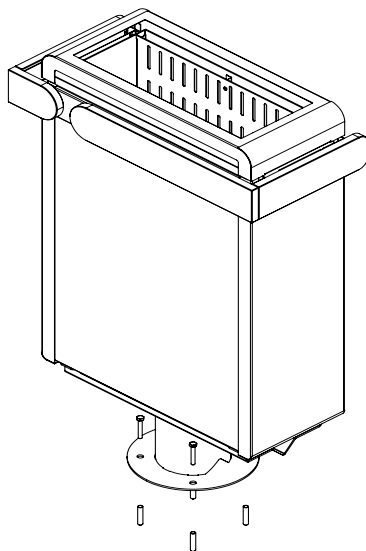
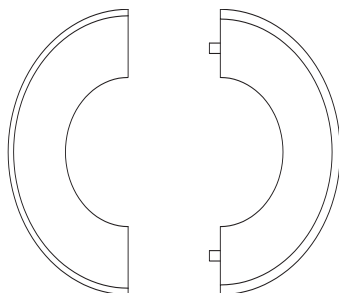


OPOZORILO! ***Nevarnost požara***

- Peč s stojno nogo pritrdite direktno na zadosti trdno podlago, npr. na podlago, na kateri je postavljena kabina savne - **NE** na polico savne.

SI. 5 Montaža stojna noga na Concept R mini

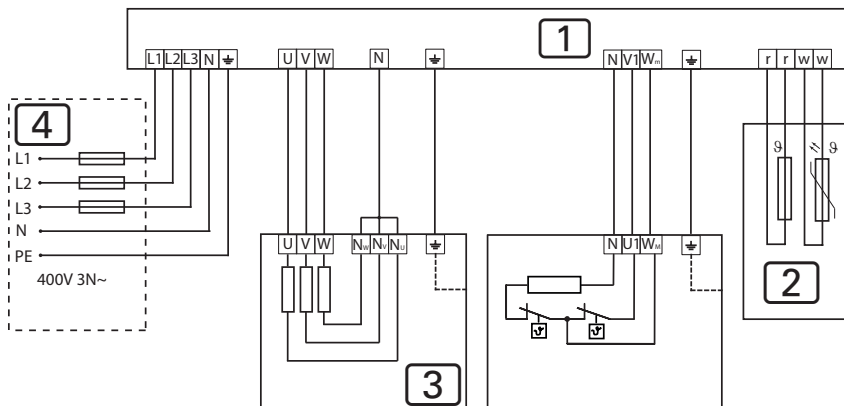


Sl. 6 Pritrditev Concept R mini s stojno nogo**Sl. 7** Montaža lesenega pokrova za stojno nogo (kot opcija)

Da prekrijete vijake stojne noge, položite obe polovici prekrivnega obroča okoli stojne noge in ju trdno stisnite skupaj.

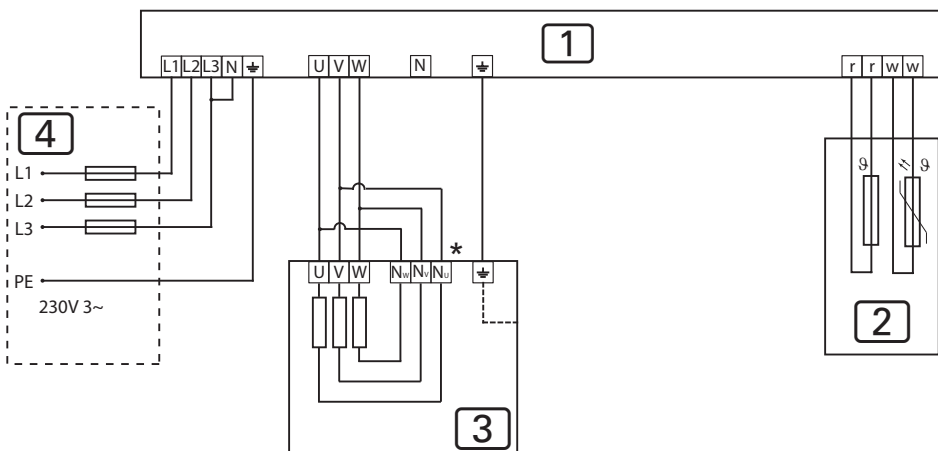
4.5. Priključitveni načrt za 400V 3N~

SI. 8 Priključitveni načrt Concept R mini
3,5 kW, 4,5 kW, 6,0 kW und 7,5 kW
(CP-RM-35 / CP-RM-45 / CR-RM-60 / CP-RM-75)



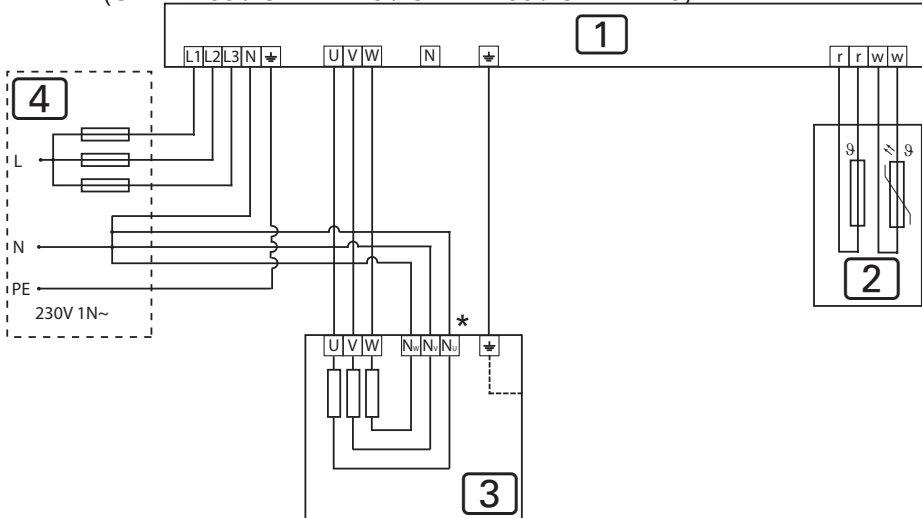
4.6. Priključitveni načrt za 230V 3~

SI. 9 Priključitveni načrt Concept R mini
3,5 kW, 4,5 kW in 6,0 kW
(CP-RM-35 / CP-RM-45 / CR-RM-60)



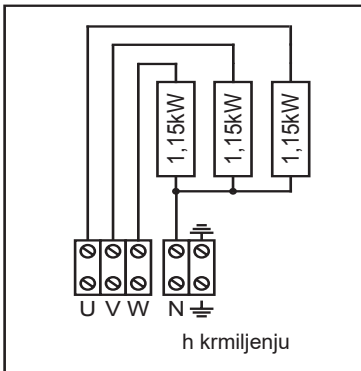
4.7. Priključitveni načrt za 230V 1N~

SI. 10 Priključitveni načrt Concept R mini
3,5 kW, 4,5 kW, 6,0 kW und 7,5 kW
(CP-RM-35 / CP-RM-45 / CR-RM-60 / CP-RM-75)

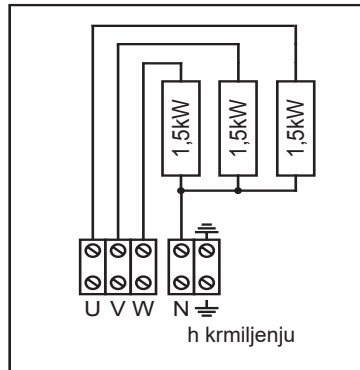


- 1 krmiljenje savne
- 2 tipalo temperature z varovalko pred previsoko temperaturo
- 3 peč za savno
- 4 oskrba s tokom
- * Odstranite bakreni mostič

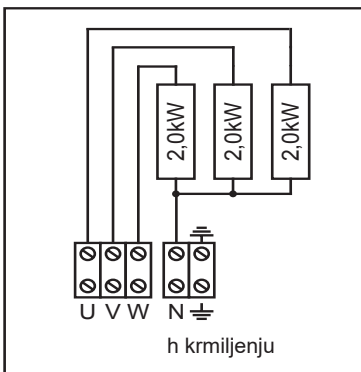
4.8. Sheme priključitve in ožičenja



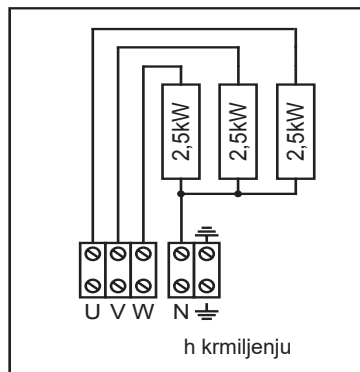
CP-RM-35
3,45 kW



CP-RM-45
4,5 kW



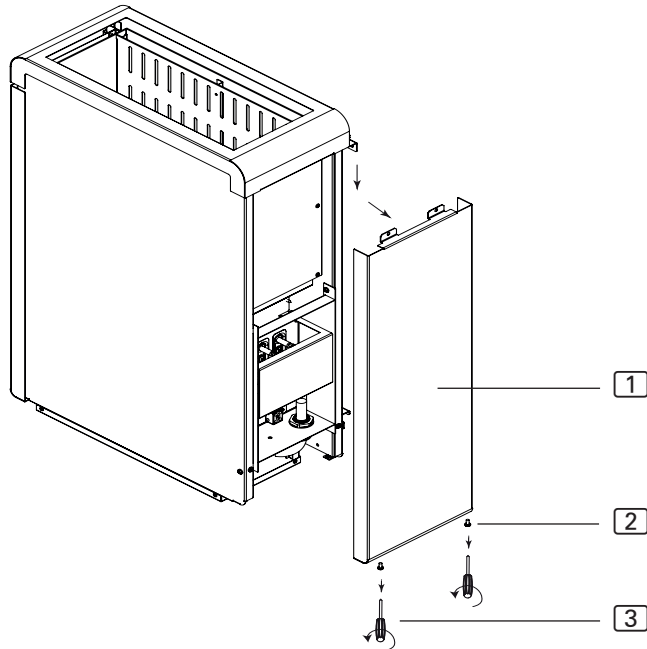
CP-RM-60
6,0 kW



CP-RM-75
7,5 kW

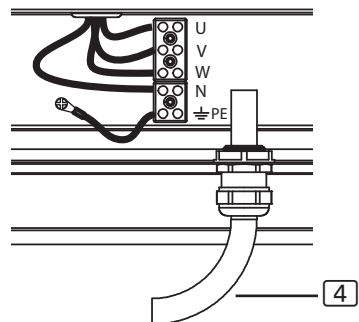
4.9. Električna priključitev

1. Z izvijačem odvijte vijaka **2** in **3**.
2. Odstranite prekrivno pločevino **1**.



Priključitev Concept R mini 3,5 kW, 4,5 kW, 6,0 kW in 7,5 kW (CP-RM-35 / CP-RM-45 / CR-RM-60 / CP-RM-75)

1. Priključni kabel speljite skozi skoznjik **4**.
2. Žile priključnega kabla priključite na sponke U – V – W – N – PE peči in na ustrezne sponke krmiljenja peči. Pri tem upoštevajte navodila za montažo krmiljenja peči.
3. Na peč za savno ponovno pritrdite prekrivno pločevino **1**.



5. Zagon

5.1. Polnjenje posode za kamenje

**OPOZORILO!*****Nevarnost požara zaradi pregretja***

Če uporabite peč za savno brez kamenja, se stene kabine močno segrejejo. To lahko povzroči požare.

- Peči za savno NIKOLI ne zaženite brez kamenja za savno.
-

Količino kamenja, ki je primerna za vašo peč, najdete v poglavju **11. Tehnični podatki** (glejte stran **26**).

1. Pred uporabo kamenje za savno temeljito operite s ščetko in vodo. Ne uporabljajte dodatkov za čiščenje.
2. Preden peč za savno napolnite s kamenjem preverite, da ti ne vsebujejo tujkov in odstranite ostanke embalaže.
3. Kamenje za savno položite v posodo za kamenje. Razporedite jih rahlo, tako da lahko zrak med njimi kroži.
4. Pazite, da kamenje ne sega čez rob posode.

5.2. Prvo zagrevanje



PREVIDNOST!

Nastanek dima in vonja ob prvem zagrevanju

Na novih ogrevalnih palicah so obratovalne snovi iz postopka izdelave. Te se razkrojijo ob prvem zagrevanju peči za savno. Pri tem nastane dim in neprijeten vonj. Če te pare ali dim vdihujete, škoduje to vašemu zdravju.

Naslednje korake opravite, ko vašo peč za savno **prvič zaženete** in ko ste **ogrevalne palice vaše peči za savno** zamenjali. Tako preprečite škodovanje zdravju zaradi par in dima, ki nastanejo ob prvem zagrevanju.

1. Na krmilni napravi za savno izberite najvišjo možno temperaturo.
2. Peč za savno zagrejte za pol ure.
V tem času se NE zadržujte v kabini savne.
3. Po prvem zagrevanju kabino savne dobro prezračite.
4. Če pri naslednjem zagrevanju dim in vonj ne nastajata več, lahko začnete s kopeljo v savni.
Če dim in vonj ponovno nastaneta, takoj zapustite kabino savne in ponovite prvo zagrevanje, kateremu mora slediti zračenje.

6. Upravljanje



OPOZORILO!

Nevarnost požara

Gorljivi predmeti, ki ležijo na vroči peči, se vnamejo in povzročijo požare.

- NIKOLI ne položite gorljivih predmetov na peč.
 - Prepričajte se, da na peči za savno ne ležijo NOBENI gorljivi predmeti, šele nato zaženite peč za savno.
-

6.1. Upravljanje peči za savno

Upravljanje peči za savno poteka prek krmiljenja za savno. Informacije o upravljanju krmiljenja za savno dobite v navodilih za upravljanje naprave, ki jo uporabljate. Upoštevajte, da je peč za savno Concept R mini primerna le za krmiljenje za savno brez funkcije daljinskega zagona.

6.2. Polivanje

Po končanem savnanju lahko opravite poparek. Z zajemalko polijte vodo preko kamenja za savno. Voda izpari in vlažnost v kabini se poveča.

Pri poparku upoštevajte naslednje točke:

- Za polivanje uporabite le vodo iz vodovoda. Morska voda, voda, ki vsebuje veliko kalcija in močno klorirana voda lahko poškodujejo peč za savno.
- Uporabite le dišave in eterična olja, ki so primerni izključno za uporabo kot sredstva za poparke v savnah. Upoštevajte podatke proizvajalca na embalaži sredstva za poparke.
- Vode ne polijte prehitro preko kamenja za savno. Le tako bo voda popolnoma izparela.

7. Vzdrževanje

7.1. Daljši premori med obratovanji

Ob vlažnih pogojih v okolici ali daljših premorih med obratovanji se v ogrevalnih palicah kopiči vlaga. To je fizikalni pojav in ni napaka proizvajalca. Vlaga v ogrevalnih palicah lahko povzroči sprožitev zaščitnega sikala FI. V tem primeru naj napako odpravi elektro strokovnjak (glejte poglavje **9. Reševanje problemov s strani monterja**).



Peč za savno zagrejte vsakih 5 do 6 tednov za pribl. 15 minut. Tako preprečite, da bi se ob daljših premorih med obratovanji v ogrevalnih palicah kopičila voda.

7.2. Čiščenje peči za savno

Pazite na to, da se v prezračevalnih odprtinah ne nabira prah in prašni puhek. Tako preprečite, da bi bila cirkulacija zraka v peči omejena in da bi se naprava pregrela.

7.3. Menjava kamenja za savno

Kamenje za savno obremenjujejo sredstva za poparke in velike temperaturne razlike, do katerih pride pri uporabi. Kamenje lahko postane načeto in krhko.

Zato preverite kamenje v rednih časovnih razmikih in ga najmanj enkrat letno zamenjajte.



OPOZORILO!

Nevarnost požara zaradi pregretja

Če uporabite peč za savno brez kamenja, se stene kabine močno segrejejo. To lahko povzroči požare.

- Peči za savno NIKOLI ne zaženite brez kamenja za savno.

1. Staro kamenje za savno odstranite.
2. Posodo za kamenje očistite ostankov kalcija, prahu in drugih nečistoč.
3. Pred uporabo kamenje za savno temeljito operite s ščetko in vodo. Ne uporabljajte dodatkov za čiščenje.
4. Preden peč za savno napolnite s kamenjem preverite, da ti ne vsebujejo tujkov in odstranite ostanke embalaže.
5. Kamenje za savno položite v posodo za kamenje. Razporedite jih rahlo, tako da lahko zrak med njimi kroži.
6. Pazite, da kamenje ne sega čez rob posode.

8. Odstranjevanje



- Embalažni material odstranite po veljavnih smernicah za odstranjevanje.
- Izrabljene stare naprave vsebujejo ponovno uporabne materiale, pa tudi škodljive snovi. Zato vaše stare naprave ne odložite med ostale odpadke, temveč jo odstranite po krajevnih veljavnih predpisih.

9. Reševanje problemov s strani monterja

Ohlajanje ogrevalnih palic

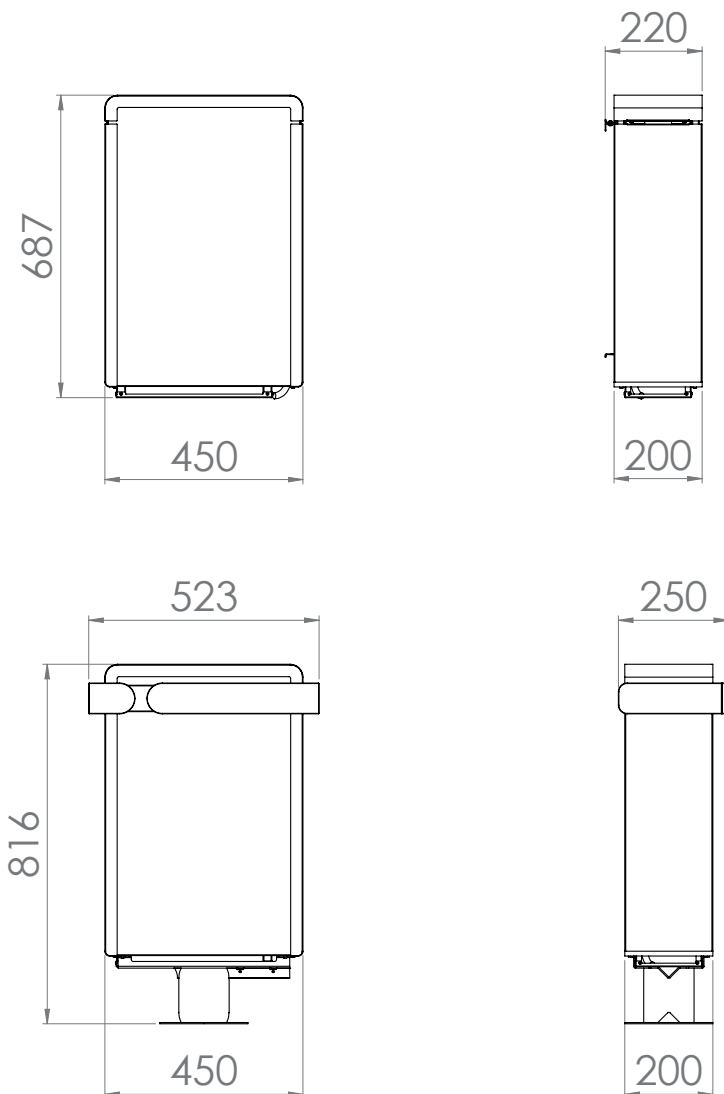
Ob vlažnih pogojih v okolici ali daljših premorih med obratovanji se lahko v ogrevalnih palicah kopiči vlaga. To je fizikalni pojav in ni napaka proizvajalca. Vlaga v ogrevalnih palicah lahko povzroči sprožitev zaščitnega stikala FI.

V tem primeru je potrebno, da peč ohladite pod nadzorom elektro strokovnjaka. Pri tem se mora izklopiti zaščitno funkcijo stikala FI. Postopek ohlajanja traja pribl. 10 minut. Nato se mora ponovno vzpostaviti zaščitno funkcijo stikala FI.

Če težave še vedno ne morete odpraviti, se obrnite na vašega dobavitelja.

10. Dimenzije

- SI. 11** Dimenzije Concept R mini 3,5 kW, 4,5 kW 6,0 kW in 7,5 kW
(CP-RM-35 / CP-RM-45 / CR-RM-60 / CP-RM-75)
Dimenzije v mm



11. Tehnični podatki

Dimenzije najdete na **SI. 11**.

Štev. artikla	Moč [kW]	Volumen kabine [m³]	Minimalna velikost prezračevalna odprtina [mm]	Teža brez kamenja [kg]
CP-RM-35	3,45	3 - 5	350 x 20	19,5
CP-RM-45	4,5	4 - 6	350 x 25	19,5
CP-RM-60	6,0	5 - 8	350 x 30	19,5
CP-RM-75	7,5	7 - 11	350 x 35	19,5

Štev. artikla	Količina kamenja [kg]	Varovalka [A]	Oskrba
CP-RM-35	pribl. 15	3 x 10	400 V AC 3N~ 50/60 Hz 230 V AC 1N~ 50/60 Hz 230 V AC 3~ 50/60 Hz
CP-RM-45	pribl. 15	3 x 10	400 V AC 3N~ 50/60 Hz 230 V AC 1N~ 50/60 Hz 230 V AC 3~ 50/60 Hz
CP-RM-60	pribl. 15	3 x 10	400 V AC 3N~ 50/60 Hz 230 V AC 1N~ 50/60 Hz 230 V AC 3~ 50/60 Hz
CP-RM-75	pribl. 15	3 x 16	400 V AC 3N~ 50/60 Hz 230 V AC 1N~ 50/60 Hz

Štev. artikla	Ogrevalne palice
CP-RM-35	3 x CPRM115 (1-043-621)
CP-RM-45	3 x SCA150 (1-028-518)
CP-RM-60	3 x SCA200 (1-028-503)
CP-RM-75	3 x CPRM250 (1-042-346)



Kiuas

Concept R mini

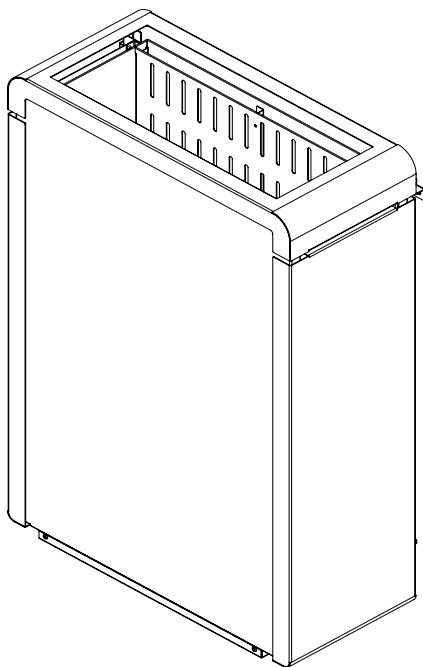
CP-RM-35 / 1-030-892: Concept R mini 3,5 kW

CP-RM-45 / 1-030-962: Concept R mini 4,5 kW

CP-RM-60 / 1-030-984: Concept R mini 6,0 kW

CP-RM-75 / 1-038-852: Concept R mini 7,5 kW

ASENNUS- JA KÄYTTÖOHJEET Suomi



FI

Sisällysluettelo

1. Sananen näistä ohjeista	4
2. TÄRKEITÄ OHJEITA turvallisuutesi varmistamiseksi	5
2.1. Käyttötarkoitus	5
2.2. Turvaohjeita asentajalle	6
2.3. Turvaohjeita käyttäjälle	7
3. Tuotekuvaus	9
3.1. Toimituskokonaisuus	9
3.2. Lisävarusteet	9
3.3. Tuotteen toiminnot	9
4. Asennus ja liitäntä	10
4.1. Sijoituspaikka ja anturin sijainti	10
4.2. Suojaetäisyydet	11
4.3. Asennus saunahuoneen seinään	12
4.4. Asennus jalustalla (valinnainen)	14
4.5. Liitäntäkaavio, malli 400V 3N~	16
4.6. Liitäntäkaavio, malli 230V 3~	16
4.7. Liitäntäkaavio, malli 230V 1N~	17
4.8. Johdotuskaaviot	18
4.9. Sähköliitäntä	19
5. Käyttöönotto	20
5.1. Kivitiilan täyttäminen	20
5.2. Ensimmäinen lämmityskerta	21

6. Käyttö	22
6.1. Kiukaan käyttö	22
6.2. Löylyn heittäminen	22
7. Huolto	23
7.1. Pidemmät käyttökatkokset	23
7.2. Kiukaan puhdistaminen	23
7.3. Kiuaskivien vaihtaminen	23
8. Hävittäminen	24
9. Asentajan ongelmanratkaisuja	24
10. Mitat	25
11. Tekniset tiedot	26

1. Sananen näistä ohjeista

Lue nämä asennus- ja käyttöohjeet huolellisesti läpi ja säilytä niitä saunan lähellä. Näin voit katsoa turvallisuuttasi sekä käyttöä koskevia tietoja milloin tahansa.



Asennus- ja käyttöohjeet saat myös Internet-sivujemme materiaalinlatausosiosta osoitteesta www.sentiotec.com/downloads.

Symbolit ja varoitukset

Näissä asennus- ja käyttöohjeissa annetaan varoitus ennen toimia, jotka muodostavat vaaratekijän. Näitä varoituksia on ehdottomasti noudatettava. Näin vältät esinevahingot ja loukkaantumiset, jotka pahimmassa tapauksessa voivat aiheuttaa jopa kuoleman.

Varoituksissa käytetään huomiosanoja, joiden merkitys on seuraava:



VAARA!

Jos et noudata tätä varoitusta, seurauksena on kuolema tai vakava loukkaantuminen.



VAROITUS!

Jos et noudata tätä varoitusta, seurauksena voi olla kuolema tai vakava loukkaantuminen.



VARO!

Jos et noudata tätä varoitusta, seurauksena voi olla lievä loukkaantuminen.

HUOMIO!

Tällä huomiosanalla varoitetaan esinevahingoista.

Muut symbolit



Tällä symbolilla merkitään vinkit ja hyödylliset ohjeet.



Ei saa peittää!



Lue käyttöohjeet

2. TÄRKEITÄ OHJEITA turvallisuutesi varmistamiseksi

Concept R mini -kiuas on valmistettu hyväksytyjen turvallisuusteknisten ohjeiden mukaan. Käytön yhteydessä voi silti ilmetä vaaroja. Noudata siksi seuraavia turvaohjeita ja yksittäisissä luvuissa annettuja erityisiä varoituksia.

2.1. Käyttötarkoitus

Concept R mini -kiuasta saa käyttää saunahuoneiden lämmittämiseen ainoastaan ohjauskeskuksella, jossa ei ole etäkäynnistystoimintoa.

Ainoastaan yhdessä valinnaisesti saatavilla olevan turvakatkaisimen kanssa voi Concept R mini -kiuasta käyttää myös ohjauskeskuksella, jossa on etäkäynnistystoiminto.

Ainoastaan yhdessä valinnaisesti saatavilla olevan turvakatkaisimen kanssa voi Concept R mini -kiuasta käyttää myös yleisissä saunoissa.

Muunlaisen käytön katsotaan poikkeavan tuotteen käyttötarkoituksesta. Tuotteen käyttötarkoituksesta poikkeava käyttö voi johtaa tuotteen vaurioitumiseen, vakaviin vammoihin tai kuolemaan.

2.2. Turvaohjeita asentajalle

- Kiukaan parissa tehtävät asennus- ja liitäntätyöt saa suorittaa vain silloin, kun kiuas ei ole kytkettynä virtalähteeseen.
- Vain sähköalan ammattilainen tai vastaavan pätevyyden omaava henkilö saa suorittaa asennuksen.
- Asiakkaan on järjestettävä ylijännitekategorian III mukainen kaikkinaipainen erotuslaite, joka takaa täyden katkaisun.
- Käytä kiukaan liittämiseen ainoastaan 150 °C kestäviä silikoni-johtoja.
- Asenna saunahuoneeseen ainoastaan yksi kiuas. Concept R mini-kiuasta ei saa käyttää samassa saunahuoneessa muiden kiuaiden kanssa.
- Saunahuoneen katto ja seinät on valmistettava pihkaamattomasta, käsittelemättömästä tai lämpökäsitellystä puusta, esim. kuusesta, hemlokista, männystä tai pihdasta tai kertopuumateriaaleista. Kertopuumateriaaleja käytettäessä on varmistettava, että niiden liimoista ei irtoa formaldehydiä. Jos saunahuoneessa käytetään muita materiaaleja kuin puuta, näiden materiaalien pitää kestää kuumuutta ja korroosiota, eikä niillä saa olla kielteistä vaikutusta saunojien terveyteen.
- Saunahuoneen korkeuden on oltava vähintään 1,9 metriä.
- Huomaa saunahuoneen tilavuutta ja tuuletusta koskevat ohjeet kappaleessa **11. Tekniset tiedot**.
- Kiuasta sijoitettaessa on otettava huomioon vähimmäissuojajäätisyydet (katso kappale **4.2. Suojaetäisyydet**).
- Noudata myös sijoituspaikan paikallisia määräyksiä.
- Käännä oman turvallisuutesi vuoksi toimittajasi puoleen sellaisissa ongelmissa, joita ei käsitellä asennusohjeessa kyllin tarkasti.

2.3. Turvaohjeita käyttäjälle

- Alle 8-vuotiaat lapset eivät saa käyttää laitetta.
- Yli 8-vuotiaat lapset, fyysisiltä, sensorisilta tai henkisiltä kyvyiltään rajoittuneet henkilöt sekä henkilöt, joiden kokemus ja tiedot ovat puutteellisia, saavat käyttää laitetta seuraavin ehdoin:
 - jos he ovat valvonnan alaisia.
 - jos heille on näytetty turvallinen käyttö ja he ymmärtävät vaarat, joita voi syntyä.
- Lapset eivät saa leikkiä laitteella.
- Alle 14-vuotiaat lapset saavat puhdistaa laitteen vain valvonnan alaisina.
- Jätä saunominen terveydellisistä syistä väliin, jos olet alkoholin, lääkkeiden tai huumeiden vaikutuksen alaisena.
- Kiuasta ei saa koskaan käyttää ilman saunakiviä, muutoin voi syttyä tulipalo.
- Ennen kuin kytket kiukaan päälle, varmista, että kiukaalla ei ole tulenarkoja esineitä.

- Lämmitä kiuasta puoli tuntia ENNEN ensimmäistä saunomista. ÄLÄ oleskele tänä aikana saunahuoneessa. Tuuleta saunahuone loppuksi hyvin (katso **5.2. Ensimmäinen lämmityskerta** sivulla **21**).
- Älä koske kiukaaseen käytön aikana. Kiukaan pinta ja kivet kuumenevat hyvin voimakkaasti.
- Käänny oman turvallisuutesi vuoksi toimittajasi puoleen sellaisissa ongelmissa, joita ei käsitellä käyttöohjeessa kyllin tarkasti.

3. Tuotekuvaus

3.1. Toimituskokonaisuus

- Kiuas
- Asennus- ja käyttöohjeet

3.2. Lisävarusteet

<i>Lisävarusteet</i>	<i>Tuotenumero</i>
Concept R mini -kiuaskaiteen pidikesarja	CP-RM-HSR-4S / 1-049-506
Puukaide Concept R mini lehmus	CP-RM-L-4S / 1-049-706
Puukaide Concept R mini pähkinäpuu	CP-RM-N-4S / 1-049-707
Concept R mini -jalusta	CP-RM-SF / 1-043-964
Jalustan kate Concept R mini lehmus	CP-RM-CSF-L / 1-041-482
Jalustan kate Concept R mini pähkinäpuu	CP-RM-CSF-N / 1-041-483

3.3. Tuotteen toiminnot

Concept R mini -kiuas on suomalainen kiuas ja se mahdollistaa suomalaisille saunoille tyypillisen 80 - 100 °C:een saunailmaston ilmankosteuden ollessa noin 10 %.

4. Asennus ja liitântä

Huomaa seuraavat kohdat, kun asennat ja liität kiuasta:



VAROITUS!

Sähköiskuvaara

- Suorita kiukaan asennus- ja liitântätyöt ainoastaan sen ollessa jännitteetön.
-

- Vain sähköalan ammattilainen tai vastaavan pätevyyden omaava henkilö saa suorittaa sähköliitännät.
- Asiakkaan on järjestettävä ylijännitekategorian III mukainen kaikkinaipainen erotuslaite, joka takaa täyden katkaisun.
- Concept R mini -kiuas on seinälle asennettava kiuas. Varmista ennen käyttöönottoa, että kiuas on asennettu tukevasti asennuslistaan.

4.1. Sijoituspaikka ja anturin sijainti

Asenna kiuas keskelle saunahuoneen seinän ilmanottoaukkoja. Noudata tällöin seinään pidettäviä suojaetäisyyksiä, ks. **Kuva 1**.

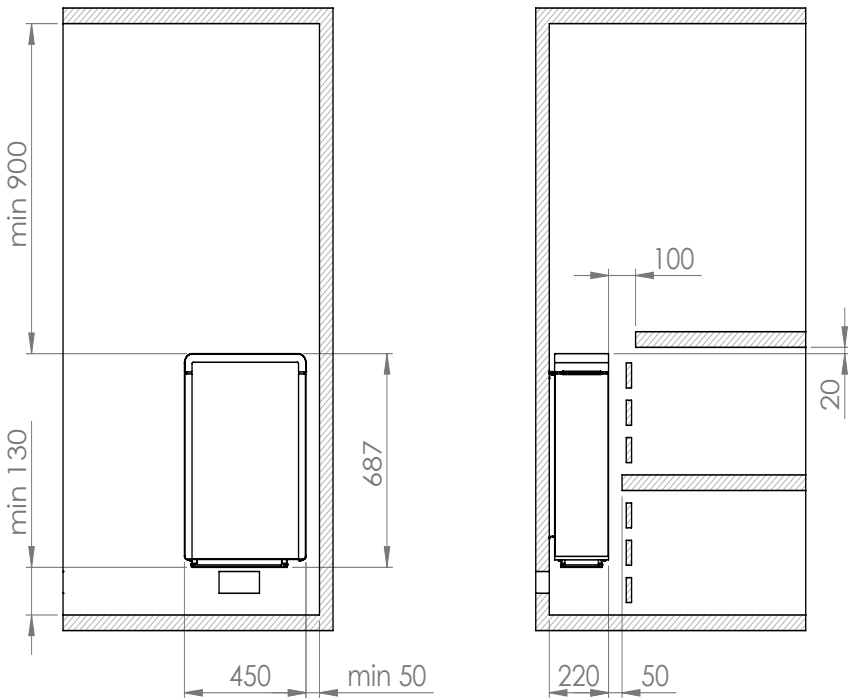
Asenna ylikuumenemissuojalla varustettu lämpötila-anturi saunahuoneen seinään, suoraan kiukaan yläpuolelle. Etäisyyttä saunahuoneen kattoon on oltava 15 cm.

4.2. Suojaetäisyydet

Ota vähimmäissuojaetäisyydet huomioon, ks. **Kuva 1**.

Kuva 1 Suojaetäisyydet

Concept R mini 3,5 kW, 4,5 kW, 6,0 kW ja 7,5 kW
(CP-RM-35 / CP-RM-45 / CR-RM-60 / CP-RM-75)
Mittayksikkö mm



4.3. Asennus saunahuoneen seinään

Huomaa kuva 1, kuva 2, kuva 3 ja kuva 4 (sivut 11, 12, 13).

1. Kiinnitä asennuslista **[1]** seinään vaakasuoraan oheisilla puuruuveilla **[2]**. Huomaa tällöin kiukaan suojaetäisyydet kuvassa 1.
2. Aseta kiuas **[3]** asennuslistaan ylhäältä alaspäin. Varmista, että kiuas on samassa tasossa asennuslistan kanssa.
3. Kiinnitä kiuas **[3]** oheisella varmistusruuvilla **[4]** asennuslistaan **[1]**.

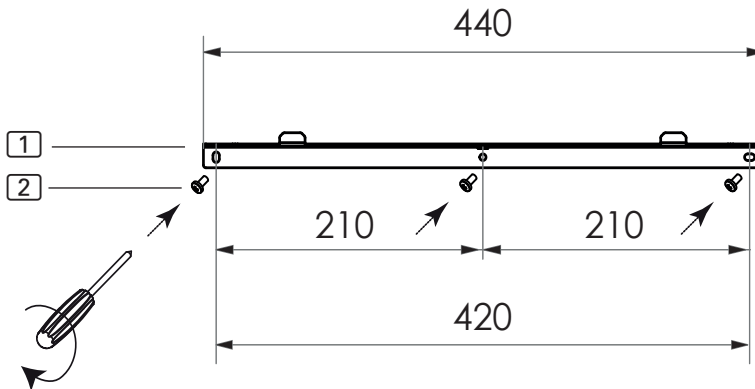


VAROITUS!

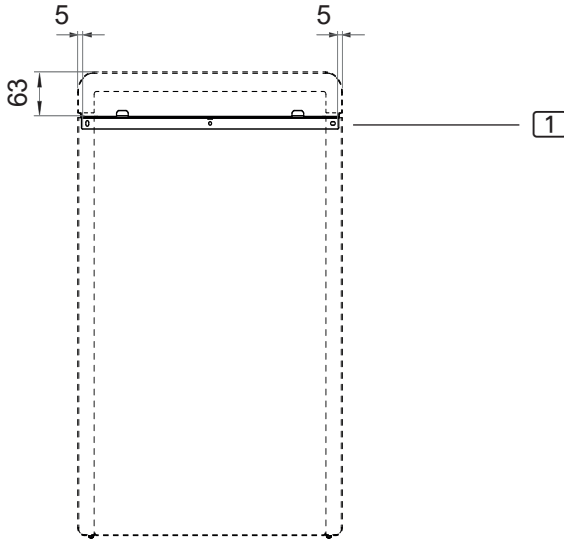
Palovaara

- Kiinnitä ja varmista kiuas oheisella varmistusruuvilla 4 niin, ettei se pääse liikauttamaan asennostaan.

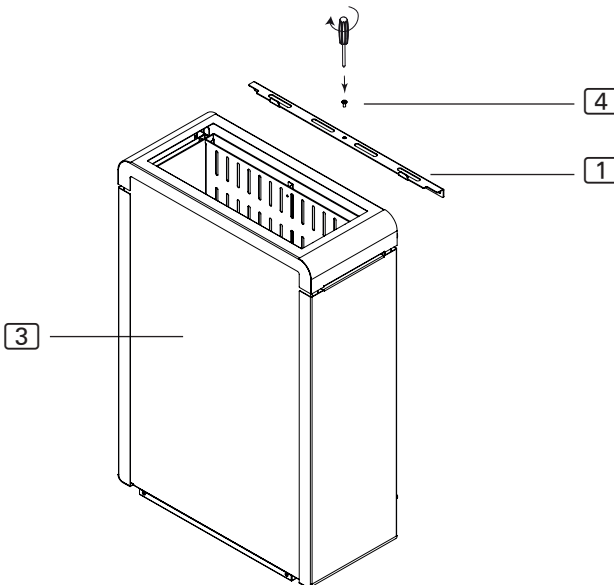
Kuva 2 Asennuslista Concept R mini
Mittayksikkö mm



Kuva 3 Concept R mini -asennuslistan paikka
Mittayksikkö mm



Kuva 4 Concept R mini -kiukaan varmistus (asennuslista)



4.4. Asennus jalustalla (valinnainen)

Huomaa **Kuva 1**, **Kuva 5**, **Kuva 6** (sivu 11, 14, 15).

1. Kiinnitä jalusta **1** oheisilla ruuveilla **2** kiukaan alapuolelle. Varmista, että pyöreä syvennys on höyrystimen puolella.
2. Kiinnitä jalusta oheisilla ruuveilla lattiaan (**Kuva 6**). Lattian ominaisuuksista riippuu, käytetäänkö oheisia puuruuveja vai proppuja ja niihin kuuluvia ruuveja. Huomaa tällöin kiukaan vähimmäisetäisyydet, ks. **Kuva 1**.

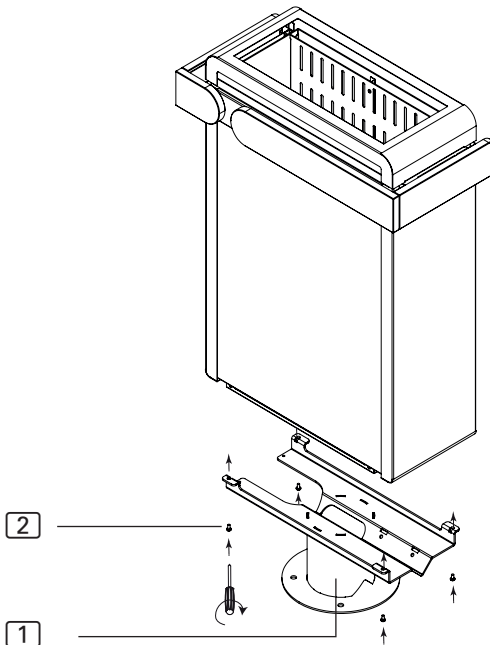


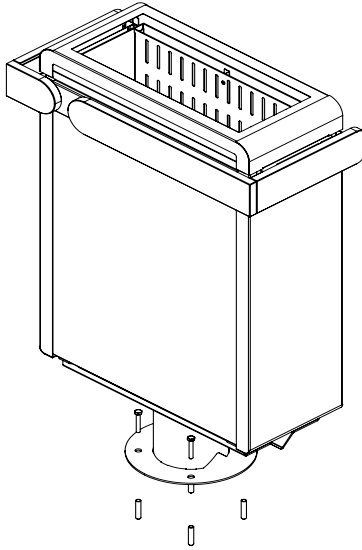
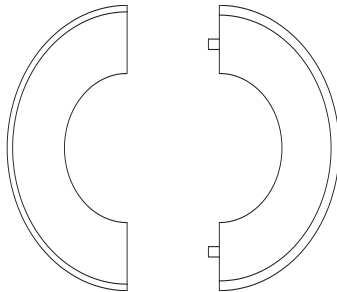
VAROITUS!

Palovaara

- Kiinnitä jalusta-asenteinen kiuas suoraan tarpeeksi kiinteään alustaan, esim. pohjaan, jolle saunahuone on rakennettu – Ei saunalattian päällysmateriaaliin.

Kuva 5 Jalustan asennus Concept R mini

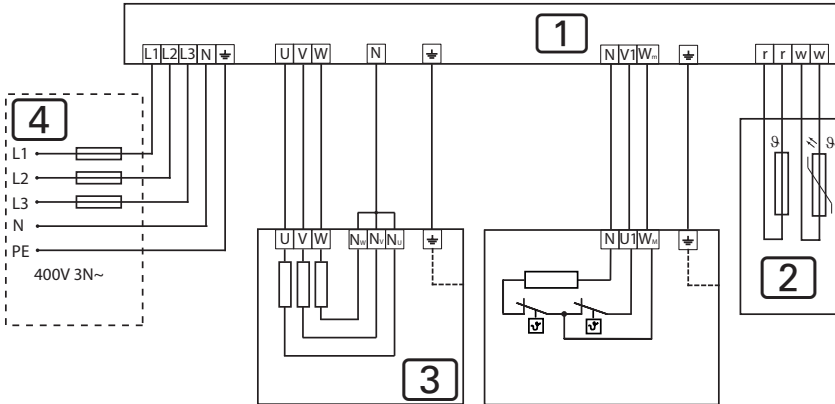


Kuva 6 Concept R mini -kiukaan kiinnitys jalustalla**Kuva 7** Jalustan puukatteen asennus (valinnainen)

Peitä jalustan ruuvit asettamalla kaksi katerenkaan puoliskoja jalustan ympärille ja painamalla ne tiukasti yhteen.

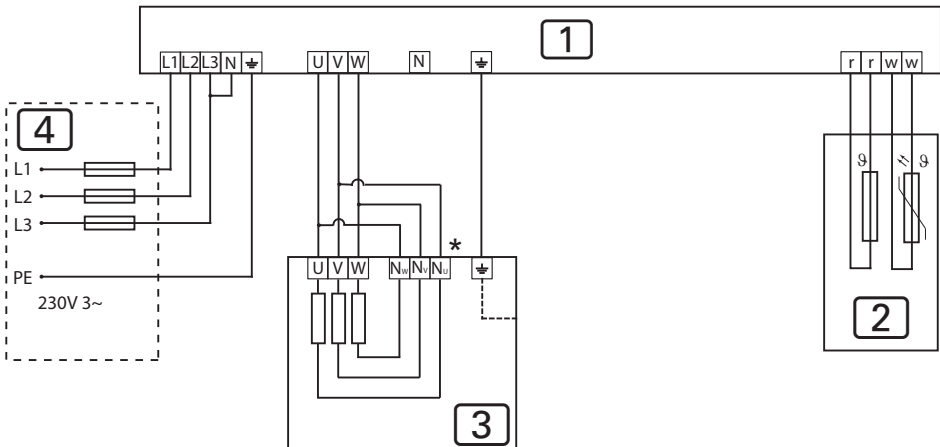
4.5. Liitântäkaavio, malli 400V 3N~

Kuva 8 Liitântäkaavio Concept R mini
3,5 kW, 4,5 kW, 6,0 kW ja 7,5 kW
(CP-RM-35 / CP-RM-45 / CR-RM-60 / CP-RM-75)



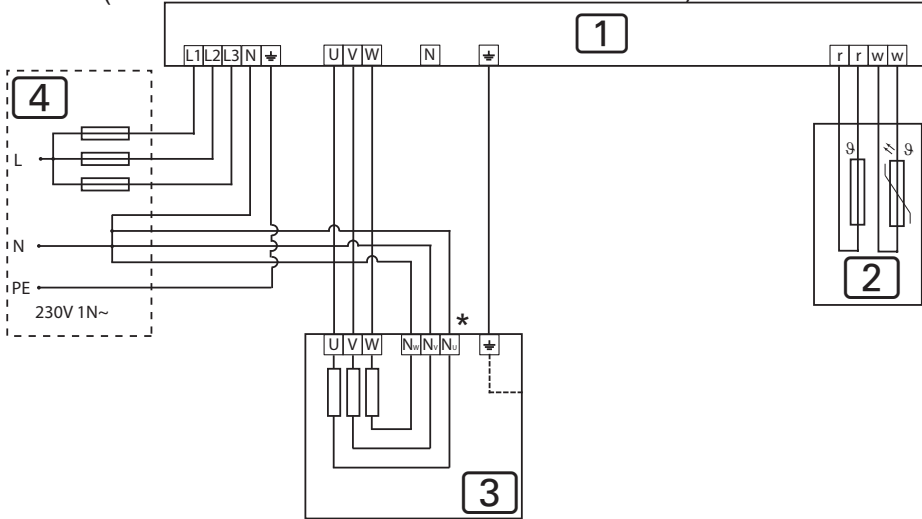
4.6. Liitântäkaavio, malli 230V 3~

Kuva 9 Liitântäkaavio Concept R mini
3,5 kW, 4,5 kW ja 6,0 kW
(CP-RM-35 / CP-RM-45 / CR-RM-60)



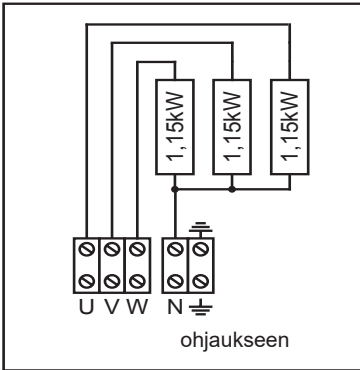
4.7. Liitântäkaavio, malli 230V 1N~

Kuva 10 Liitântäkaavio Concept R mini
3,5 kW, 4,5 kW, 6,0 kW ja 7,5 kW
(CP-RM-35 / CP-RM-45 / CR-RM-60 / CP-RM-75)

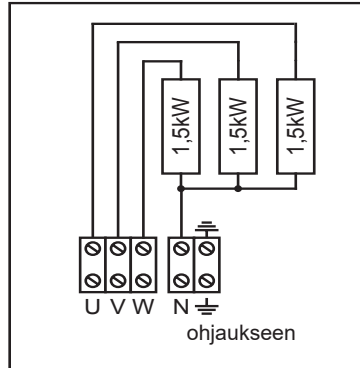


- 1 ohjauskeskus
- 2 ylikuumentumissuojalla varustettu lämpötila-anturi
- 3 kiuas
- 4 sähkönsyöttö
- * Kuparisilloituksen poistaminen

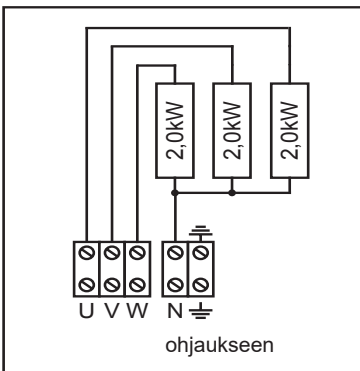
4.8. Johdotuskaaviot



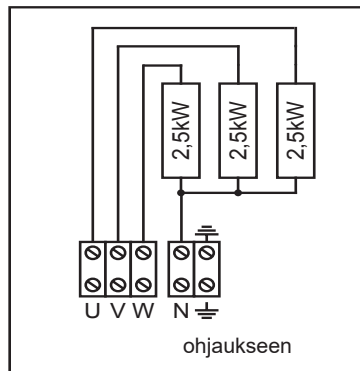
CP-RM-35
3,45 kW



CP-RM-45
4,5 kW



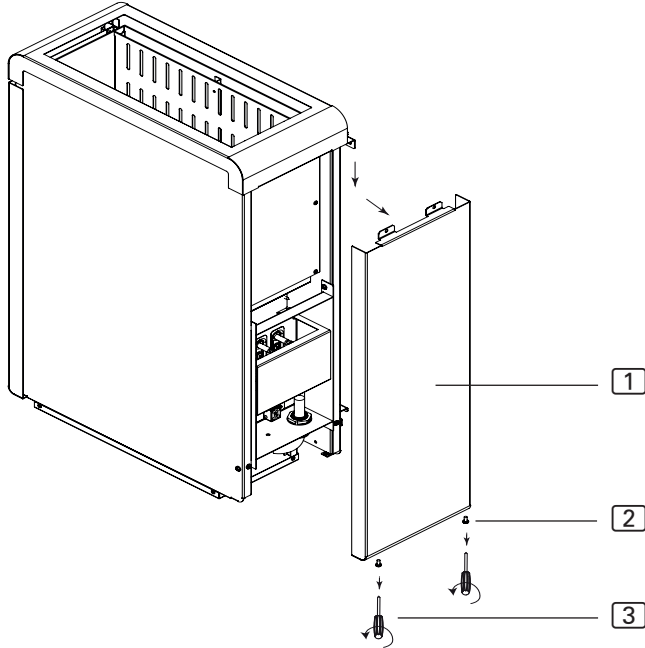
CP-RM-60
6,0 kW



CP-RM-75
7,5 kW

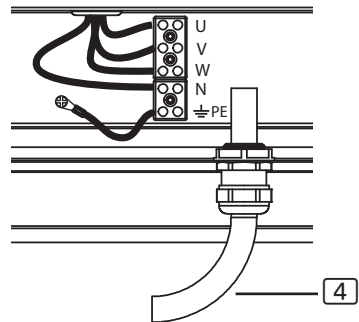
4.9. Sähköliitântä

1. Avaa ruuvit [2] ja [3] ruuvimeisselillä.
2. Irrota katepelti [1].



Liitântä Concept R mini 3,5 kW, 4,5 kW, 6,0 kW ja 7,5 kW (CP-RM-35 / CP-RM-45 / CR-RM-60 / CP-RM-75)

1. Vedä liitântäjohto läpiviennin [4] kautta.
2. Liitä liitântäjohdon johtimet liittimiin U – V – W – N – PE sekä sopiviin saunaohjaimen liittimiin. Noudata tällöin ohjauskeskuksen asennusohjetta.
3. Kiinnitä katepelti [1] uudelleen kiukaaseen.



5. Käyttöönotto

5.1. Kivitiilan täyttäminen

**VAROITUS!*****Ylikuumentuminen aiheuttaa palovaaran***

Jos kiuasta käytetään ilman kiviä, saunahuoneen seinät kuumenevat voimakkaasti. Se voi aiheuttaa tulipalon.

- Kiuasta EI KOSKAAN saa käyttää ilman kiuaskiviä.
-

Kiukaasi tarvittavan kivimäärän näet kappaleesta **11. Tekniset tiedot** (katso sivu **26**).

1. Pese kiuaskivet ennen käyttöä huolellisesti harjalla ja vedellä. Älä käytä puhdistuslisäaineita.
2. Ennen kuin ladot kivet kiukaaseen, tarkista, että kivien joukossa ei ole vieraita esineitä ja poista kaikki pakkausjäänteet.
3. Lado kiuaskivet kivitilaan. Lado kiuaskivet väljästi, jotta ilma pääsee kiertämään vapaasti.
4. Varmista, etteivät kiuaskivet tule kivitilan reunan yli.

5.2. Ensimmäinen lämmityskerta

**VARO!*****Ensilämmityksen aikana syntyy savua ja hajua***

Uusissa lämmitysvastuksissa on valmistusprosessista jääneitä käyttöaineita. Nämä tuhoutuvat ensimmäisellä lämmityskerralla. Samalla syntyy savua ja epämiellyttävää hajua. Näiden höyryjen tai savun hengittäminen on terveydelle haitallista.

Kun otat kiukaan **käyttöön ensimmäistä kertaa** ja kun **kiukaan lämmitysvastukset on vaihdettu**, tee seuraavat työvaiheet. Näin estät ensimmäisen lämmityskerran yhteydessä syntyvien höyryn ja savun aiheuttamat terveyshaitat.

1. Valitse ohjauskeskuksesta mahdollisimman korkea lämpötila.
2. Lämmitä kiuasta puoli tuntia.
ÄLÄ OLESKELE tänä aikana saunahuoneessa.
3. Tuuleta saunahuone hyvin ensilämmityksen jälkeen.
4. Jos seuraavan lämmittämisen aikana ei muodostu enää savua tai hajua, voit aloittaa saunomisen.
Jos savua tai hajua syntyy, poistu saunahuoneesta välittömästi ja toista ensimmäinen lämmittäminen ja tuuletus.

6. Käyttö



VAROITUS!

Palovaara

Kuumalla kiukaalla olevat tulenarat esineet syttyvät ja aiheuttavat tulipalon.

- ÄLÄ KOSKAAN laske tulenarkoja esineitä kiukaalle.
 - Varmista, että kiukaalla EI ole tulenarkoja esineitä, kun otat kiukaan käyttöön.
-

6.1. Kiukaan käyttö

Kiuasta käytetään ohjauskeskuksella. Tietoa ohjauskeskuksen käytöstä saat käytettävän laitteen käyttöohjeesta. Huomaa, että Concept R mini -kiuas soveltuu ainoastaan ohjauskeskuksille, joissa ei ole etäkännistystoimintoa.

6.2. Löylyn heittäminen

Saunomisen loppupuolella voit heittää löylyä. Kaada vettä kauhalla kiuaskivien päälle. Vesi höyrystyy, ja ilmankosteus saunahuoneessa kohoaa.

Huomaa löylynheitossa seuraavat kohdat:

- Käytä ainoastaan vesijohtovettä. Merivesi, hyvin kalkkipitoinen ja kloorattu vesi voivat vaurioittaa kiuasta.
- Käytä ainoastaan sellaisia tuoksuja ja eteerisiä öljyjä, jotka ovat nimenomaan tarkoitettu saunan löylyveteen. Huomaa löylyaineiden valmistajien ohjeet pakkauksissa.
- Älä kaada vettä kiville liian nopeasti. Muutoin vesi ei höyrysty kokonaan.

7. Huolto

7.1. Pidemmät käyttökatkokset

Kosteissa ympäristöolosuhteissa tai käyttökatkosten kestäessä pitkään lämmitysvastuksiin kertyy kosteutta. Tämä on fyysikaalinen ilmiö, eikä siis valmistajan virhe. Lämmitysvastusten kosteus voi aiheuttaa FI-suojakytkimen laukeamisen. Jos näin tapahtuu, ota yhteyttä sähköalan ammattilaiseen vian korjaamiseksi (katso kappale **9. Asentajan ongelmanratkaisuja**).



Lämmitä kiuasta 5-6 viikon välein noin 15 minuutin ajan. Näin estät veden kertymisen lämmitysvastuksiin pidempien käyttökatkosten aikana.

7.2. Kiukaan puhdistaminen

Varmista, että tuuletusaukoissa ei ole nukkaa ja pölyä. Näin estät kiukaan ilman kierron rajoittumisen ja laitteen ylikuumentumisen.

7.3. Kiuaskivien vaihtaminen

Löylyvesi ja suuret lämpötilavaihtelut kuormittavat kiuaskiviä. Kiuaskivet voivat kulua ja murentua.

Tarkasta kiuaskivet säännöllisesti ja vaihda ne vähintään kerran vuodessa.



VAROITUS!

Ylikuumentuminen aiheuttaa palovaaran

Jos kiuasta käytetään ilman kiviä, saunahuoneen seinät kuumenevat voimakkaasti. Se voi aiheuttaa tulipalon.

- Kiuasta EI KOSKAAN saa käyttää ilman kiuaskiviä.

1. Poista vanhat kiuaskivet.
2. Puhdista kivitila kalkista, pölystä ja muusta liasta.
3. Pese kiuaskivet ennen käyttöä huolellisesti harjalla ja vedellä. Älä käytä puhdistuslisäaineita.
4. Ennen kuin ladot kivet kiukaaseen, tarkista, että kivien joukossa ei ole vieraita esineitä ja poista kaikki pakkausjäänteet.
5. Lado kiuaskivet kivitilaan. Lado kiuaskivet väljästi, jotta ilma pääsee kiertämään vapaasti.
6. Varmista, etteivät kiuaskivet tule kivitilan reunan yli.

8. Hävittäminen



- Hävitä pakkausmateriaali voimassaolevien määräysten mukaisesti.
- Laiteromussa on kierrätettäviä materiaaleja, mutta myös haitallisia aineita. Älä siis missään tapauksessa hävitä laiteromua sekajätteen mukana, vaan hävitä laite paikallisten voimassa olevien määräysten mukaisesti.

9. Asentajan ongelmanratkaisuja

Lämmitysvastusten lämmittäminen

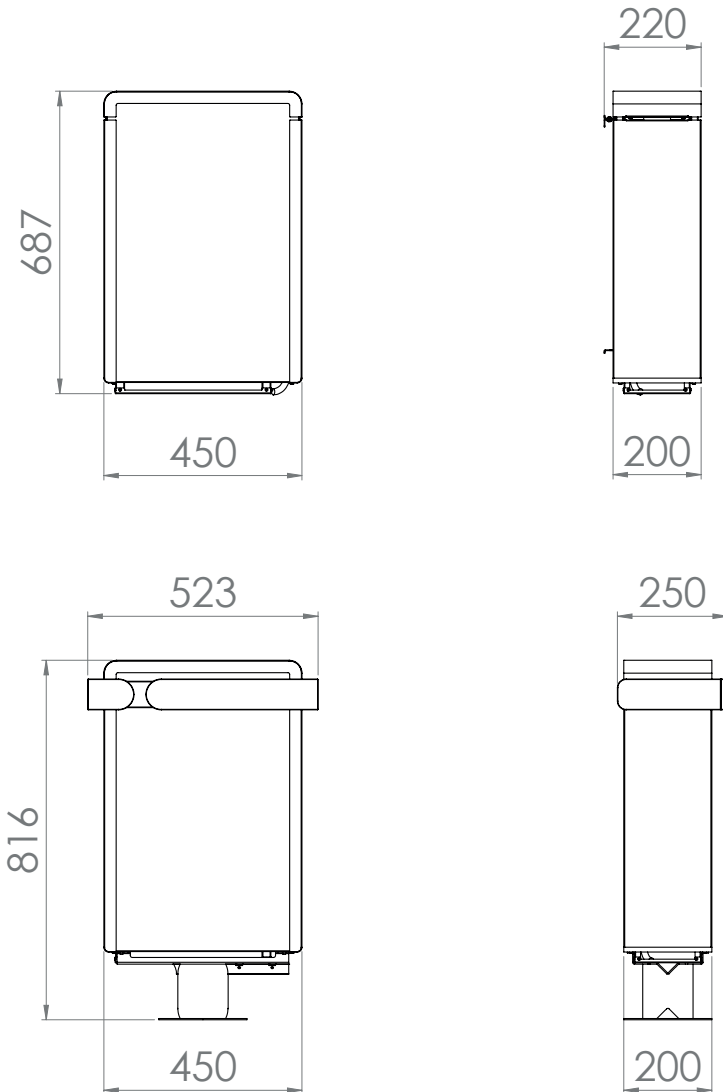
Kosteissa ympäristöolosuhteissa tai käyttökatkosten kestäessä pitkään lämmitysvastuksiin voi kertyä kosteutta. Tämä on fyysikaalinen ilmiö, eikä siis valmistajan virhe. Lämmitysvastusten kosteus voi joissain tilanteissa aiheuttaa FI-suojakytkimien laukeamisen.

Jos näin tapahtuu, kiuasta täytyy lämmittää sähköalan ammattilaisen valvonnassa. FI-suojakytkimien suojatoiminto on tällöin kytkettävä pois päältä. Lämmitys kestää noin 10 minuuttia. Sen jälkeen FI-kytkimen suojatoiminto on kytkettävä jälleen päälle.

Jos ongelma jatkuu, käänny laitteen toimittajan puoleen.

10. Mitat

Kuva 11 Mitat Concept R mini 3,5 kW, 4,5 kW 6,0 kW ja 7,5 kW
(CP-RM-35 / CP-RM-45 / CR-RM-60 / CP-RM-75)
Mittayksikkö mm



11. Tekniset tiedot

Mitat, katso **Kuva 11**.

Tuote- numero	Teho [kW]	Sauna- huoneen tilavuus [m ³]	Tuuletusaukon vähimmäiskoko [mm]	Paino ilman kiviä [kg]
CP-RM-35	3,45	3 - 5	350 x 20	19,5
CP-RM-45	4,5	4 - 6	350 x 25	19,5
CP-RM-60	6,0	5 - 8	350 x 30	19,5
CP-RM-75	7,5	7 - 11	350 x 35	19,5

Tuote- numero	Kivimäärä [kg]	Varmistin [A]	Syöttö
CP-RM-35	noin 15	3 x 10	400 V AC 3N~ 50/60 Hz 230 V AC 1N~ 50/60 Hz 230 V AC 3~ 50/60 Hz
CP-RM-45	noin 15	3 x 10	400 V AC 3N~ 50/60 Hz 230 V AC 1N~ 50/60 Hz 230 V AC 3~ 50/60 Hz
CP-RM-60	noin 15	3 x 10	400 V AC 3N~ 50/60 Hz 230 V AC 1N~ 50/60 Hz 230 V AC 3~ 50/60 Hz
CP-RM-75	noin 15	3 x 16	400 V AC 3N~ 50/60 Hz 230 V AC 1N~ 50/60 Hz

Tuote- numero	Lämmitysvastukset
CP-RM-35	3 x CPRM115 (1-043-621)
CP-RM-45	3 x SCA150 (1-028-518)
CP-RM-60	3 x SCA200 (1-028-503)
CP-RM-75	3 x CPRM250 (1-042-346)





sentiotec GmbH | Division of Harvia Group | Wartenburger Straße 31, A-4840 Vöcklabruck
T +43 (0) 7672/22 900-50 | F -80 | info@sentiotec.com | www.sentiotec.com