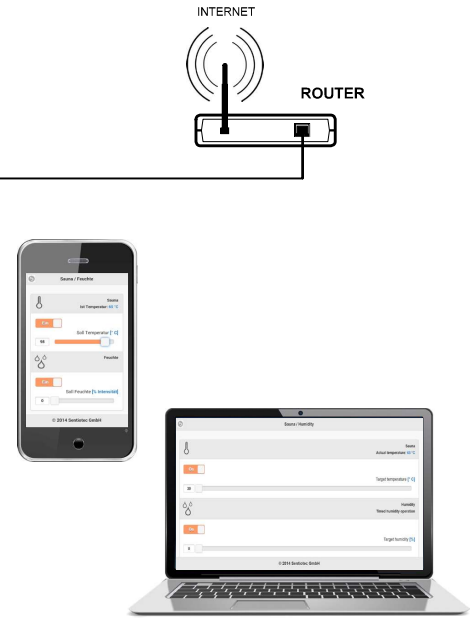
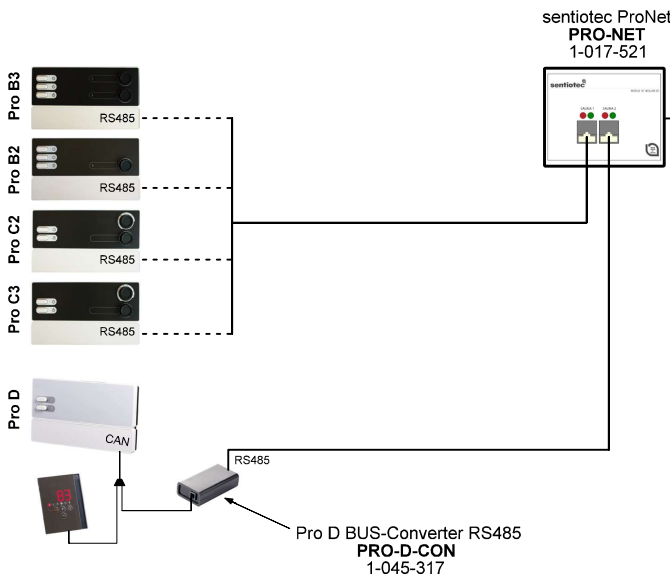


INTERNET

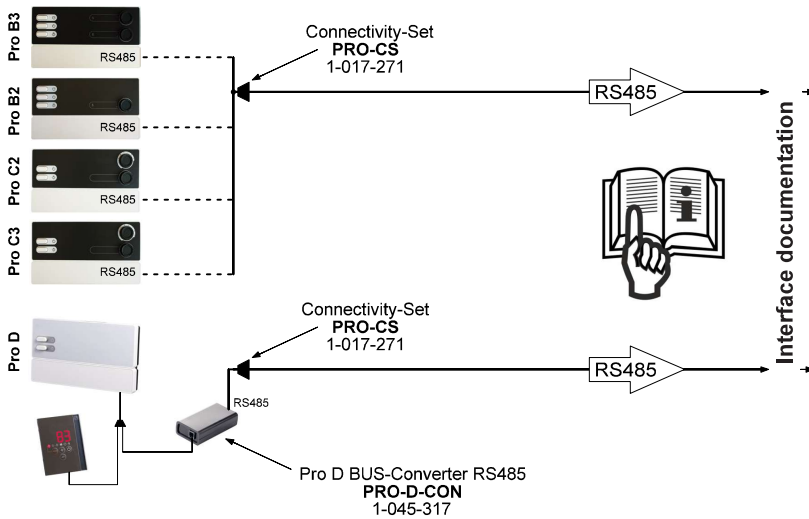
SENTIOTEC

CUSTOMER



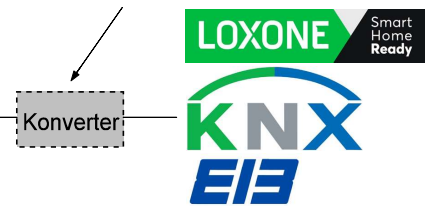
DOMESTIC BUS

Based on RS485 (direct connection):



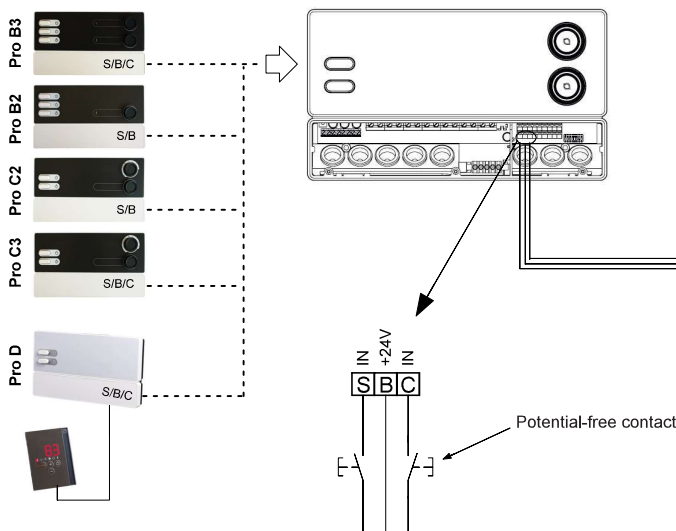
- PROFI[®] BUS**
- Modbus**
- HomeMatic**
- SMART-BUS G4**
- MODULANK**
- etc.

Only with interface converters:



REMOTE START

ONLY ON/OFF



Simple switch:



GSM module:



Domestic bus system:



DOMESTIC BUS